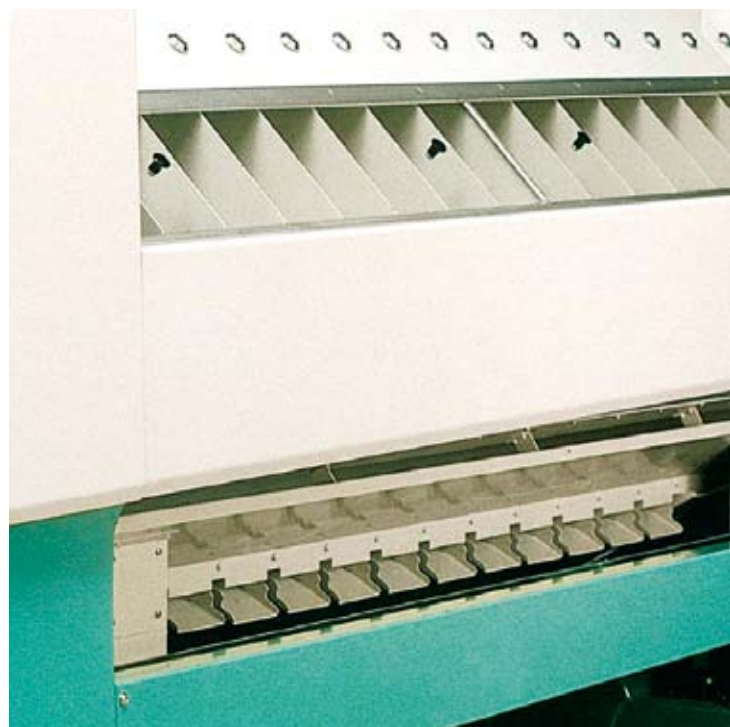


# Purifier Puromat

MQRF



# High yield. First-class semolina.



**Purifier Puromat MQR.**  
For clean, first-class semolina.

## **Application**

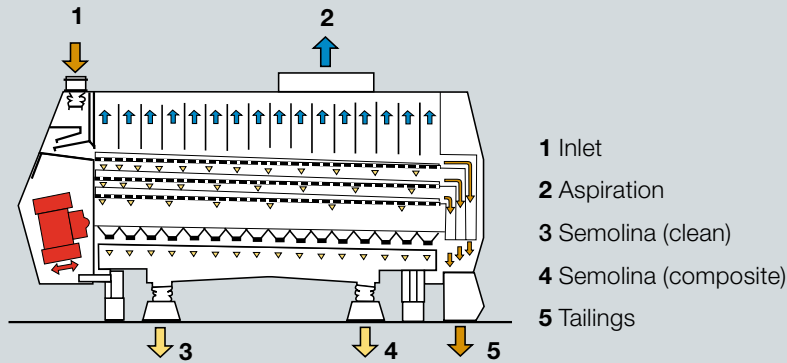
The purifier is applied for purifying and grading of semolina and middlings in semolina, flour and maize (corn) mills.

## **Mode of operation**

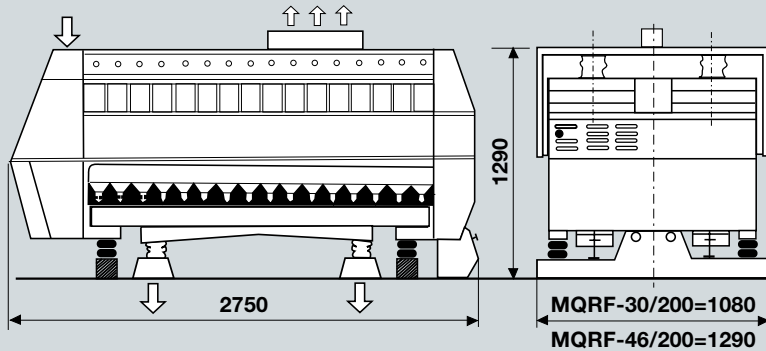
The stock flows at a uniform rate through the feed gate and is spread across the entire sieve width. The sieve box is equipped with 3 sieve decks. Air is drawn through the sieves during the sieving operation. In the resulting fluidbed, the lowest-density particles are lifted and then aspirated through the aspiration hood. The hull particles with a low specific gravity tail over the sieves, while the clean semolinas drop through. Depending on the quality requirements, the throughs can be united in the shaking channel.

- High capacity
- Reliable feeding
- Excellent sanitation
- Easy maintenance

# Excellent sanitation. High product quality.



- 1 Inlet
- 2 Aspiration
- 3 Semolina (clean)
- 4 Semolina (composite)
- 5 Tailings



## Features

- High capacity
  - Net sieve width 460 mm
  - 3 sieve decks
  - metal sieve frames with brush cleaners can be retensioned
  - drawers at the overs end for changing sieves
- Optimized aspiration system
  - excellent sanitation
  - easy access for cleaning and adjusting
- Easier maintenance and supervision
  - no lubrication points
  - maintenance-free drive with vibrators
  - variable stroke
  - minimum noise

## Technical data

Type	Drive			2/2 machine		Net sieve width mm	Approx. weights in kg			Volume see- packing m <sup>3</sup>
	kW	rpm 1/min	Stroke mm	Air m <sup>3</sup> /min	Capacity t/h		net	gross	by sea	
<b>MQRF-30/200</b>	2 × 0.18	590	0–9	depending on product		2 × 300	900	1190	1380	6.0
<b>MQRF-46/200</b>	2 × 0.18	590	0–9	depending on product		2 × 460	970	1260	1450	6.6

