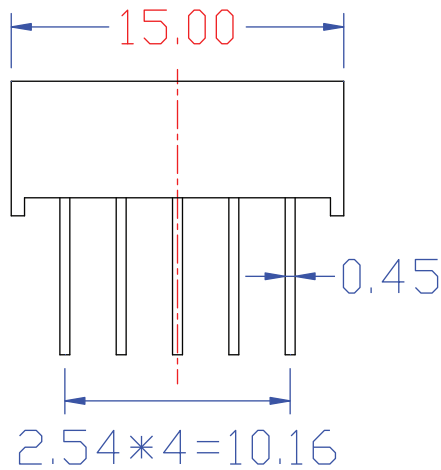
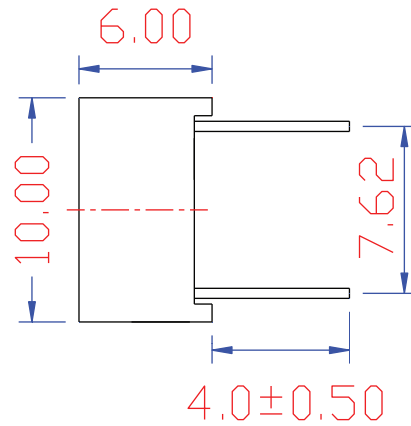
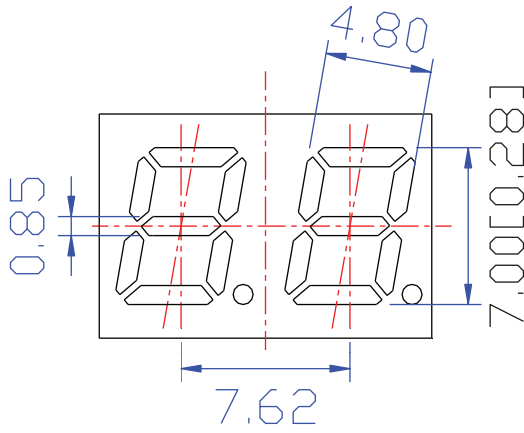
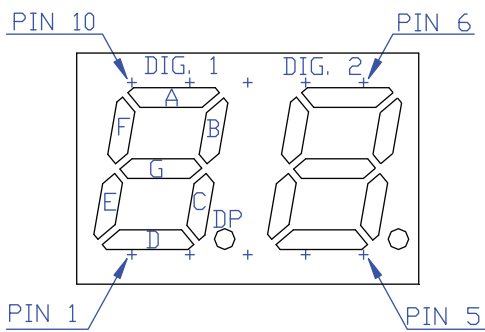


# LB20281 IWH3B-D

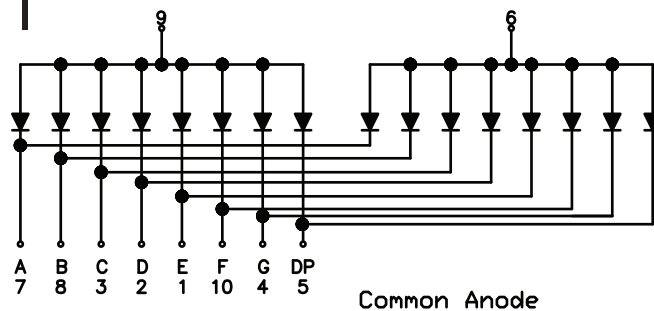


### Features

- 0.28inch digit height
- Low power requirement
- I.C. Compatible
- Easy assembly
- RoHs compliant
- Wide viewing angle
- End stack able
- Black surface
- Yellow segments
- Common Anode



### CODE I



WHITE