

Wire Splices and Terminals

WR-01 Solder Sleeve Wire Splices

Introduction

Solder sleeve discrete wire terminators, including cross-linked polyolefin transparent insulation tube, prefluxed solder ring, meltable adhesive ring. Used for terminating wires to component terminals, such as tabs, connector pins, and switch terminals. Wire connection, fusion, insulation and waterproofing all completed in one step. One piece transparent design, easy inspection and convenient installation.

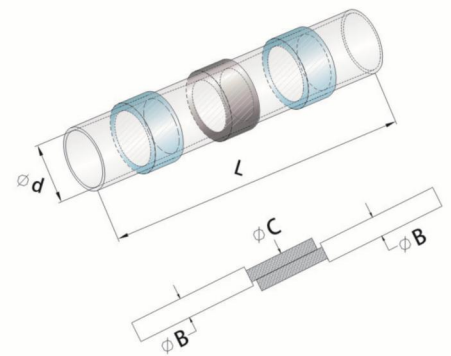
Features

- Operating temperature: -55 to 125°C
- Shrink ratio: 2:1
- Minimum fully recovery temperature: 115°C
- Voltage class: 600V
- Solder complete melting temperature: 150 °C

Dimension

Part No. WR-01	Tube Dimensions (mm)		Wire Dimensions (mm)			Wire Range		Color
	Inner diameter d (min.)	Length L	B (min.)	B&C (max.)	C (min.)	A.W.G	mm ²	
WR-01-11	1.7	26	1.0	1.7	0.76	26-24	0.25-0.34	White
WR-01-12	2.7	40	1.4	2.7	1.2	22-18	0.5-1.0	Red
WR-01-13	4.7	40	2.3	4.7	2.0	16-14	1.5-2.5	Blue
WR-01-14	6.0	40	3.7	6.0	3.4	12-10	4.0-6.0	Yellow

Part No. WR-01	Tube Dimensions (mm)		Wire Dimensions (mm)		Color
	Inner diameter d (nom.)	Length L	Inner diameter	Width	
WR-01-3A	3.0	40	2.8	3.2	Blue
WR-01-5A	5.0	30	4.8	4.2	Blue
WR-01-5B	5.0	21	4.8	3.0	Blue
WR-01-5C	5.0	40	4.8	4.2	Blue
WR-01-7A	7.0	31	7.3	4.2	Blue
WR-01-7B	7.0	20	7.3	3.0	Blue
WR-01-9A	9.0	36.5	9.0	4.5	Blue
WR-01-11A	11.0	34	11.5	4.2	Blue
WR-01-11B	11.0	36.5	11.5	4.2	Blue
WR-01-14A	14.0	47	14.0	4.5	Blue
WR-01-17A	17.0	56	17.8	6.0	Blue



Technical Data

Property	Test Method	Requirement
Tensile Strength	ASTM D2671	≥ 14 MPa
Ultimate Elongation	ASTM D2671	$\geq 400\%$
Heat Aging (150°C/168h)	ASTM D2671	
Tensile Strength		≥ 10 MPa
Ultimate Elongation		$\geq 200\%$
Dielectric Voltage Withstand	AC 2500V, 60s	No breakdown
Heat Aging (150°C/168h)	ASTM D2671	No breakdown, and not less than 50% before aging
Dielectric Voltage Withstand		
Low-temperature flexibility (-40°C/4h)	ASTM D2671	No cracking
Heat shock (200°C/4h)	ASTM D2671	No cracking
Secant modulus 2%	ASTM D2671	≤ 250 MPa
Volume resistivity	ASTM D2671	$\geq 1.0 \times 10^{14} \Omega \cdot \text{cm}$