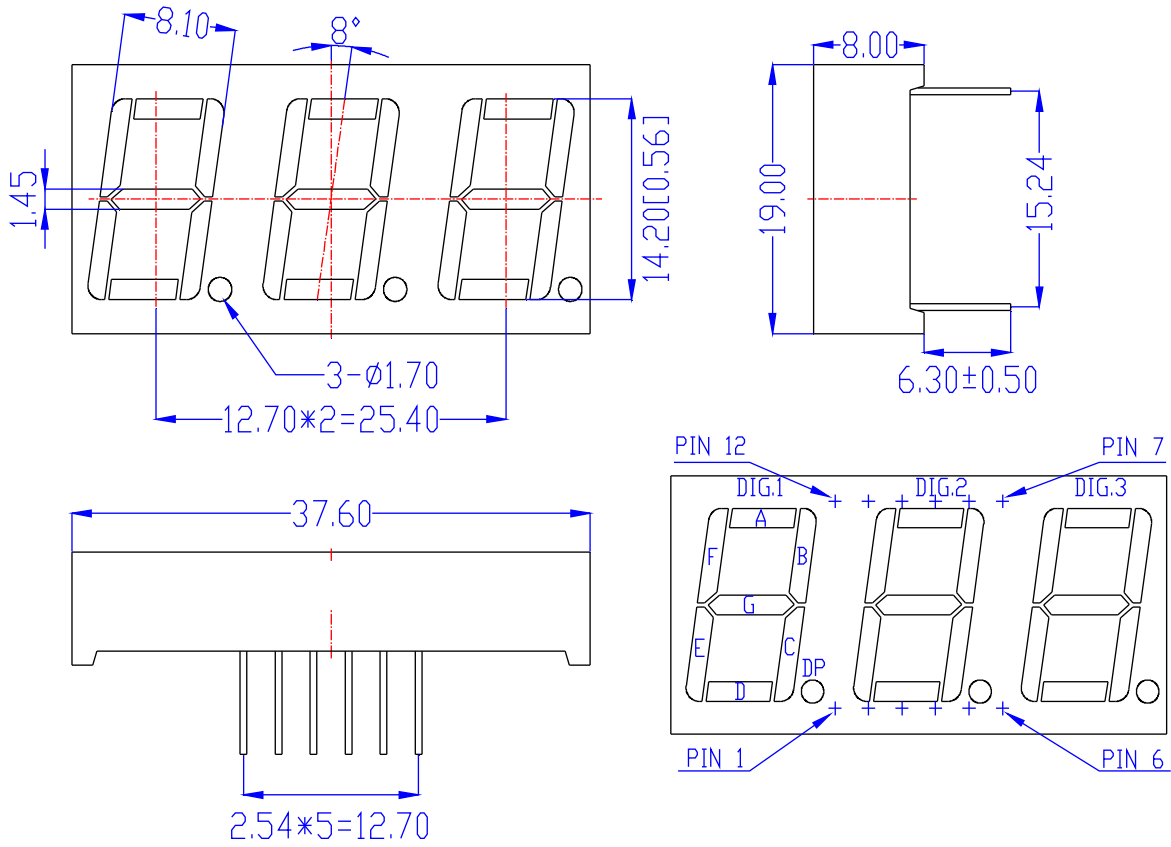


PACKAGE DIMENSIONS INTERNAL CIRCUIT DIAGRAM

LB30561 I G1B-D



VF: 2.8-3.2V/LED

CODE I

