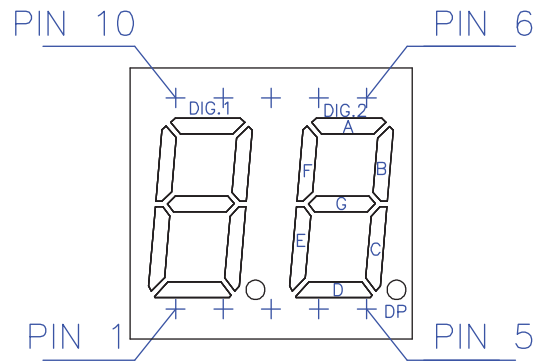
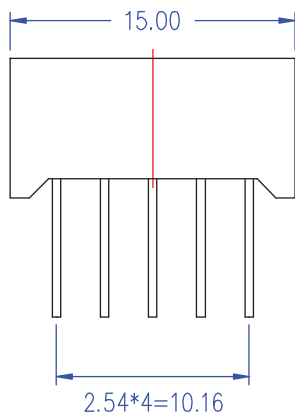
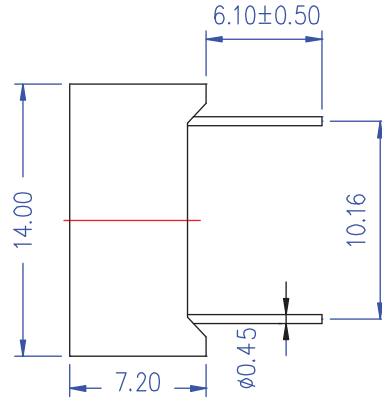
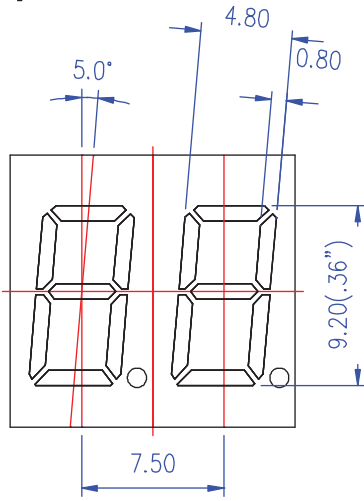
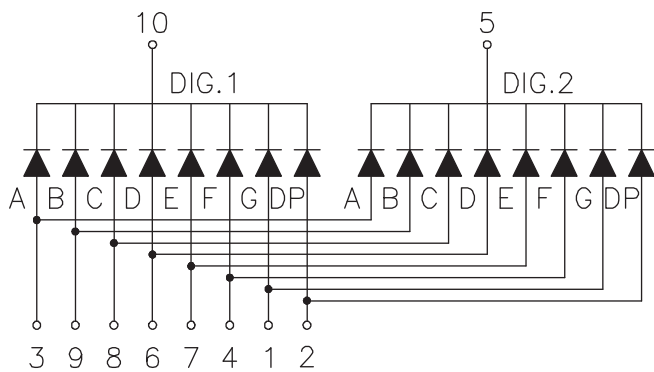


LB20361

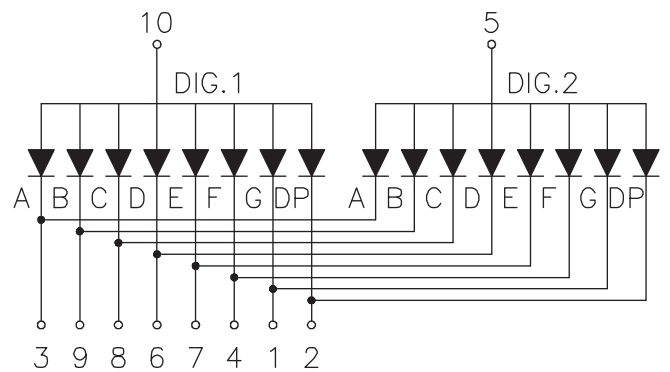


CODE L



Common Cathode

CODE I



Common Anode