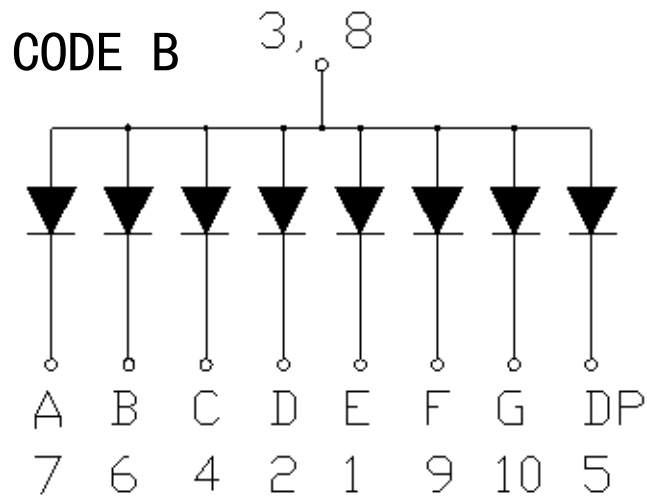
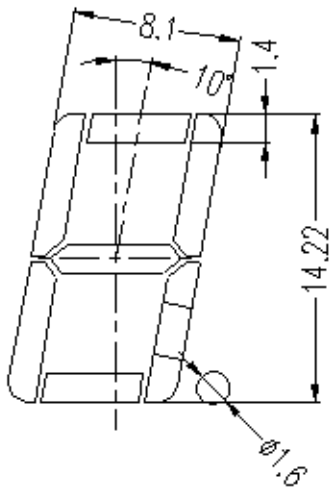
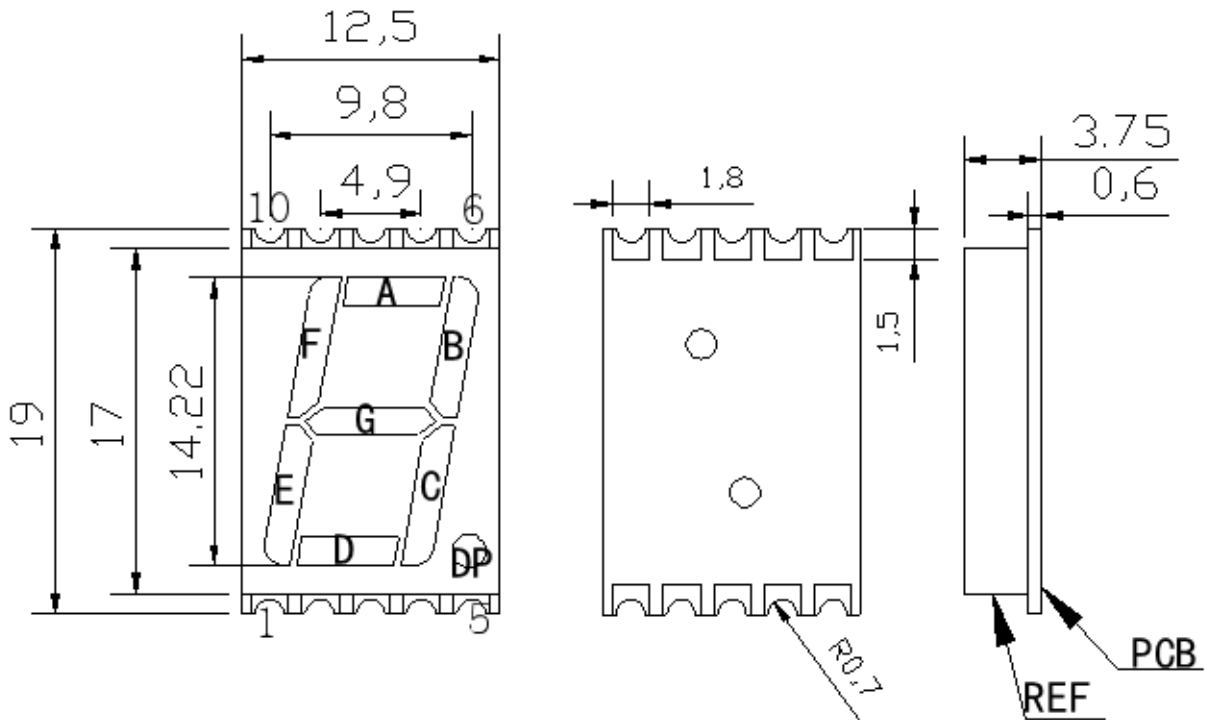


LBS10561



COMMON ANODE