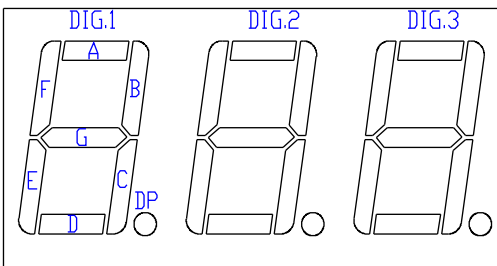
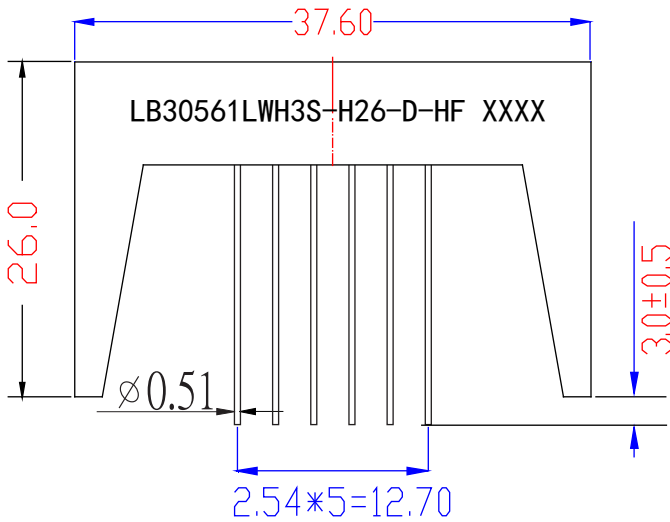
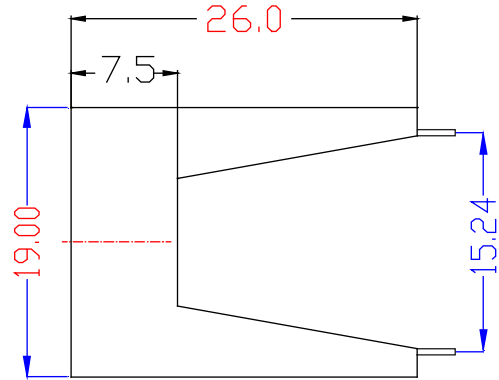
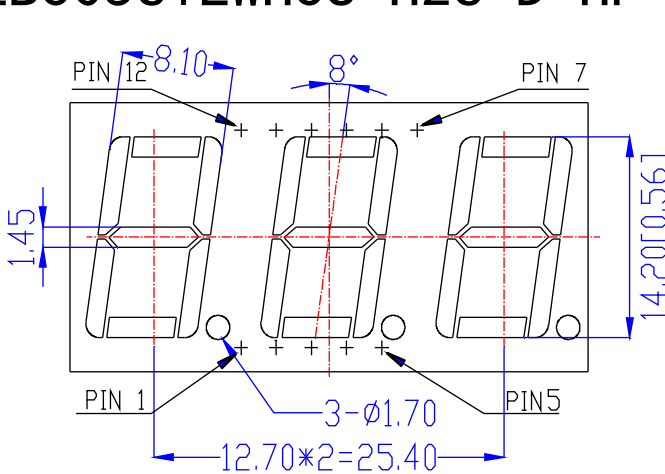
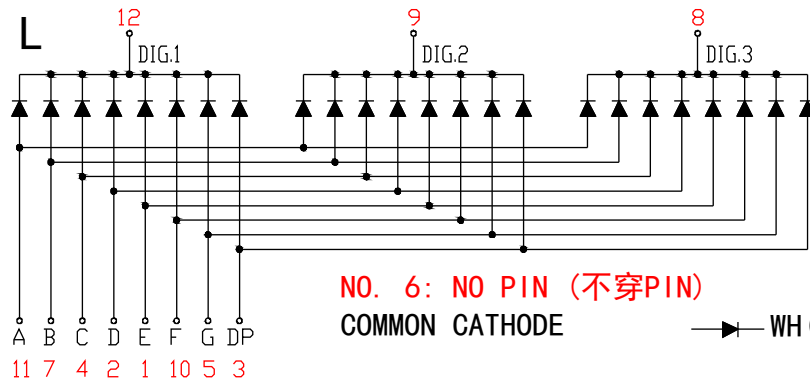


# LB30561LWH3S-H26-D-HF



CODE L



NO. 6: NO PIN (不穿PIN)

COMMON CATHODE

▶ WH (WHITE)