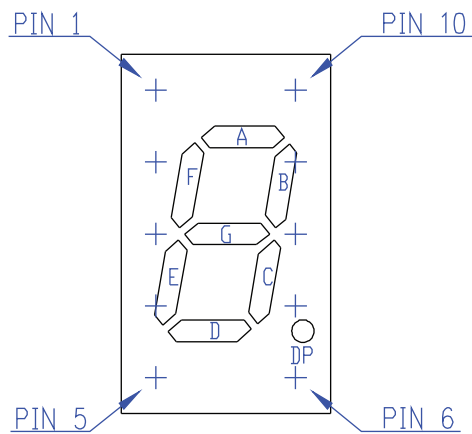
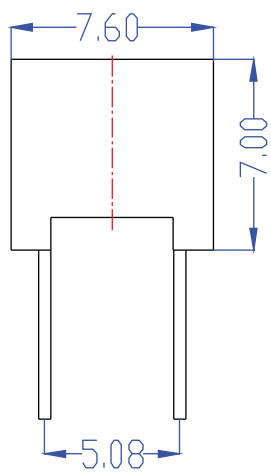
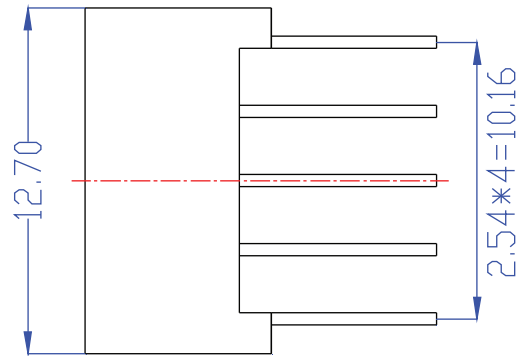
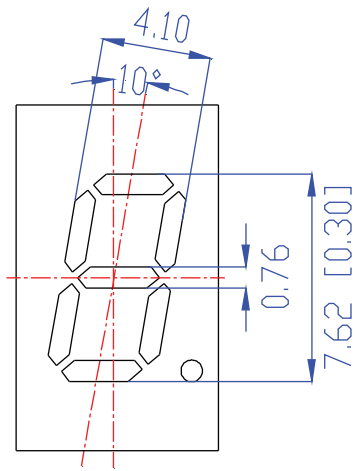
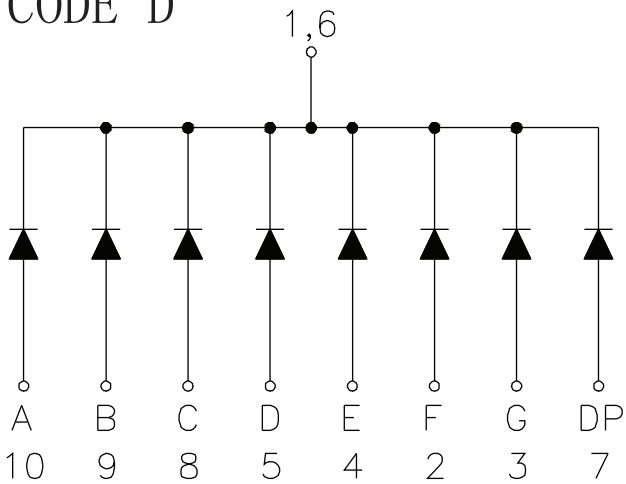


LB10303

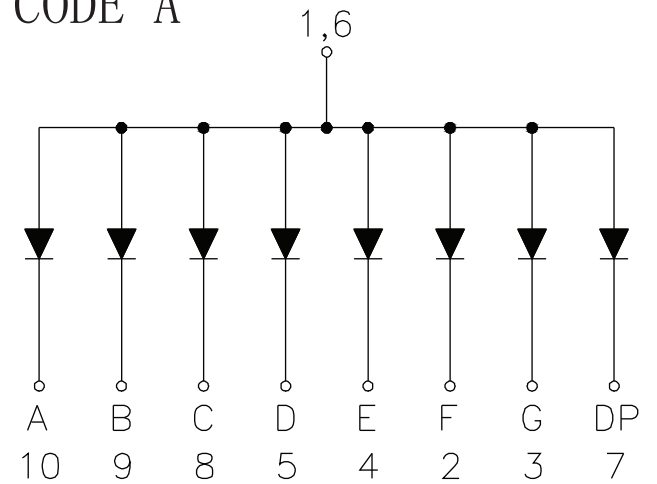


CODE D



Common Cathode

CODE A



Common Anode