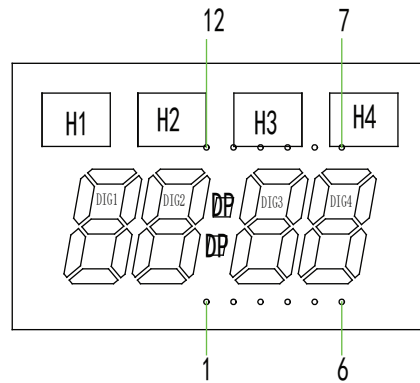
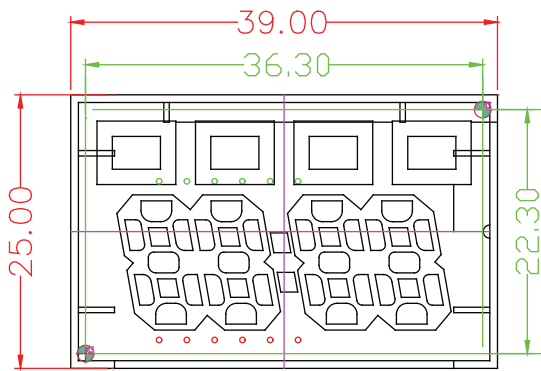
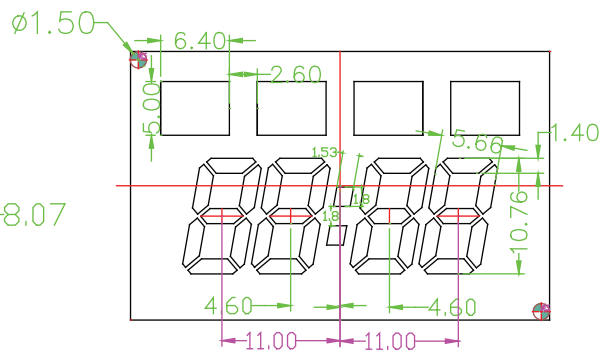
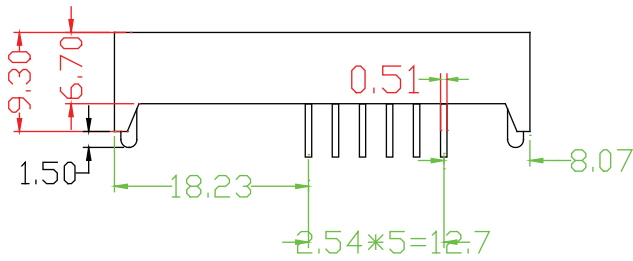
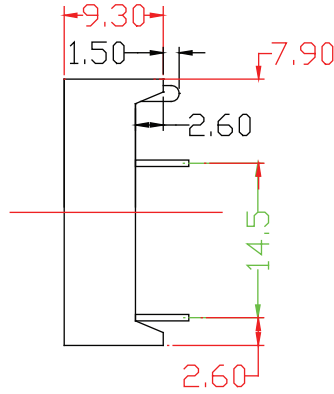
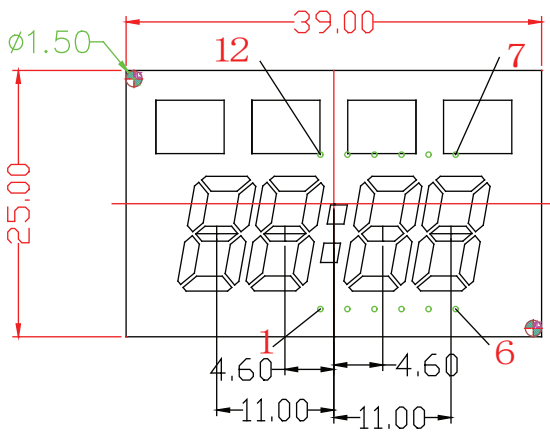


LB3925LWH3B-T2-D 2022-11-28



LB3925-T2

CODE	L	12	11	10	9	8	7	6
DIG1	1	A	B	C	D	E	F	G
DIG2	2	A	B	C	D	E	F	G
DIG3	3	A	B	C	D	E	F	G
DIG4	4	A	B	C	D	E	F	G
	5	H1	H2	H3	H4	DP	DP	

共阴极 W(白)