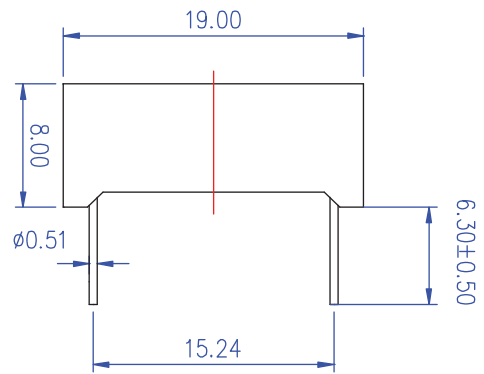
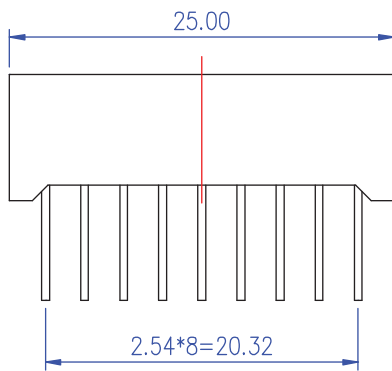
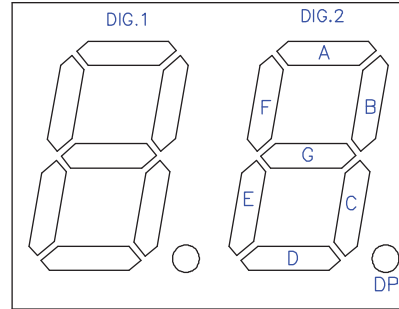
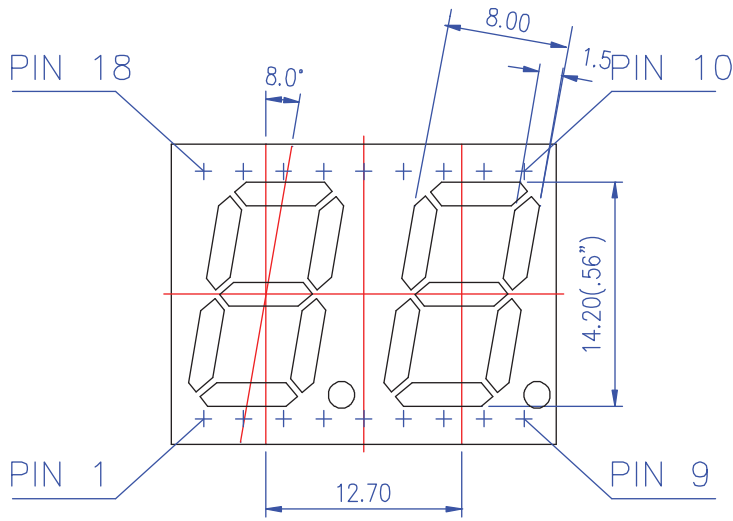
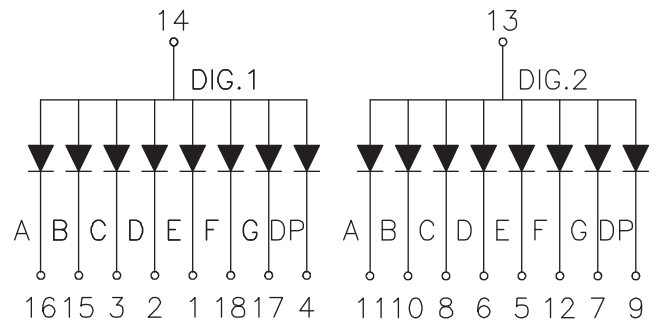
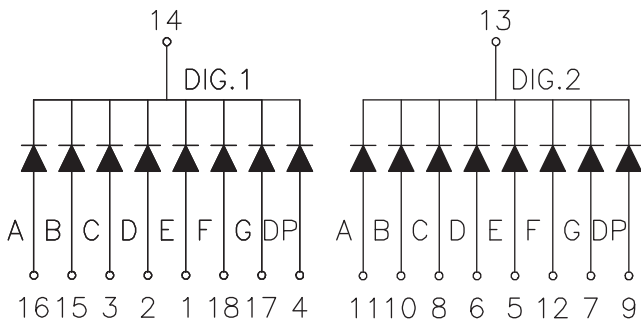


LB20562



CODE D

CODE A



Common Cathode

Common Anode