

# IPC-08A

8.4" LCD 800x600 Industrial Panel PC with touch screen



## Features

- 8.4" SVGA TFT LCD Panel support 800x600 pixels
- 6 mm Aluminum front bezel with resistive touch screen
- Intel Celeron J1900 Quad Core 2.0G CPU
- Supports Windows XP, Win7/Win8/Win10, Linux
- 2\*COM , 1x HDMI, 1xVGA, 4xUSB(1 usb 3.0), 2xLAN, 1x AUDIO, MIC
- 1\* Mini PCIe slot for wifi optional
- Standard DC 12V input (optional Wide range DC 9-36V input)
- Panel ( Flush ) mount with clips
- Standard VESA 100mm holes support stand , wall mount and swing arm

## Specifications

System	
Processor	Intel Celeron J1900 CPU
Chipset	Intel Bay trail SOC
Memory	DDR3 2G RAM(MAX 8G)
Graphic	Intel HD chipset
Storage	HDD 1TB (SSD optional)
Ethernet	2 x 100/1000 LAN ports
Vedio	1 x VGA
Audio	1x Mic-in, 1x Line-out
USB Port	4 x USB2.0
Serial Port	2*COM (1* RS232,1*RS422/485)
Keyboard/Mouse ports	2x PS/2
Parallel ports	1 x LPT (SPP/EPP/ECP port)
Power switch	1 x Power Switch
Expansive Slot	1 x Mini PCIe
Power supply	1 x DC input terminal connector
Construction	Front aluminum bezel and steel chassis

LCD Panel	
Display Type	8.4" SVGA TFT LCD(LED backlight)
Resolution	800 x 600
Max.color	16.2M
Luminance	250 cd/m2
View Angle	160°(H) , 140°(V)
Pixel Pitch	0.213 x 0.213 mm
Contrast Ratio	600:1
Response Time	30 ms
LCD MTBF	50, 000hrs

Touchscreen	
Type	Resistive Touchscreen with internal USB interface controller
Resolution	Continuous
Light Transmission	80% or more
Surface hardness	3H
Operating Force	≤100g
Life Expectancy	35 Millions

# IPC-08A

## Mechanical and Environmental

Dimensions (WxHxD)	248.8 x 196.8 x 70mm
Weight	Net: 4kg , Gross:5.6 kg
Operating temperature	32 °F~113 °F (0 °C to 45°C)
Storage temperature	-4 °F~140 °F (-20 °C to 60 °C)
Storage humidity	10% to 90% non-condensing
Anti-Vibration	17HZ-500 HZ 1G PTP
Anti-Shock	1G / peak( 11m sec)

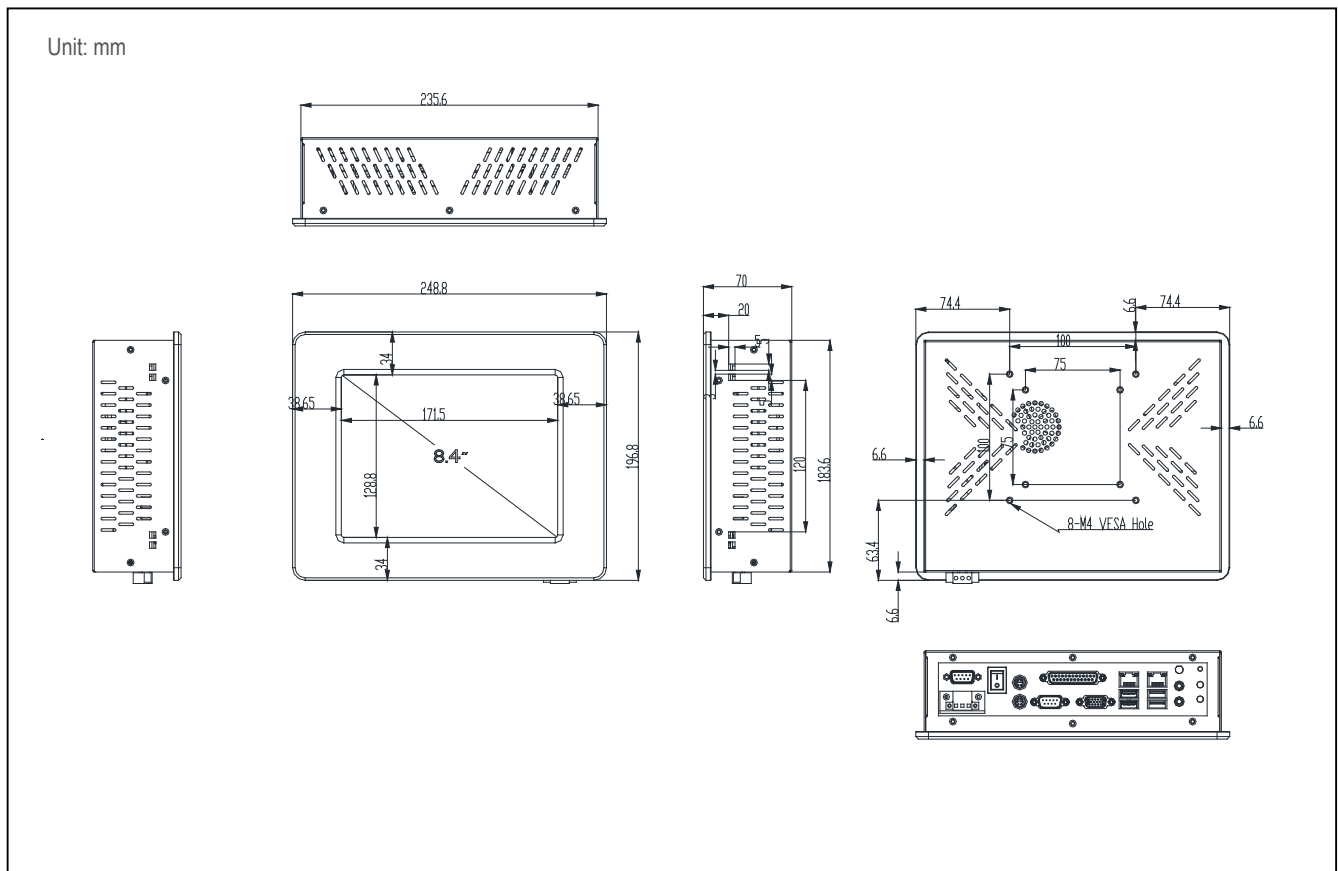
## Power Specifications

Input	100~240VAC,50/60Hz, external ac adapter
Output	DC12V, output 23.5W

## Ordering informations

IPC-08A	8.4 inches industrial panel PC, with Intel J1900 Processor, 2G RAM, 1TB HDD, 2xCOM(1* RS232,1*RS485), 1x LPT, 2x PS/2, 1xVGA, 4xUSB, 2xLAN, 1x Audio, MIC, Resistive Touch Screen, 12V power adapter
IPC-08AL	IPC-08A + Mini-PCIE wireless Lan card with antenna

## Dimensions Diagram



Touch screen PC