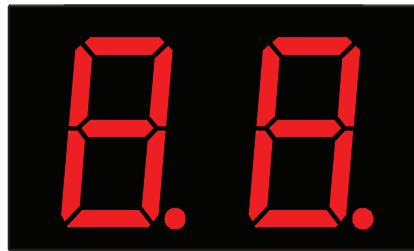
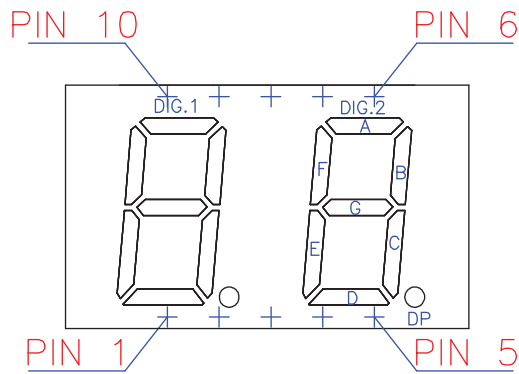
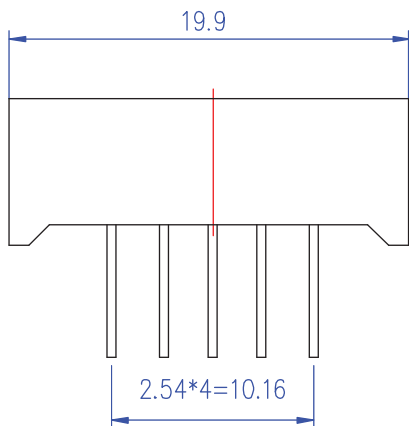
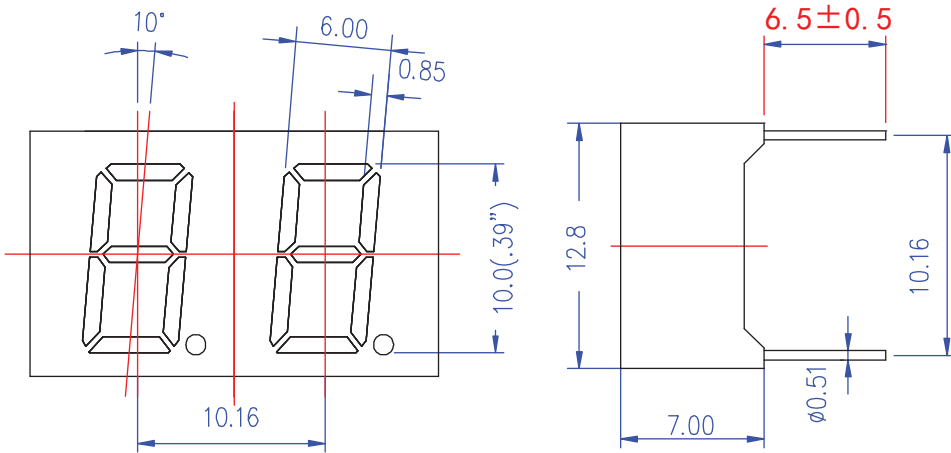
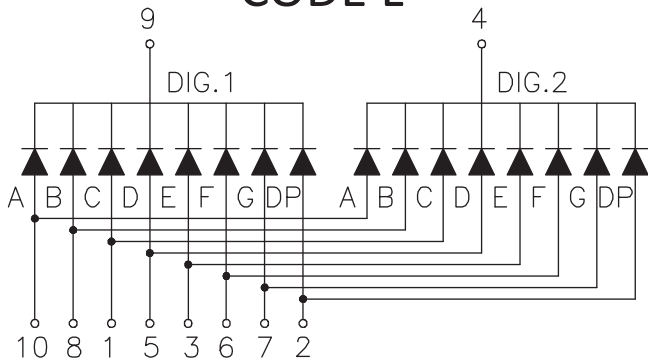


LB20391

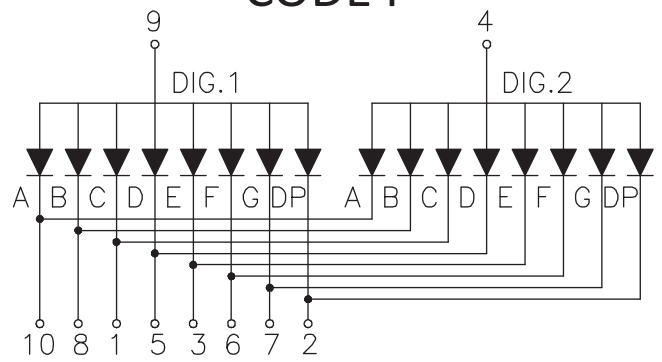


CODE L



COMMON CATHODE (共阴)

CODE I



COMMON ANODE (共阳)