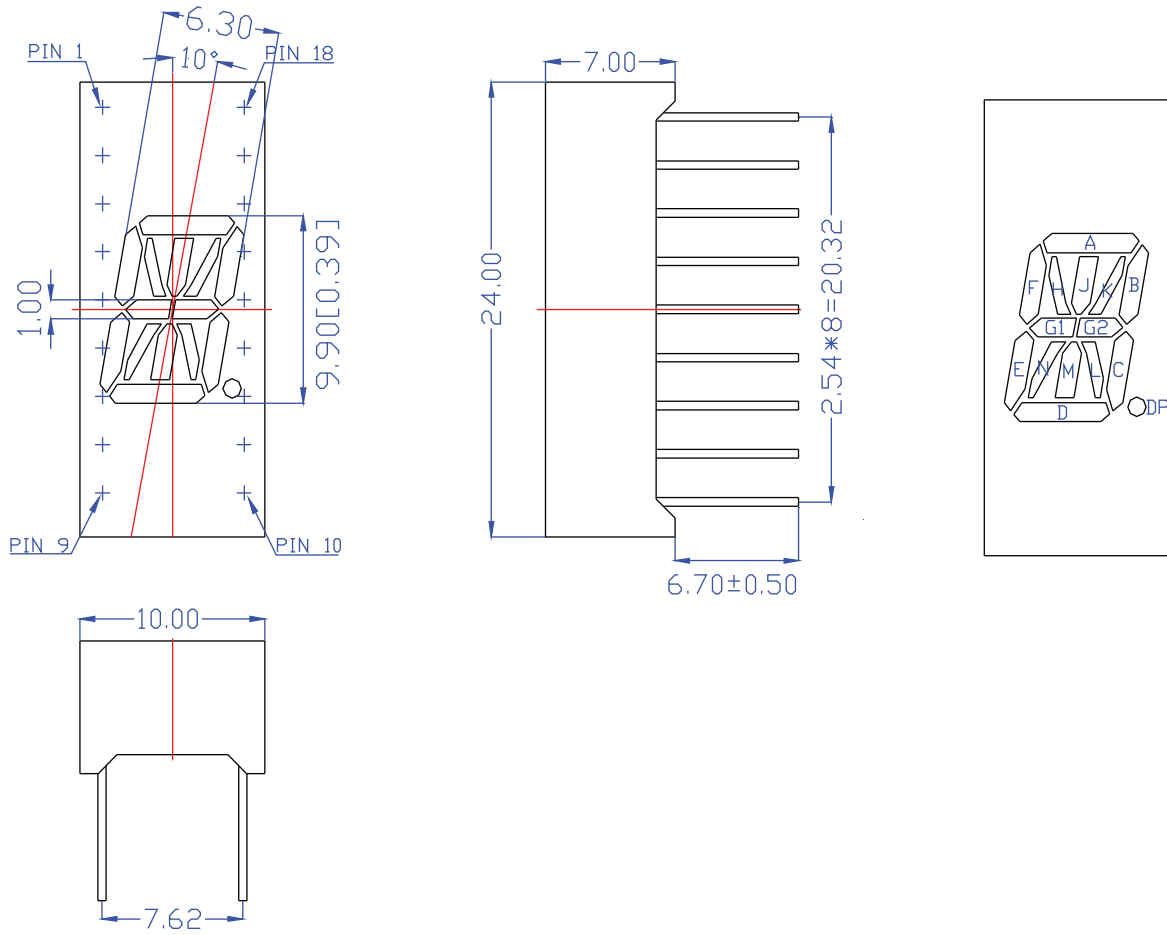
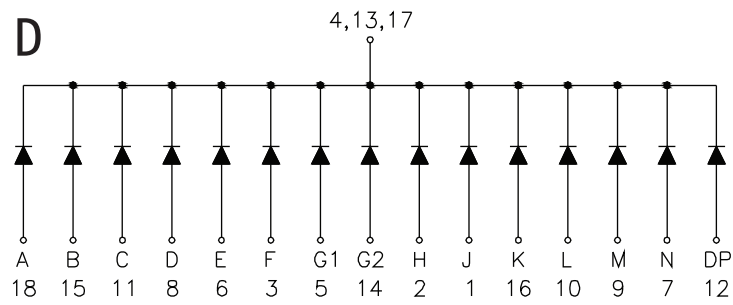


# LB10392

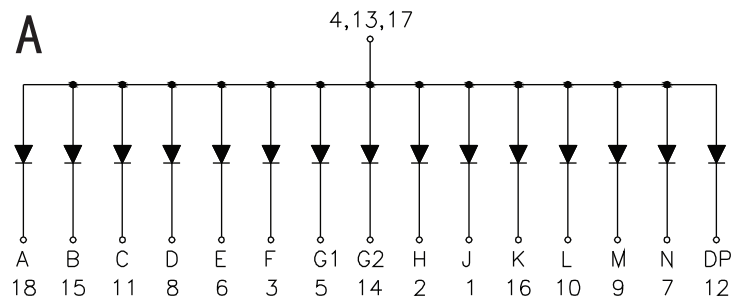


## CODE D



Common Cathode

## CODE A



Common Anode