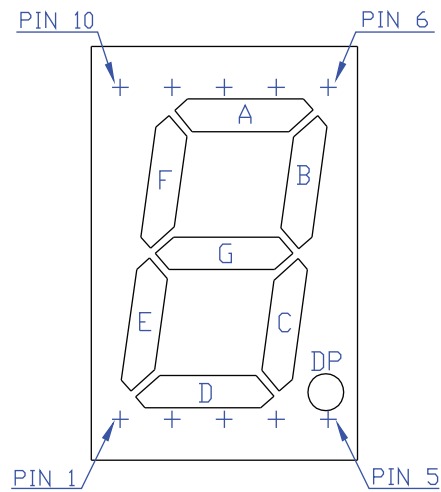
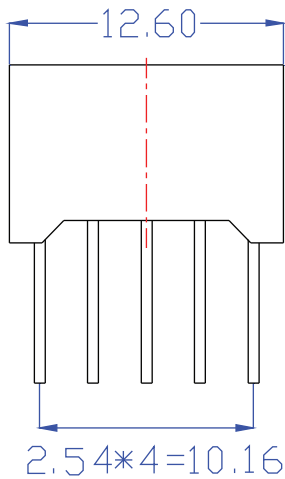
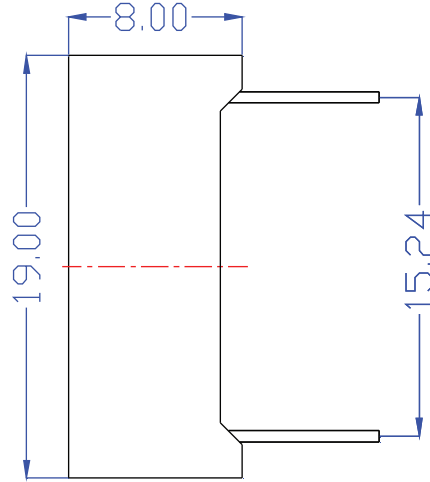
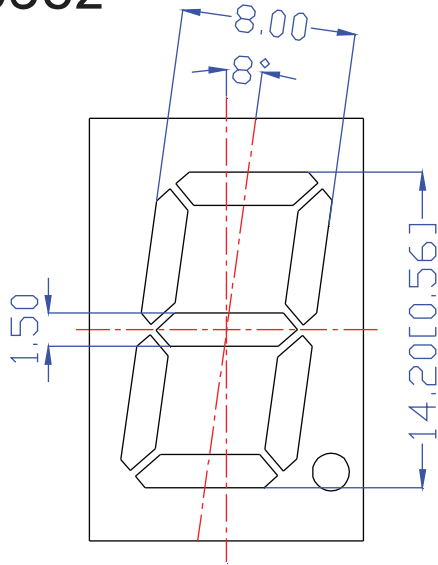
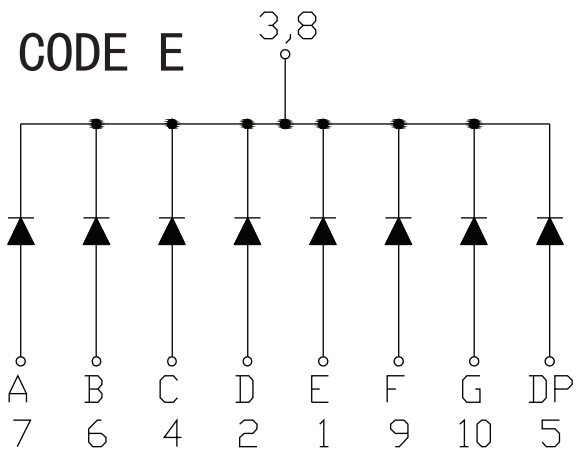


LB10562

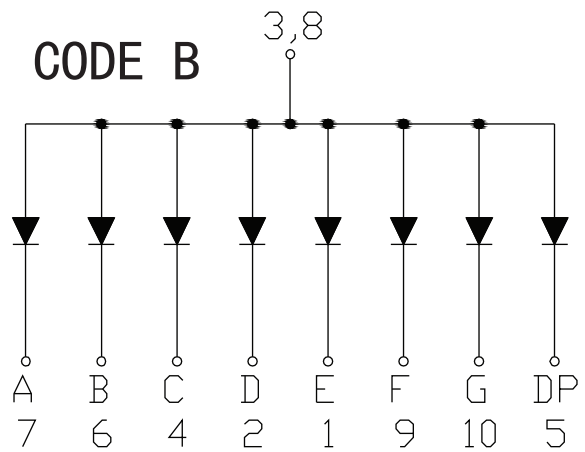


CODE E



COMMON CATHODE

CODE B



COMMON ANODE