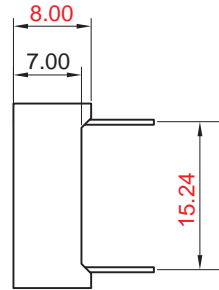
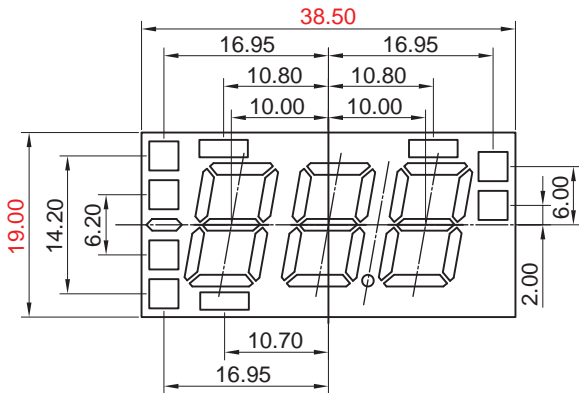
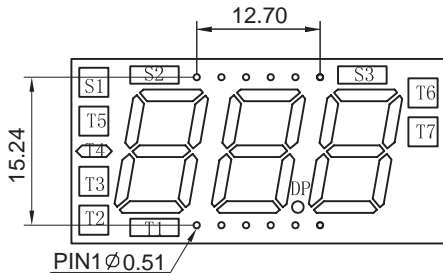
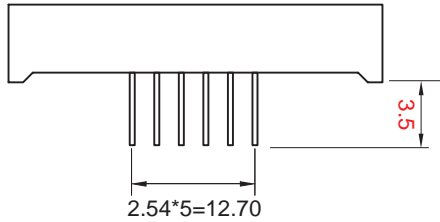
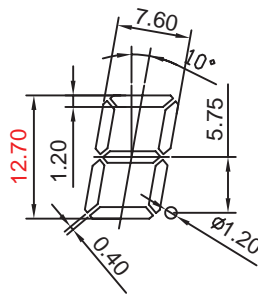


LB3050S-YRFGB1A-T8 & LB3050S-YBFRG1A-T8



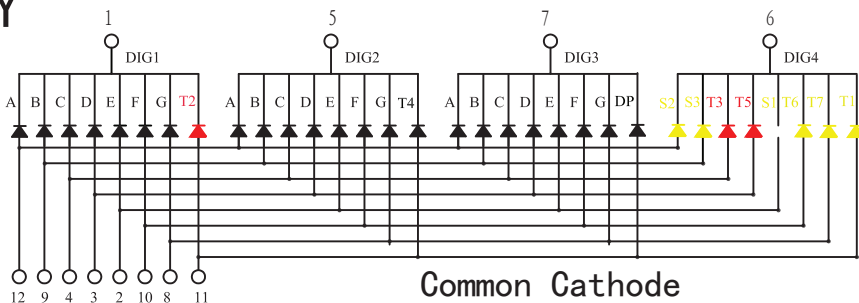
Features

- 0.50 inch digit height
- Low power requirements
- I.C. Compatible
- Easy assembly
- RoHs compliant
- Wide viewing angle
- End stackable
- Black surface
- White segments
- Common Cathode



LB3819-T8

CODE Y



线路窗口显示颜色以图片为准!!!