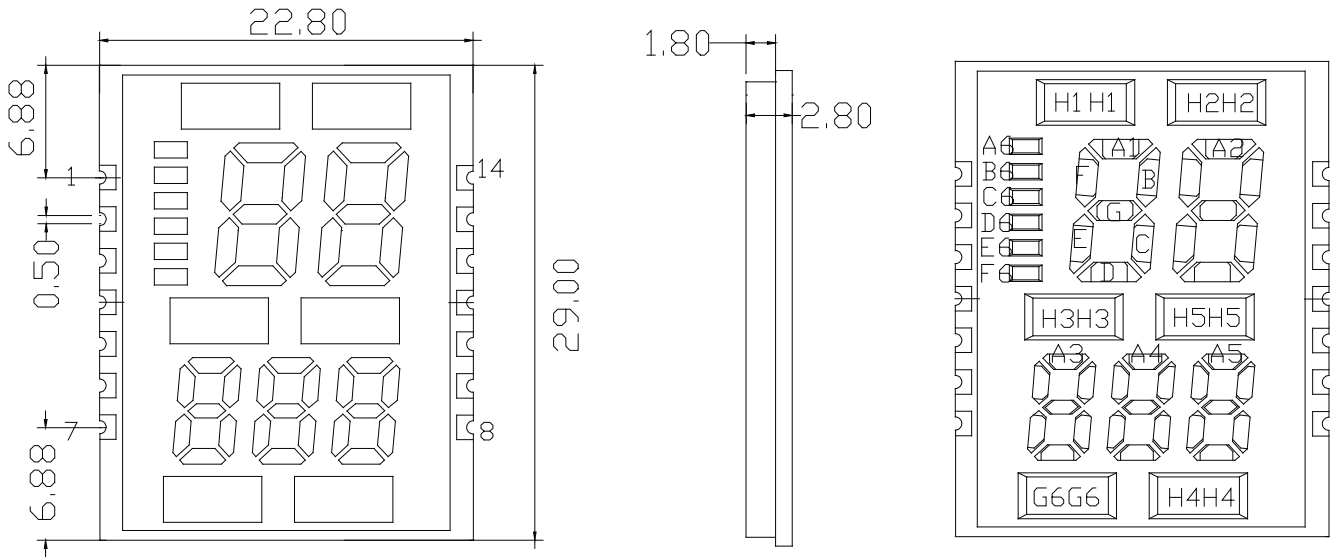


# LBS2028



## CODE L

膜片

