

PELTIER AIR CONDITIONER

Model No. SD-020-12、SD-020-24



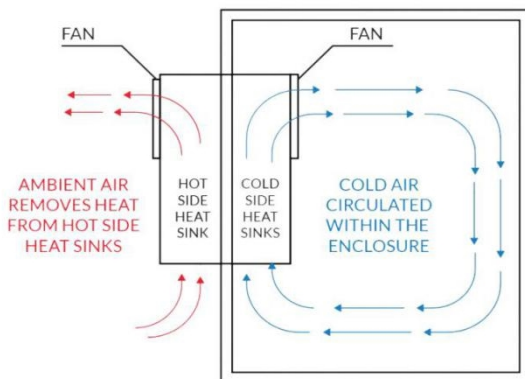
Features:

- Extremely reliable solid state construction with long life span
- Maintenance-free with no moving parts (except fans)
- No compressor, refrigerant or filters
- Compact size, lightweight, convenient to install and operate
- Construction (Aluminum Alloy) for indoor or outdoor use
- Standard models to 55 °C (High ambient models avail.)
- Flush-mount or embedded-mount installation
- Recommended for vertical mounting only
- DC power configurations
- Complete 12 month warranty

Description

SANDA's 20 W DC solid state air conditioner models are designed to cool your electronic and electrical controls, instruments, computer terminals, printers, telecommunications equipment, surveillance devices, cameras, laser and optical equipment and many other electronics in variety of environments. Our electronic cabinet cooler is designed for use with a wide range of enclosures and transit cases. Models are available for both indoor and outdoor use in DC power configurations. Coolers feature corrosion-resistant aluminum construction. All are available with a variety of options.

Principles of Operation



Options

- Supplemental heating capability
- Condensate drip pan with fittings and drain tubing
- Accessories: Switch power supply; temperature controller
- Powder coated aluminum construction

Configurations

Model No	Cooling Capacity	Voltage (DC)	Rated Power
SD-020-12	20W	DC 12	50W
SD-020-24	20W	DC 24	50W



Zhuzhou Sanda Electronic
Manufacturing Co.,Ltd
Wuli Dun Industry Zone, Liling,
Zhuzhou, Hunan, China

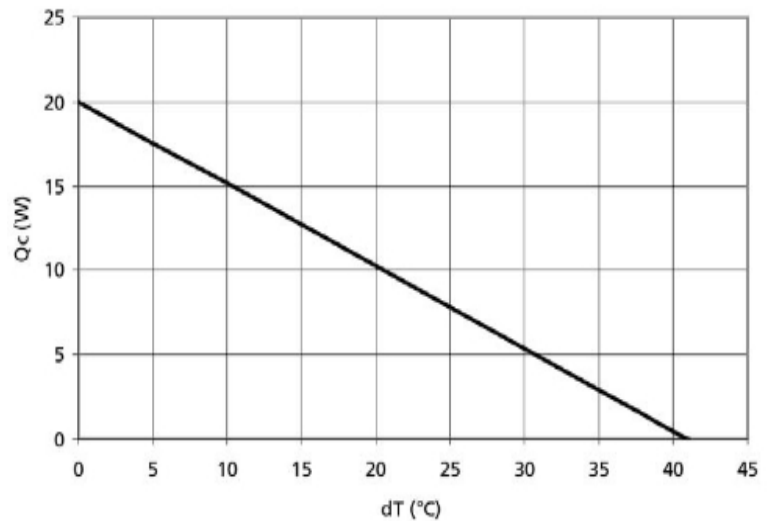
E-mail: sanda09@digitalmeter-suppliers.com
Cell/Skype/Whatsapp: +86 18874731668• Fax: 0731-86206577
<http://sandaenvicool.com/>

20W (DC) Peltier Air Conditioner

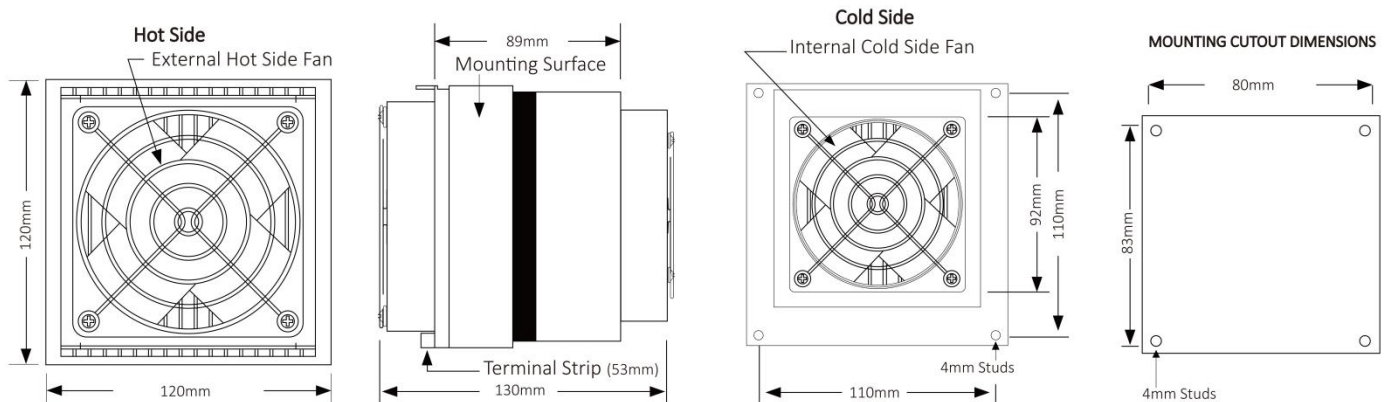
Specifications

Capacity	20W
Type	Embedded mount
Rating	IP55
Construction	Aluminum Alloy (covers)
Size	120mm L x 120mm W x 130mm D body 83mm L x 80mm W mounting size
Operating Range	Up to 50 degrees C (high ambient models available)
Temperature Control	Adjustable thermostat
Power	12 VDC @4.2 AMPS/ 24 VDC @2.1AMPS
Includes	Mounting hardware and manual
Weight	1.2kg
Warranty	One year

Thermal Performance



Drawings



Zhuzhou Sanda Electronic Manufacturing Co.,Ltd
Wuli Dun Industry Zone, Liling,
Zhuzhou, Hunan, China

E-mail: sanda09@digitalmeter-suppliers.com
Cell/Skype/Whatsapp: +86 18874731668 • Fax: 0731-86206577
<http://sandaenvicool.com/>