



特点和用途:

ZJ和ZJLR型液下泵为立式离心渣浆泵，浸入液下，用于输送磨蚀性、粗颗粒、高浓度渣浆。不需要任何轴封和轴封水，在吸入量不足的工况下也能正常工作。

ZJL型泵过流部件由耐磨金属制成。适用于输送磨蚀性渣浆。

ZJLR型泵浸入液下的零部件均有橡胶外衬。适用于输送无棱角的磨蚀性渣浆。

APPLICATION AND FEATURES

Type ZJ and ZJLR pumps are vertical, centrifugal slurry pumps submerged in sump to work. They are designed for delivering abrasive, large particle and high density slurries. These pumps have no need of any shaft seal and sealing water. They can also be operated normally for insufficient suction duties.

Wet parts of type ZJL pump are made of abrasion-resistant metal.

All parts of type ZJLR pump immersed in liquid are lined with rubber outer liner. They are suited to transport non-edge angle abrasive slurry.

型号意义:

例如: 40ZJL(R)

40—泵吐出口直径 (mm)

ZJL—液下渣浆泵

ZJLR—衬胶液下渣浆泵

TYPE NOTATION

SUCH AS: 40ZJL(R)

40 — Outlet diameter (mm)

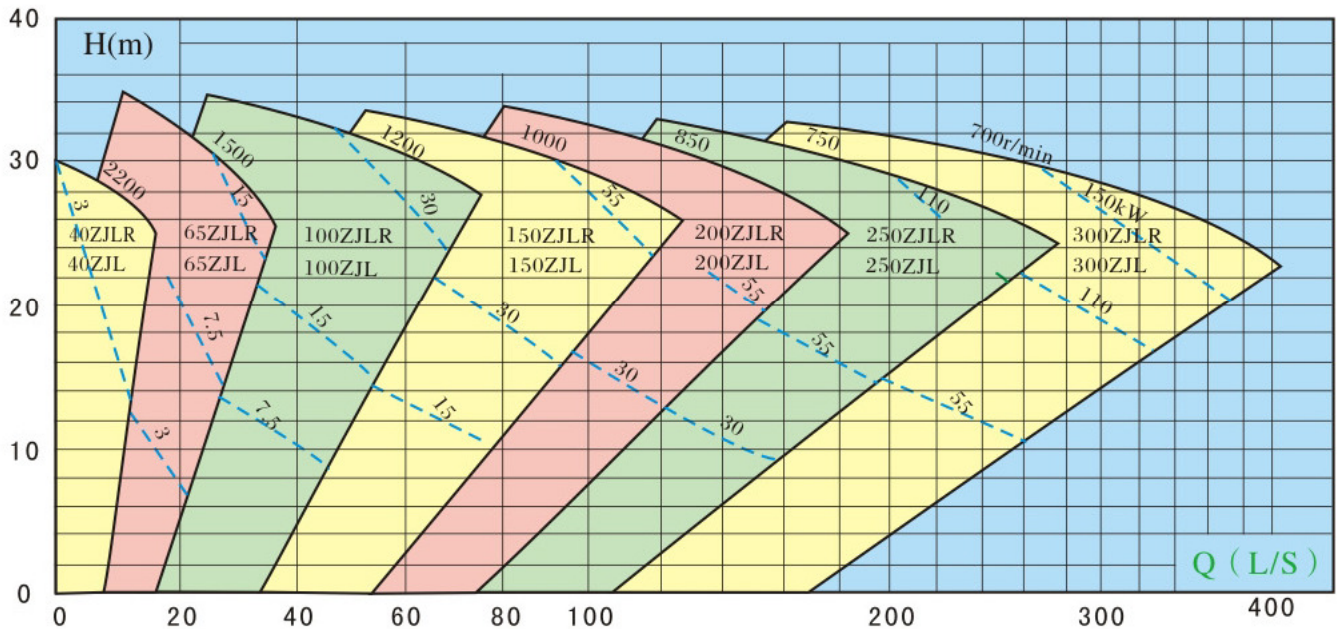
ZJL — Slurry pump submerged in sump

ZJLR— Slurry pump submerged in sump,
rubber lined



ZJL、ZJLR 型液下泵型谱

Type ZJL、ZJLR Sump Pumps Selection Chart



注：此图为清水性能，仅供初步选型使用。

Note: Approximate Performance for clear water is used for primary selection only.

ZJL、ZJLR型液下泵性能表

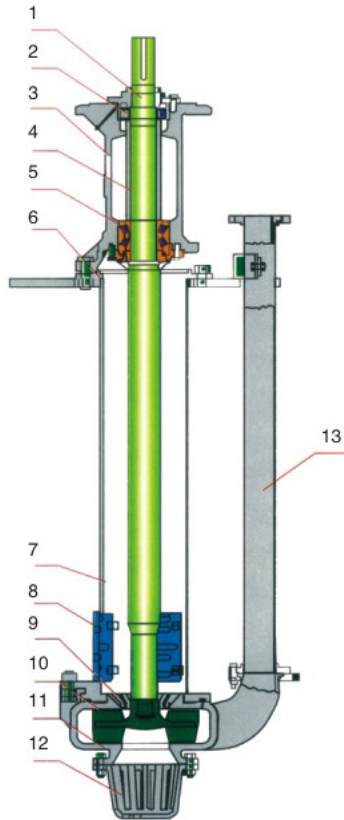
Clear Water Performance for ZJL and ZJLR Sump Pumps

型号 TYPE	允许配代 最大功率 (Kw) Allowable Mating Max. Power	材质 MATERIAL		性能范围 Range of Performance					叶轮 IMPELLER	
		护套 LINER	叶轮 IMPEL	流量 Q CAPACITY		扬程 H (m) Head H	转速 n SPEED n	最高 效率 Max. Eff (%)	叶片数 No. of Vaness	叶轮 外径 Impeller Diameter (mm)
				(m ³ /h)	(l/s)					
40ZJL	15	M	M	19.44-43.2	5.4-12	4.5-28.5	1000-2200	40	5	188
40ZJLR		RU	RU	17.28-39.6	4.8-11	4-26	1000-2200	40	5	188
65ZJL	30	M	M	23.4-111	6.5-30.8	5-29.5	700-1500	50	5	280
65ZJLR		RU	RU	22.5-105	6.25-29.15	5.5-30.5	700-1500	51	5	280
100ZJL	75	M	M	54-289	15-80.3	5-35	500-1200	56	5	370
100ZJLR		RU	RU	64.8-285	18-79.2	7.5-36	600-1200	62	5	370
150ZJ	110	M	M	108-479.16	30-133.1	8.5-40	500-1000	52	5	450
200ZJ	110	M	M	189-891	152.5-247.5	6.5-37	400-850	64	5	520
250ZJ	200	M	M	261-1089	72.5-302.5	7.5-33.5	400-750	60	5	575
300ZJ	200	M	M	288-1267	80-352	6.5-33	350-700	50	5	610

注： 1. “M”是合金耐磨材料。“RU”是橡胶材料。

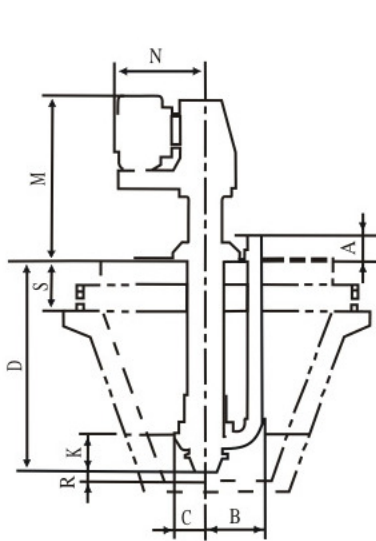
NOTE: 1. “M”: alloy wear-resistant material. “RU”: rubber.

ZJL、ZJLR 型液下泵结构图
 Constructional Drawing for ZJL and ZJLR Sump Pumps

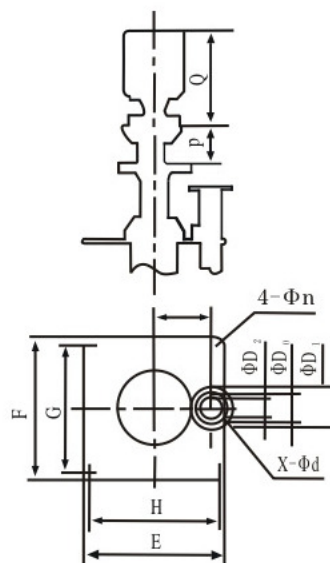


- | | |
|--------|-----------------|
| 1、轴 | SHAFT |
| 2、轴承 | BEARING |
| 3、轴承体 | BEARING HOUSING |
| 4、轴承挡套 | BEARING SPACER |
| 5、轴承 | BEARING |
| 6、调整垫 | SHIM |
| 7、支架 | COLUMN |
| 8、滤网 | STRAINER |
| 9、后护板 | BACK LINER |
| 10、叶轮 | IMPELLER |
| 11、泵体 | PUMP CASING |
| 12、下滤网 | LOWER STRAINER |
| 13、吐出管 | DISCHARGE PIPE |

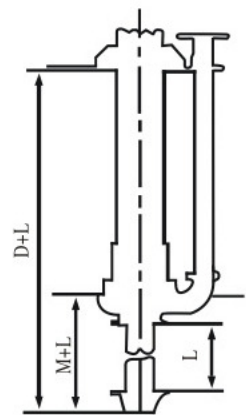
外形安装尺寸图
 Outline Installation Drawing



皮带传动 Belt Drive



直接传动 Direct Coupled Drive





ZJL & ZJLR 型液下泵外型尺寸表
Outline Dimensions for ZJL and ZJLR Sump Pumps

泵 PUMP	吐出口 直径 (mm) SIZE (mm)	A		B		C		D		E		F		G		H		J		J		K		M	N	P	Q	泵重 (kg) PUMP WEIGHT	S	出口法兰尺寸 DISCHARGE FLANGE SIZE							
		型号 TYPE																																			
40	ZJL	137	285	153	900*	500	450	205	18	174	1113	675	243	629	285	280	127	40	98	4-φ16																	
		ZJLR	140	265	175	1200						1113																									
65	ZJL	227	399	231	900	680	620	285	18	265	1390	794	290	681	432	350	178	65	140	4-φ19																	
		ZJLR	230	380	260	1200*	1500					1396																									
100	ZJL	265	538	317	1200	1800	1500*	1800	2000	2400	1803	1020	416	960	867	350	229	100	191	8-φ19																	
		ZJLR	266	535	332	1200	1500*	1800				1809																									
150	ZJL	390	670	365	1500	1100	1030	500	28	475	2186	1200	476	1011	1737	350	280	150	241	8-φ22																	
		ZJLR	395	670	400	1800*	2100					2194																									
200	ZJL	450	805	440	1500	1300	1200	600	28	550	2191	1300	476	1011	2800	350	343	200	298	8-φ22																	
		ZJLR	450	805	440	1800*	2100					2191																									
250	ZJL	500	930	470	1800	1750	1450	700	48	685	2572	1750	561	1246	3700	400	406	250	362	12-φ25																	
		ZJLR	500	1170	559	2100*	2400					2476																									
300	ZJL	500	1170	559	1800	1750	1450	700	48	700	2476	1750	561	1246		400	483	300	432	12-φ25																	
		ZJLR	500	1170	559	2100*	2400					2476																									

注: L尺寸为: 0、300、600、900、1200、1800; L为0时为标准泵的尺寸。
R尺寸范围: 300-500mm。
NOTE: L size: 0, 300, 600, 900, 1200, 1800. Standard pump: L=0.
R dimension range: 300-500mm.