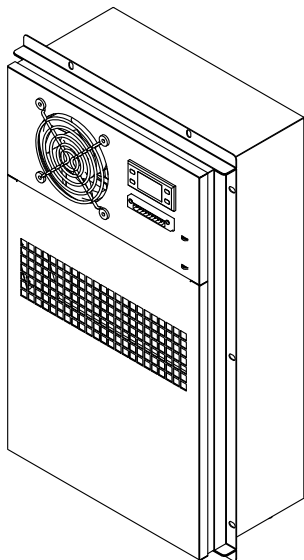


# Outdoor Cabinet AC Air Conditioner

## SDCA-006EA (600W/2100BTU/H)

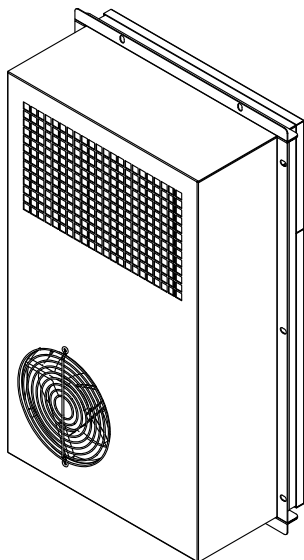
### Product Introduction



#### Range of application

- This series product can be widely used in enclosed area for climate control, such as wireless communication cabinet, battery cabinet, industry control cabinet etc;

#### Product Design Feature

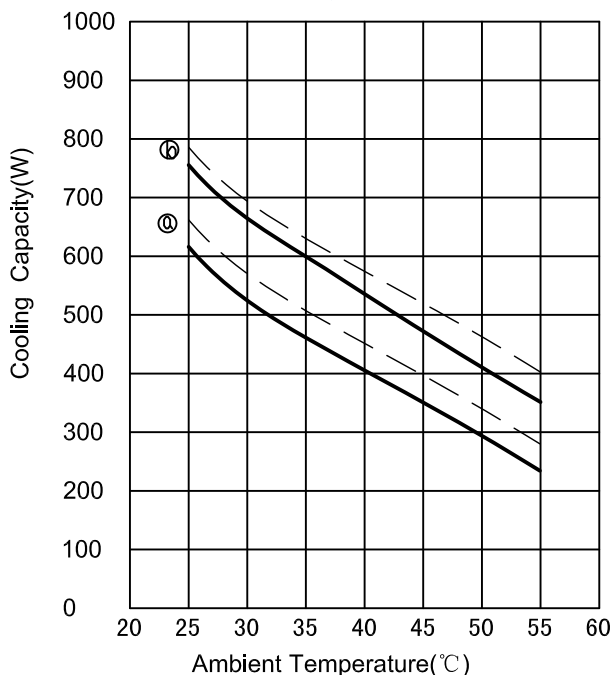


- Remote measuring, remote communication, remote control, which can realize multiple automatic protection and comprehensive self-testing function;
- Strict process control and famous brand components to ensure high quality and reliability of this product;
- Fit for harsh condition (T3), R134a refrigerant ;
- Multiple self-protection design & visible monitoring interface, RS485 communication port (MODBUS-RTU protocol);
- LED display, all the settings can changed at the field;
- The heating function and the hydrogen function is optional;
- Dry contact alarm output, NO/NC optional;
- Anti-theft design, without the cowling.

## Technical Parameters

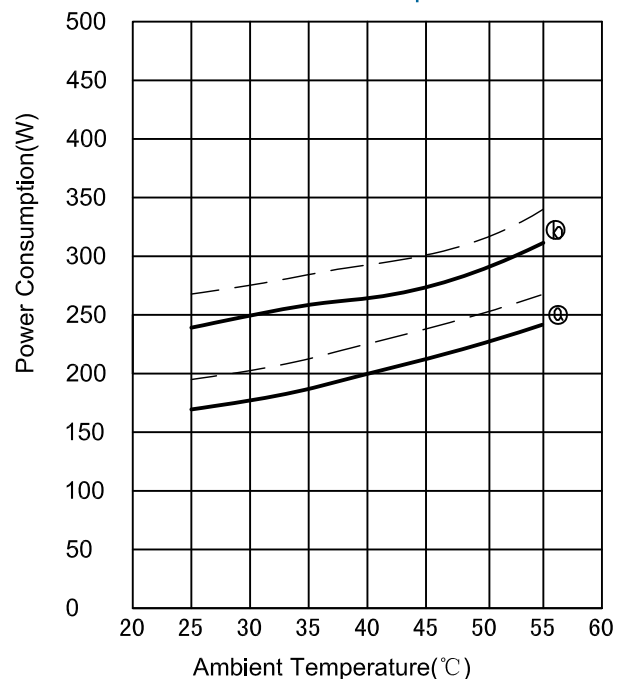
Name	Outdoor Cabinet Air Conditioner
Model	SDCA-006EA
Mounting Method	Semi-embedded Mounting
Power Supply	230VAC±15% 50Hz/60Hz
Cooling Capacity	600W@L35/L35
Power Consumption	260W@L35/L35
Cooling Capacity	360W@L35/L55
Power Consumption	310W@L35/L55
Internal Airflow	120 m <sup>3</sup> /h
Working Temperature Range	-40℃~+55℃
Max Noise Level	60dB(A)
IP Grade	IP55
Net Weight	15kg
Refrigerant	R134a
Dimensions	550x320x175(mm,HxWxD)
Surface Treatment	Outdoor type powder coating,standard color: RAL7035
Heater	Optional(500W)
Hydrogen Function	Optional

### Cooling Capacity Chart



Cabinet Inside Temperature    a----25℃    ——— 50Hz  
    b----35℃    - - - 60Hz

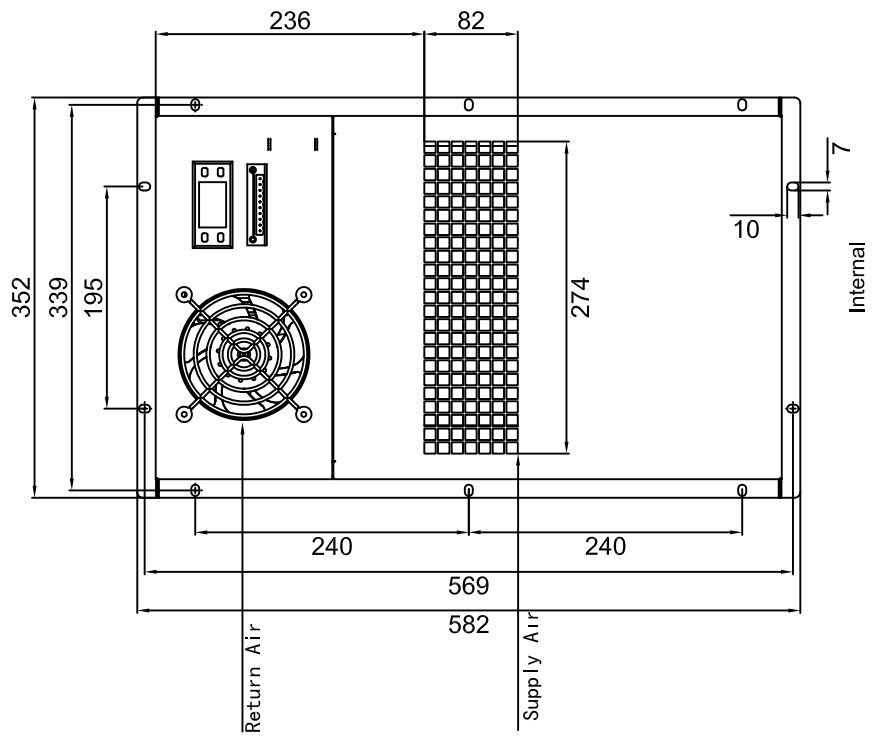
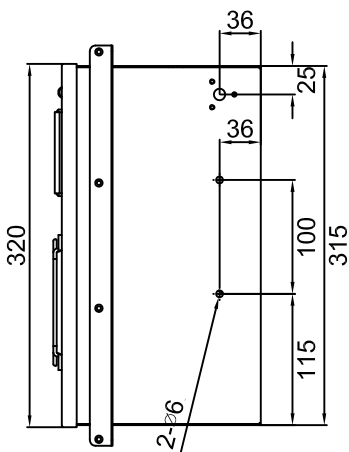
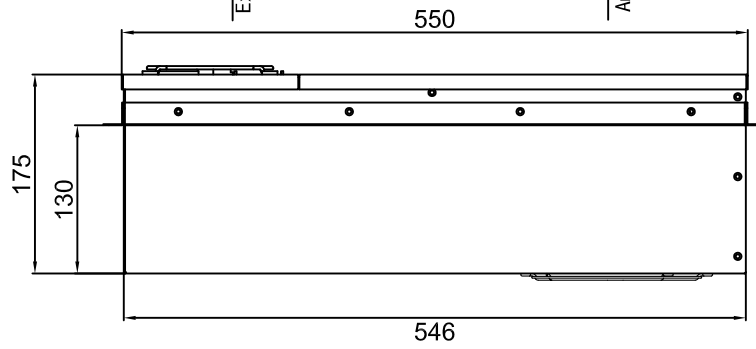
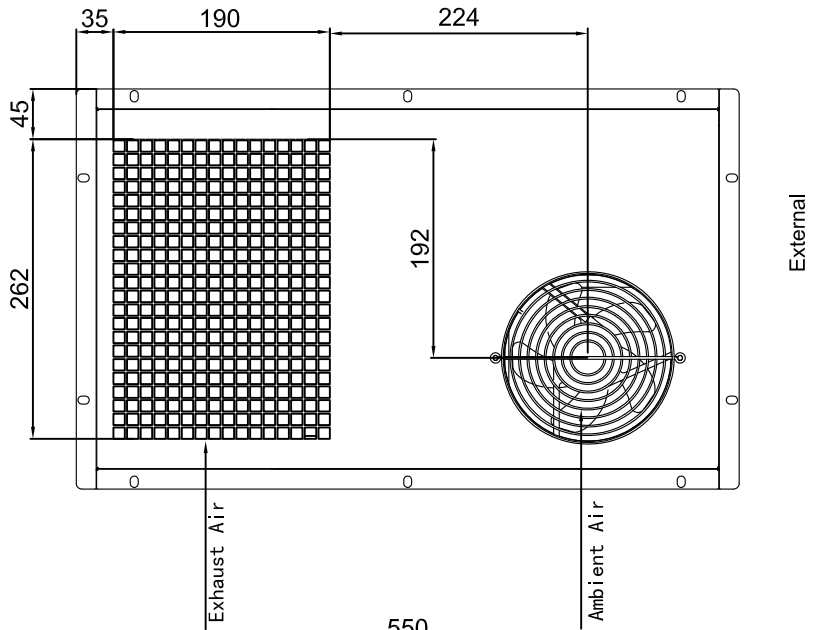
### Power Consumption Chart



Cabinet Inside Temperature    a----25℃    ——— 50Hz  
    b----35℃    - - - 60Hz

# Product Dimension

Model	Installation
SDCA-006EA	Semi-embedded Mounting



# Installation instructions

Model	Installation
SDCA-006EA	Semi-embedded Mounting

Figure 1-Cabinet Door Cutting Dimension

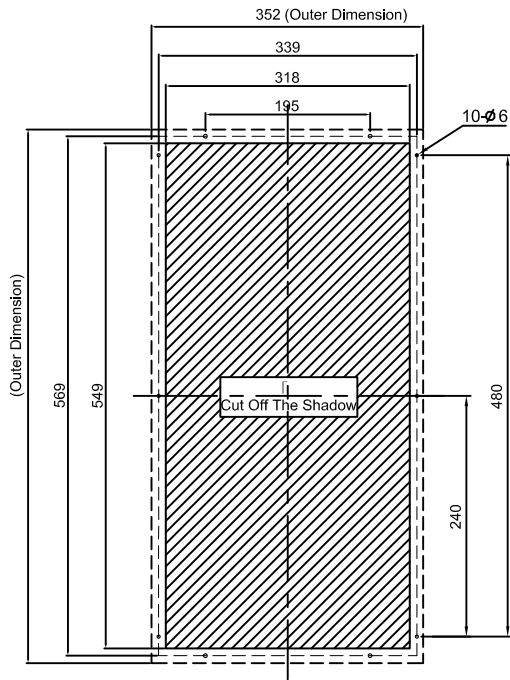


Figure 2-Air open design of cowling

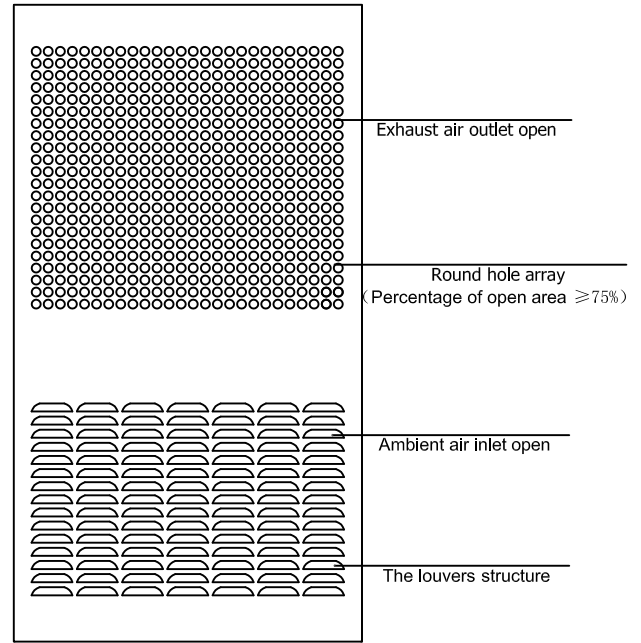
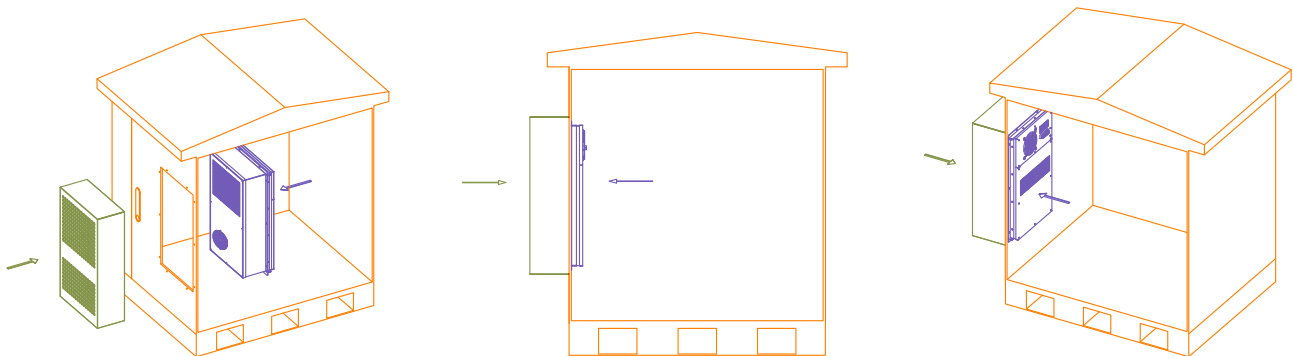


Figure 3-Installation Instruction



## Attention:

This series air conditioner does not need a cowling, if customer does want to put a cowling outside unit, please follow below rules:

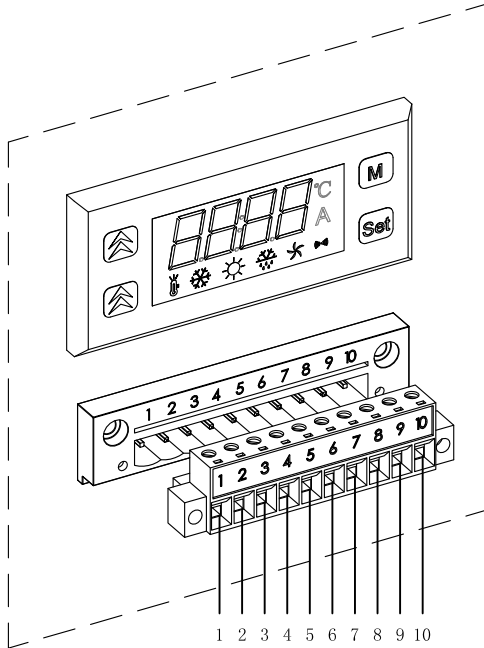
1. The cowling can be made by customer self, the design of cowling please refer to figure 2

2. The inlet and outlet open for ambient air in and exhaust air out should be big enough to ensure enough air volume circulation.

This is very important to have the air conditioner running with long lifetime and less service.

3. When you make a cowling design/installation, make sure the inlet air and outlet air not been short cut, this is also critical to keep unit have best cooling performance.



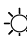


# Terminal instructions



## Instructions of display panel:

The display panel shows cabinet temperature under normal circumstance, and shows alarm code when there is a malfunction.

In the bottom is the status bar, different lamp represents different status.

-  : Flashing when self diagnosis or temperature setting mode.
-  : Lamp on when cooling;
-  : Lamp on when heating;
-  : Lamp on when external fan is running;
-  : Flashing when alarm.



Number	Symbol	Definition	Description
1	L	Live line of AC power	/
2	N	Neutral line of AC power	/
3	PE	Ground wire of AC power	/
4	TR/+	Positive pole of 485 communication	/
5	TR/-	Negative pole of 485 communication	/
6	NO	Normal open port of dry contract alarm output	Dry contact alarm: Pin 6&7: Normal open Pin 7&8: Normal closed
7	COM	Common port of dry contract alarm output	
8	NC	Normal closed port of dry contract alarm output	
9	I/O	Hydrogen discharging port or external signal input port	Hydrogen discharging or external signal input port both can only choose one: As hydrogen port: Can connect external hydrogen exhaust fan(AC&DC). Current of hydrogen exhaust fan should be less than 1 A As external signal input port: Accept external control signal to control the air conditioner.
10			