

Product specification

Name : ONN-LED Machine light

Model : ONN-M1 series

Version : A0

Date : 2015-03-04

Products introduce:

- 1, ONN-M1 series of products using profile structure, waterproof apron, tempered glass and other components combine heat and highly uniform appearance.
- 2, We uses 1-3W high power lamp beads, good thermal conductivity of the light source, low light is the best choice for lighting.
- 3, Aluminum die-casting joint stand, durable, simple and elegant, 200-degree adjustment, so that the light arbitrary, very easy to install.

Scope: CNC machine tools, machining centers, CNC lathes, sparks and other local accent lighting.

Products photo and size photo:



220V cable

L: brown

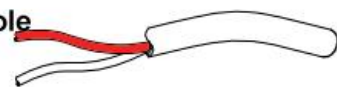
N: Blue



24V cable

AC/DC24V
Red/positive pole

AC/DC24V
White/negative pole



Parameters			
Model No.	Input Voltage	Range of input voltage	Range of CCT
<input type="checkbox"/> ONN-M1-B1	AC/DC 24V	AC/DC 24±2V	5500-6000K
<input type="checkbox"/> ONN-M1-B2	AC/DC 24V	AC/DC 24±2V	4000-4500K
<input type="checkbox"/> ONN-M1-C1	AC220V (50/60Hz)	AC100-240V (50/60Hz)	5500-6000K
<input type="checkbox"/> ONN-M1-C2	AC220V (50/60Hz)	AC100-240V (50/60Hz)	4000-4500K
Length of power line	0.3M (Standard), no plug fitted		
Installation	Fixed base by screws		
Power dissipation	7W	9.5W	
Input current(Max)	(24V) 350mA (220V) 50mA	(24V) 450mA (220V) 100mA	
Light flux	550Lm	830Lm	
IP rating	IP65	Range of CCT	5500—6000K 4000-4500K
Luminous efficiency	70Lm/W	CRI	70
Lamp Driver	Isolated	Power factor	≧ 0.8
Work temperature	< 60°C	Beam angle	45°
Lifetime of source	50 000H		

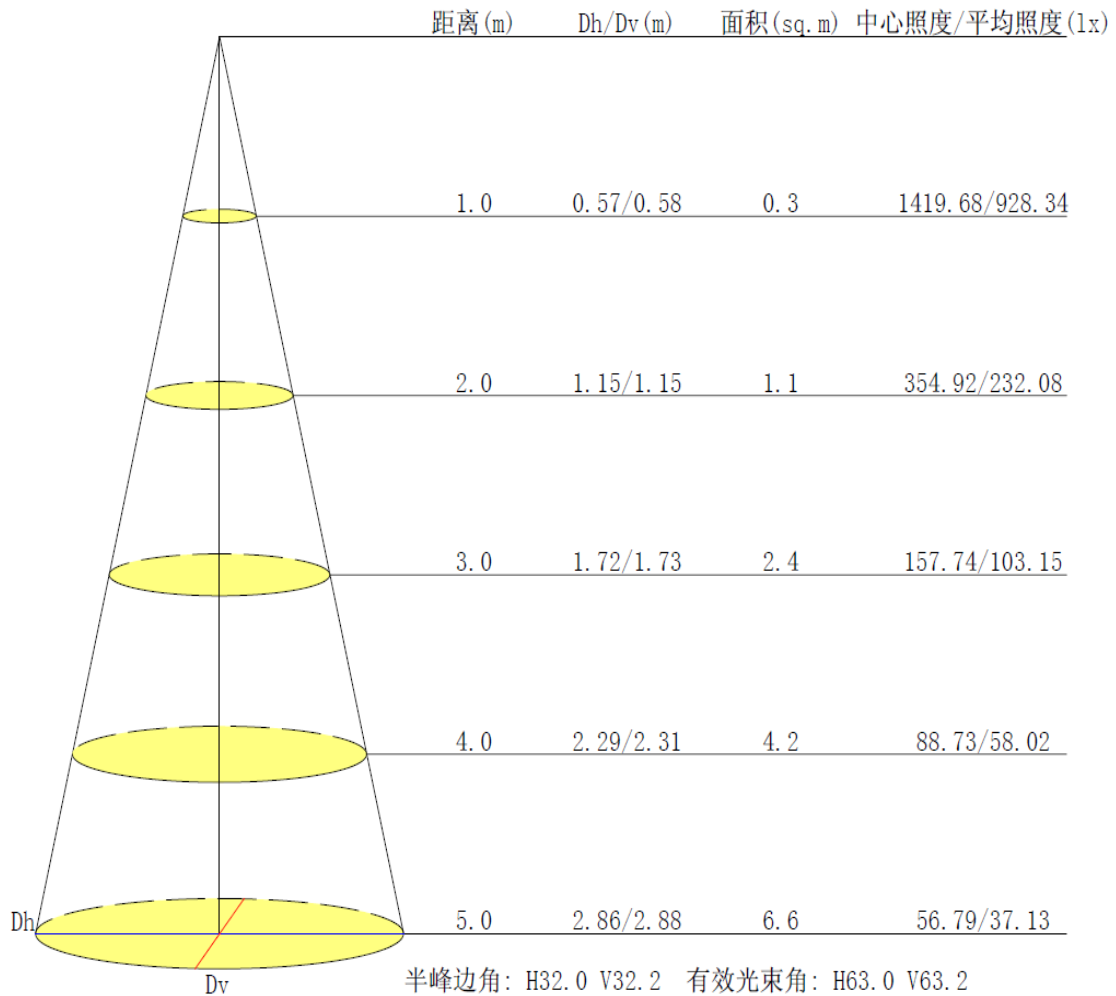
Environmental Requirements:

Working temperature:	-20~45°C
Save temperature:	-40~70°C
Working humidity:	10~90%
Save humidity:	10~90%

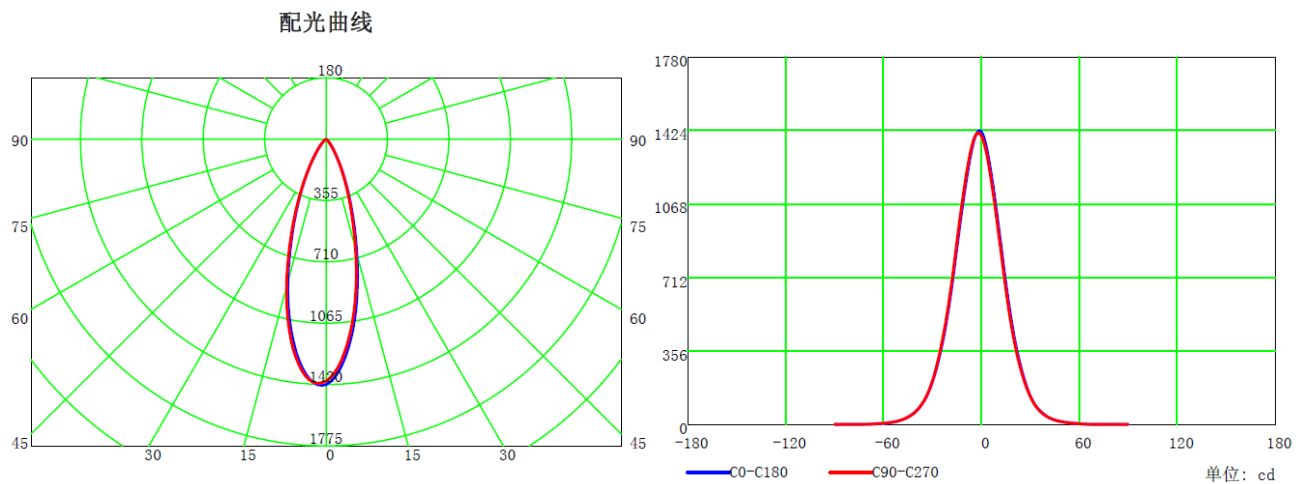
Shenzhen Onn Semi-conductor lighting Co.,Ltd

Tel: +86-755-36631969 Fax: +86-755-27871421 Web: www.onnled.net
 Add: 3F, Haofeng Industrial Park NO.2 Zone, Xinhe, Bao'an District, Shenzhen, China.

Picture of light distribution curve(7w)



The table of average illumination:

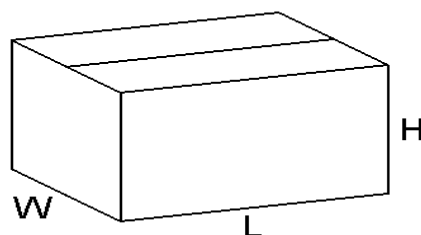
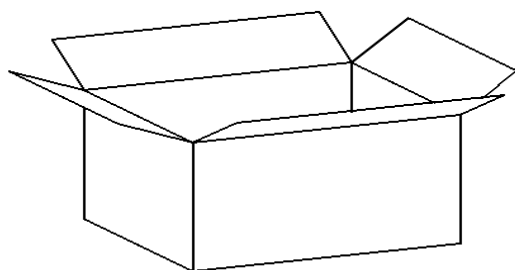


Shenzhen Onn Semi-conductor lighting Co.,Ltd

Tel: +86-755-36631969 Fax: +86-755-27871421 Web: www.onnled.net
 Add: 3F, Haofeng Industrial Park NO.2 Zone, Xinhe, Bao'an District, Shenzhen, China.

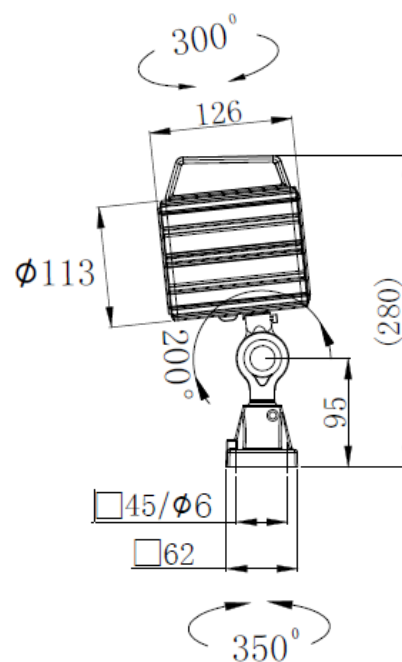
Packing:

Packing material	Cartons	
	Size of products (MM)	280(1pcs/inner box)
N/W of one light (Kg)	0.98	0.98
G/W of total cartons (Kg)	14.5	20.5
Quantity/CTN (PCS)	12	18
Inner box(L*W*H)mm	225*130*170	330*200*220
Carton size(L*W*H)mm	460*400*355	620*380*460


Installation

Fixed base by screws:

- 1) Drill a hole in position, diameter of hole is 6MM.
- 2) Tighten the screws, after installed, lamp head can be adjusted as you need.


Shenzhen Onn Semi-conductor lighting Co.,Ltd

Tel: +86-755-36631969 Fax: +86-755-27871421 Web: www.onnled.net
 Add: 3F, Haofeng Industrial Park NO.2 Zone, Xinhe, Bao'an District, Shenzhen, China.