

## KYL-300M RF Data Radio Module



- **LED Status Indicator**
- **8Channels(16CH&32CH available)**
- **12.5kHz/25kHz Channel Spacing**
- **RS232/RS485/TTL/USB**
- **FSK Modulation**



KYL Radio Modems are widely use to wireless remote monitor and control in Industry and Agriculture etc. Whether develop a new system or installing into an existing system, KYL radio modems have been the choice of OEM and end-users worldwide for 10 years.

## Specification

- \* Working frequency: 400MHz~470MHz;
- \* Power supply: DC 5V (can be customized to 12V );
- \* RF power:  $\leq 2W$ ;
- \* RF data rate: 1200/2400/4800/9600/19200bps (Set before delivery);
- \* Receive current:  $< 30mA$  (TTL connect);
- \* Receive sensitivity: -123dBm (1200bps); -118dBm (9600bps);
- \* Transmitting current:  $< 1.5A$ ;
- \* Sleep current:  $< 20\mu A$ ;
- \* Interface data format: 8E1/8N1/8O1;
- \* Working humidity: 10%~90% relative humidity without condensation;
- \* Working temperature:  $-35^{\circ}C \sim +75^{\circ}C$  ( industrial)
- \* RF Line-of-sight Range: 5000m(BER=10-5@9600bps);  
7000m(BER=10-5@1200bps);
- \* Size: 80mm\*45mm\*20mm (without antenna port).

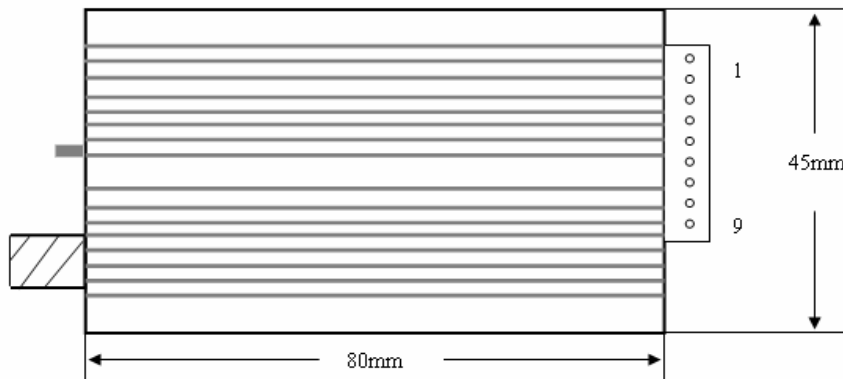
## Standard Package( including accessories)

- Radio
- 9pin Cable
- Magnet Antenna

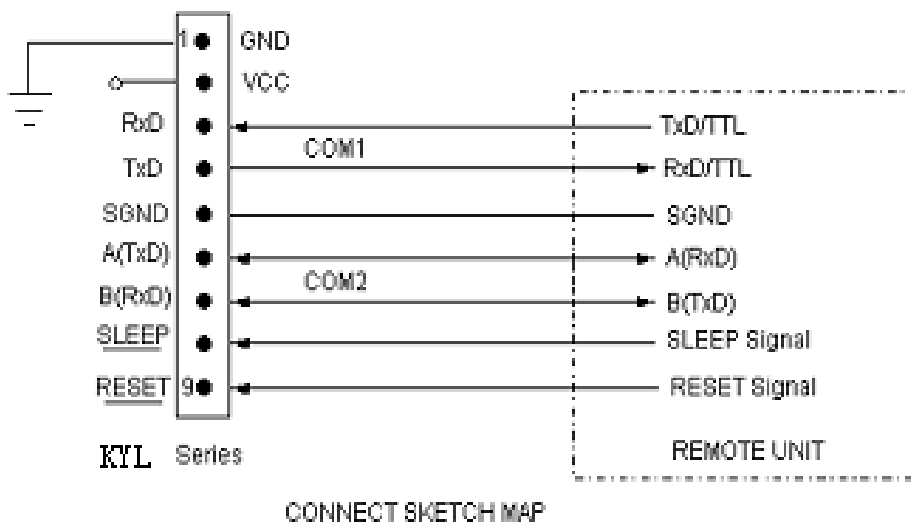
## Pin Definition

Pin No.	Signal Name	Function	Level	Connection with terminal	Remarks
1	GND	Grounding of power supply		Ground	
2	Vcc	Power supply DC	5V		
3	RxD/TTL	Serial data input to the transceiver	TTL	TxD	
4	TxD/TTL	Transmitted data out of the transceiver	TTL	RxD	
5	SGND	Signal			
6	A (TXD)	A of RS-485(TxD of RS-232)		A(RxD)	
7	B (RXD)	B of RS-485(RxD of RS-232)		B(TxD)	
8	SLEEP	Sleep control (input)	TTL	Sleep signal	High level sleep
9	RESET	Reset signal(input)	TTL		Negative pulse reset

## Installation dimension



### Connection schematic diagram between computer and our RF module



## Function- LED Indicator Light

- The LED indicator light will glitter red for 0.5S once after switched on.
- The LED indicator light will glitter green continually while receiving data from air.
- The LED indicator light will glitter red continuously when transmitting data into air after receiving from COM.
- If the module enables the sleep function, LED indicator light is always dark.

## Application

- \* AMR Automatic Meter Reading
- \* Wireless alarm and security systems
- \* Remote Controls
- \* Oil and Gas Field SCADA
- \* Sports training & competition score -count devices
- \* Wireless POS, PDA wireless smart terminal
- \* Traffic Monitoring System
- \* Automation Vehicle Management and Inspection
- \* Wireless telemetry Charging for parking, parking lot
- \* Utilities(water/waste treatment,electricity meters)
- \* Navigating System
- \* Weather/Environment Monitoring
- \* wireless on-the-spot bus and automatic data collection system

## Contact Information

Company address: Room No.305-307,Building 1,Zhuguang Innovation

Tech.Park,Xili,Nanshan District,Shenzhen,China

Tel:86-0755-86643962

Fax:86-0755-83408785

Email:sales01@rf-data.com

Web:www.rf-data.com