

Rui Bo(Suzhou) Machinery and Electronics Co., Ltd.

Catalogue

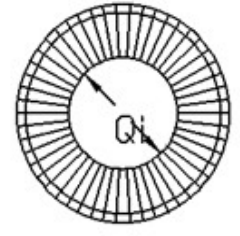


DIN25201 Nord Lock Washer Specs

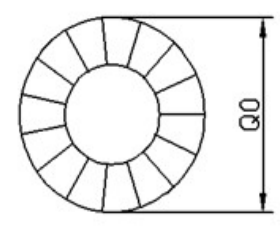
DIN25201 dual-stacked self-locking washer

Material: sk5 Carbon Steel
Surface Treatment: Dacromet

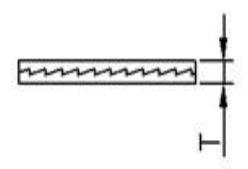
Size	Metric Model	Americal Model	Inner Diameter ϕ_i	Outer Diameter ϕ_o	Thickness T	Weight Kg/100pcs
NL3	M3	#5	3.4	7	1.8	0.04
NL3.5	M3.5	#6	3.9	7.6	1.8	0.03
NL3.5sp	M3.5	#6	3.9	9	1.8	0.06
NL4	M4	#8	4.4	7.6	1.8	0.04
NL4sp	M4	#8	4.4	9	1.8	0.06
NL5	M5	#10	5.4	9	1.8	0.05
NL5sp	M5	#10	5.4	10.8	1.8	0.11
NL6	M6		6.5	10.8	1.8	0.07
NL6sp	M6		6.5	13.5	2.5	0.2
NL1/4''		1/4''	7.2	11.5	1.8	0.08
NL1/4sp		1/4''	7.2	13.5	2.5	0.18
NL8	M8	5/16''	8.7	13.5	2.5	0.15
NL8sp	M8	5/16''	8.7	16.6	2.5	0.29
NL3/8''		3/8''	10.3	16.6	2.5	0.23
NL3/8sp		3/8''	10.3	21	2.5	0.46
NL10	M10		10.7	16.6	2.5	0.23
NL10sp	M10		10.7	21	2.5	0.44
NL11	M11	7/16''	11.4	18.5	2.5	0.29
NL12	M12		13	19.5	2.5	0.29
NL12sp	M12		13	25.4	3.4	0.91
NL1/2''		1/2''	13.5	19.5	2.5	0.27
NL1/2'' sp		1/2''	13.5	25.4	3.4	0.93
NL14	M14	9/16''	15.2	23	3.4	0.63
NL14sp''	M14	9/16''	15.2	30.7	3.4	1.46
NL16	M16	5/8''	17	25.4	3.4	0.69
NL16sp''	M16	5/8''	17	30.7	3.4	1.29
NL18	M18		19.5	29	3.4	0.85
NL18sp''	M18		19.5	34.5	3.4	1.58
NL3/4		3/4''	20	30.7	3.4	1.05
NL3/4sp		3/4''	20	39	3.4	2.2
NL20	M20		21.4	30.7	3.4	0.95
NL20sp	M20		21.4	39	3.4	2.03
NL22	M22	7/8''	23.4	34.5	3.4	1.29
NL22sp	M22	7/8''	23.4	42	4.6	3.31
NL24	M24		25.3	39	3.4	1.68
NL24sp	M24		25.3	48	4.6	4.51
NL1''		1''	27.9	39	3.4	1.53
NL1'' sp		1''	27.9	48.5	4.6	4.2
NL27	M27		28.4	42	6.6	3.29
NL27sp	M27		28.4	48.5	6.6	5.39
NL30	M30	11/8''	31.4	47	6.6	4.2
NL30sp	M30	11/8''	31.4	58.5	6.6	8.96
NL33	M33	11/4''	34.4	48.5	6.6	3.97
NL33sp	M33	11/4''	34.4	58.5	6.6	8.31
NL36	M36	13/8''	37.4	55	6.6	5.59
NL36sp	M36	13/8''	37.4	63	6.6	9.15
NL39	M39	11/2''	40.4	58.5	6.6	6.28
NL42	M42		43.2	63	6.6	7.47
NL45	M45	13/4''	46.2	70	7	10.2
NL48	M48		49.6	75	7	12
NL52	M52	2''	53.6	80	7	13
NL56	M56	21/4''	59.1	85	7	13.5
NL60	M60		63.1	90	9.5	15.2
NL64	M64	21/2''	67.1	95	9.5	16.7
NL68	M68		71.1	100	9.5	28.19
NL72	M72		75.1	105	9.5	30.7
NL76	M76	3''	79.1	110	9.5	33.31
NL80	M80		83.1	115	9.5	36.02
NL85	M85		88.1	120	9.5	37.84
NL90	M90		92.4	130	9.5	47.67
NL95	M95		97.4	135	9.5	49.81
NL100	M100		103.4	145	9.5	58.91
NL105	M105		108.4	150	9.5	61.28
NL110	M110		113.4	155	9.5	63.65
NL115	M115		118.4	165	9.5	75.28
NL120	M120		123.4	170	9.5	77.94
NL125	M125		128.4	173	9.5	76.63
NL130	M130		133.4	178	9.5	79.17



NL3-NL8
 $Q_i \pm 0.1\text{mm}$
NL10-NL42
 $Q_i \pm 0.2\text{mm}$
NL45-NL130
 $Q_i + 0.5 / - 0\text{mm}$



NL3-NL24
 $Q_o \pm 0.2\text{mm}$
NL27-NL42
 $Q_o \pm 0.3\text{mm}$
NL45-NL130
 $Q_o + 0 / - 2.0\text{mm}$



NL3-NL27
 $T \pm 0.25\text{mm}$
NL27-NL42
 $T + 0 / - 0.5\text{mm}$
NL45-NL130
 $T \pm 0.75\text{mm}$

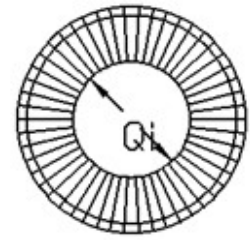
DIN25201 Nord Lock Washer Specs

DIN25201 dual-stacked self-locking washer

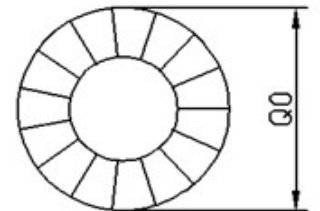
Material: SUS304.316

Surface Treatment: Polishing Natural Color

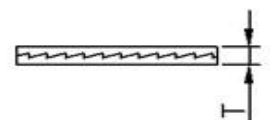
Size	Metric model	American model	Inner Diameter ϕ_i	Outer Diameter ϕ_o	Thickness T	Weight Kg/100pcs
NL3ss	M3	5#	3.4	7	2.2	0.04
NL3.5ss	M3.5	6#	3.9	7.6	2.2	0.04
NL3.5spss	M3.5	6#	3.9	9	2.2	0.07
NL4ss	M4	8#	4.4	7.6	2.2	0.04
NL4spss	M4	8#	4.4	9	2.2	0.07
NL5ss	M5	10#	5.4	9	2.2	0.06
NL5spss	M5	10#	5.4	10.8	2.2	0.11
NL6ss	M6		6.5	10.8	2.2	0.09
NL6spss	M6		6.5	13.5	2.2	0.16
NL1/4''ss		1/4''	7.2	11.5	2.2	0.09
NL1/4spss		1/4''	7.2	13.5	2.2	0.15
NL8ss	M8	5/16''	8.7	13.5	2.2	0.12
NL8spss	M8	5/16''	8.7	16.6	2.2	0.24
NL3/8''ss		3/8''	10.3	16.6	2.2	0.17
NL3/8spss		3/8''	10.3	21	2.2	0.38
NL10ss	M10		10.7	16.6	2.2	0.16
NL10spss	M10		10.7	21	2.2	0.37
NL11ss	M11	7/16''	11.4	18.5	2.2	0.26
NL12ss	M12		13	19.5	2.2	0.25
NL12spss	M12		13	25.4	3.2	0.81
NL1/2''ss		1/2''	13.5	19.5	2.2	0.24
NL1/2''spss		1/2''	13.5	25.4	3.2	0.8
NL14ss	M14	9/16''	15.2	23	3.2	0.55
NL14spss	M14	9/16''	15.2	30.7	3.2	1.31
NL16ss	M16	5/8''	17	25.4	3.2	0.61
NL16spss	M16	5/8''	17	30.7	3.2	1.29
NL18ss	M18		19.5	29	3.2	0.8
NL18spss	M18		19.5	34.5	3.2	1.56
NL3/4''ss		3/4''	20	30.7	3.2	0.96
NL3/4spss		3/4''	20	39	3.2	2.1
NL20ss	M20		21.4	30.7	3.2	0.89
NL20spss	M20		21.4	39	3.2	2.06
NL22ss	M22	7/8''	23.4	34.5	3.2	1.23
NL22spss	M22	7/8''	23.4	42	3.2	2.23
NL24ss	M24		25.3	39	3.2	1.52
NL24spss	M24		25.3	48.5	3.2	3.5
NL1''ss		1''	27.9	39	3.2	1.42
NL1spss		1''	27.9	48.5	3.2	3.22
NL27ss	M27		28.4	42	6.8	3.45
NL27spss	M27		28.4	48.5	6.8	5.85
NL30ss	M30	1 1/8''	31.4	47	6.8	4.43
NL30spss	M30	1 1/8''	31.4	58.5	6.8	9.53
NL33ss	M33	1 1/4''	34.4	48.5	6.8	4.25
NL36ss	M36	1 3/8''	37.4	55	6.8	5.96
NL39ss	M39	1 1/2''	40.4	58.5	6.8	6.74
NL42ss	M42		43.2	63	6.8	7.96
NL45ss	M45	1 3/4''	46.2	70	9	10.2
NL48ss	M48		49.6	75	9	12
NL52ss	M52	2''	53.6	80	9	20.1
NL56ss	M56	2 1/4''	59.1	85	9	21.3
NL60ss	M60		63.1	90	9	23.5
NL64ss	M64	2 1/2''	67.1	95	9	25.8
NL68ss	M68		71.1	100	9	28.2
NL72ss	M72		75.1	105	9	30.7
NL76ss	M76	3''	79.1	110	9	33.3
NL80ss	M80		83.1	115	9	36



NL3-NL8
 $Q_i \pm 0.1\text{mm}$
 NL10-NL42
 $Q_i \pm 0.2\text{mm}$
 NL45-NL130
 $Q_i + 0.5 / - 0\text{mm}$



NL3-NL24
 $Q_o \pm 0.2\text{mm}$
 NL27-NL42
 $Q_b \pm 0.3\text{mm}$
 NL45-NL130
 $Q_b + 0 / - 2.0\text{mm}$



NL3-NL27
 $T \pm 0.25\text{mm}$
 NL27-NL42
 $T + 0 / - 0.5\text{mm}$
 NL45-NL130
 $T \pm 0.75\text{mm}$

NFE25511 French Lock Washer Specs

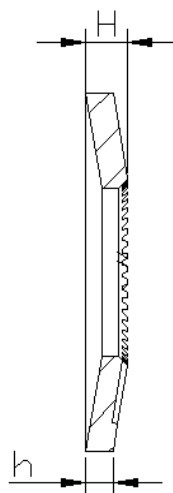
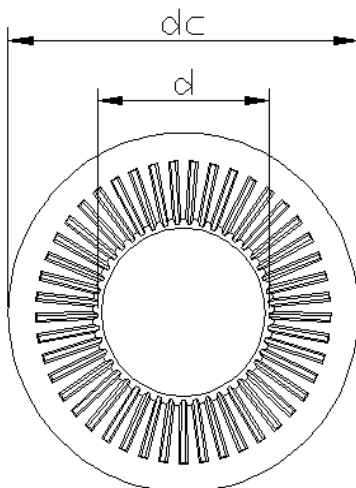
NFE25511 French Standard Lock Washer

Material: 65Mn Spring Steel ; SUS304.316

Surface Treatment: Black Finishing, Zinc Plated

Nickle Plater, Dacromet and so on

d			dc		h		H	
Nominal Diam	Max	Min	Nominal	Tolerance	Nominal	Tolerance	Max	Min
3	3.35	3.1	6	± 0.24	0.5	± 0.03	0.9	0.7
			8	± 0.29	0.6		1	0.8
			10	± 0.29	0.6		1.2	0.95
4	4.4	4.1	8	± 0.29	0.8	± 0.04	1.2	1
			10	± 0.29	0.9		1.4	1.15
			14	± 0.35	1		1.8	1.4
5	5.4	5.1	10	± 0.29	1	± 0.05	1.6	1.25
			12	± 0.35	1.1		1.8	1.45
			16	± 0.35	1.2		2.1	1.7
6	6.4	6.1	12	± 0.35	1.2	± 0.06	1.85	1.55
			14	± 0.35	1.3		2.1	1.75
			18	± 0.35	1.4		2.5	2.1
8	8.58	8.2	16	± 0.35	1.4	± 0.07	2.2	1.8
			18	± 0.35	1.4		2.35	1.9
			22	± 0.42	1.4		2.7	2.2
10	10.56	10.2	20	± 0.42	1.6	± 0.08	2.6	2.1
			22	± 0.42	1.6		2.75	2.25
			27	± 0.42	1.8		3.1	2.6
12	12.83	12.4	24	± 0.42	1.8	± 0.09	2.9	2.4
			27	± 0.42	1.8		3.1	2.6
			32	± 0.5	2		3.6	3.1
14	14.83	14.4	30	± 0.42	2.4	± 0.10	3.7	3.2
16	16.83	16.4	32	± 0.5	2.8		4.1	3.6
20	21.02	20.05	40	± 0.5	3.2		4.9	4.3



SN70093 Specs

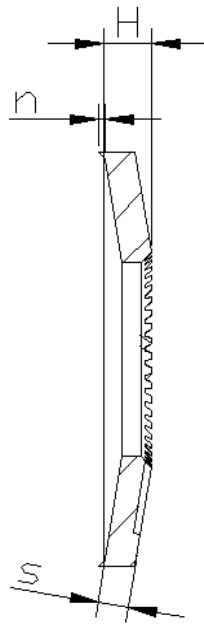
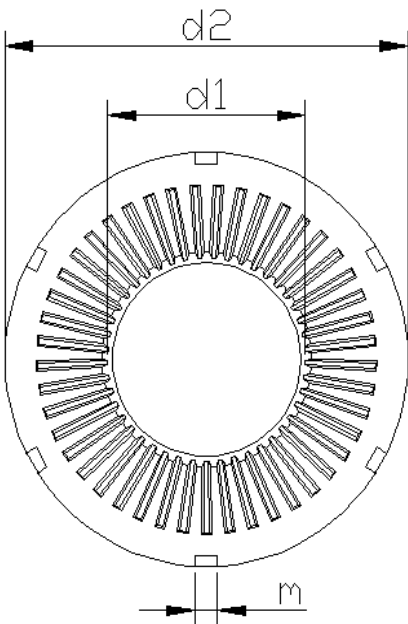
SN70093 Contact Washer

Material: 65Mn Spring Steel ; SUS304.316

Surface Treatment: Black Finishing, Zinc Plated

Nickle Plated ,Dacromet and so on

Specs	d1		d2		h		m		n		s	
	Size	Tolerance	Size	Tolerance	Size	Tolerance	Size	Tolerance	Size	Tolerance	Size	Tolerance
3	3.1	+ 0.3	6.2	- 0.4	0.95	- 0.15	0.8	±0.1	0.2	+ 0.2	0.6	±0.05
3.5	3.6		7.2		1.1		1		0.2		0.7	
4	4.1		8.2		1.15		1.2		0.2		0.8	
5	5.4	+ 0.3	10.2	- 0.4	1.5	- 0.25	2	±0.1	0.4	+ 0.3	1	±0.1
6	6.1		12.2		1.8		2		0.4		1.2	
8	8.2		16.2		2.4		2		0.4		1.4	
10	10.2	+ 0.4	20.25	- 0.5	2.6	- 0.3	2	±0.1	0.4	- 0.1	1.6	±0.1
12	12.4		24.25		2.6		2		0.4		1.6	
16	16.4		32.3		3.96		4.5		0.4		2.5	
20	20.5	+ 0.5	40.3	- 0.6	4.65	- 0.45	4.5	+ 0.2	0.4	+ 0.4	3	±0.1
Acier doux	Acier 8.8	Acier 10.9	Acier 12.9	Zingue blanc	Zingue bichro	inox A2	Inox A4	Nyion	Laiton	Cuivre	Alu	



DIN9250 Specs

DIN9250 Double Side Teeth Washer

Material: 65Mn Spring Steel; SUS304.316

Surface Treatment: Black Finishing, Zinc Plated

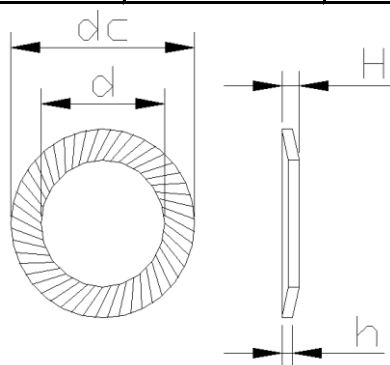
Nickle Plated ,Dacromet and so on

S-Light

Diameter of thread	Outer Diameter dc	Inner Diameter d	Hight h	Hight H	Weight Gram/pc
M1.5	3.4	1.7	0.35	0.6	0.018
M2	4	2.2	0.35	0.6	0.021
M2.5	4.8	2.7	0.45	0.9	0.039
M3	5.5	3.2	0.45	0.9	0.049
M3.5	6	3.7	0.45	0.9	0.055
M4	7	4.3	0.5	1	0.085
M5	9	5.3	0.6	1.1	0.167
M6	10	6.4	0.7	1.2	0.2
M7	12	7.4	0.7	1.3	0.355
M8	13	8.4	0.8	1.4	0.392
M10	16	10.5	1	1.6	0.75
M12	18	13	1.1	1.7	0.879
M14	22	15	1.2	2	1.641
M16	24	17	1.3	2.1	1.984
M18	27	19	1.5	2.3	2.97
M20	30	21	1.5	2.5	3.742
M22	33	23	1.5	2.7	4.507
M24	36	25.6	1.8	2.9	5.91
M27	39	28.6	2	3.1	7.369
M30	45	31.6	2	3.6	10.78
M36	54	38	2.5	4.2	21.28

VS-Heavy

M5	9	5.3	1	1.3	0.273
M6	10	6.4	1	1.4	0.3
M8	13	8.4	1.2	1.7	0.615
M10	16	10.5	1.5	2	0.167
M12	18	13	1.5	2.1	1.223
M14	22	15	1.5	2.2	2.089
M16	24	17	2	2.6	3.142
M18	27	19	2	2.7	4.041
M20	21	30	2	2.8	5.62
M22	33	23	2	3	6.117
M24	36	25.6	2.5	3.4	8.865
M27	39	28.6	2.5	3.5	9.731
M30	31.6	45	2.5	3.6	15.73



DIN6796 Specs

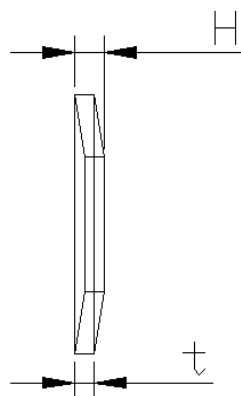
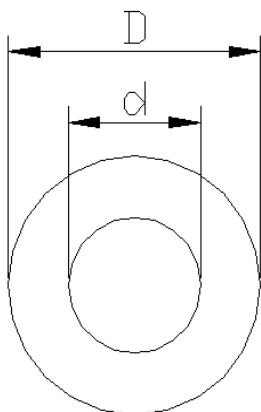
DIN6796 Conical Lock Washer

Material: 65Mn Spring Steel; SUS304.316

Surface Treatment: Black Finishing,

Nickle Plated 、Dacromet and so on

Size	D Ourter	d Inner	t Thickness	H max	H min	Kilo/1000pcs
M2	5	2.2	0.4	0.6	0.5	0.05
M2.5	6	2.7	0.5	0.72	0.61	0.09
M3	7	3.2	0.6	0.85	0.72	0.14
M3.5	8	3.7	0.8	1.06	0.92	0.25
M4	9	4.3	1	1.3	1.12	0.38
M5	11	5.3	1.2	1.55	1.35	0.68
M6	14	6.4	1.5	2	1.7	1.42
M7	17	7.4	1.75	2.3	2	2.51
M8	18	8.4	2	2.6	2.24	3.1
M10	23	10.5	2.5	3.2	2.8	5.13
M12	29	13	3	3.95	3.43	12.35
M14	35	15	3.5	4.65	4.14	21.44
M16	39	17	4	5.25	4.58	30.19
M18	42	19	4.5	5.8	5.08	38.68
M20	45	21	5	6.4	5.6	48.52
M22	49	23	5.5	7.05	6.15	63.07
M24	56	25	6	7.75	6.77	92.3
M27	60	28	6.5	8.35	7.3	112.13
M30	70	31	7	9.2	8	168.92
M33	76	34	7.5	10	8.5	213.52
M36	83	37.2	8	10.5	9.2	271.39
M42	96	43.5	8.5	12	10.5	383.61
M48	110	49.5	9	12.5	11	535.18
M56	128	58	9.5	13.5	12	762.21
M64	136	66	10	14	12.8	871.34
M72	145	74	10.5	15	13	1006.08
M90	160	92.5	11	16	14	1155.31
M100	180	102.5	11.5	17	15	1551.52
M125	220	128	12	19	16.5	2367.49



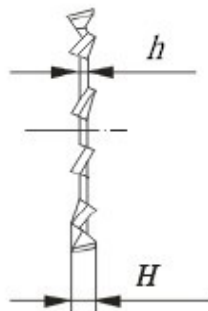
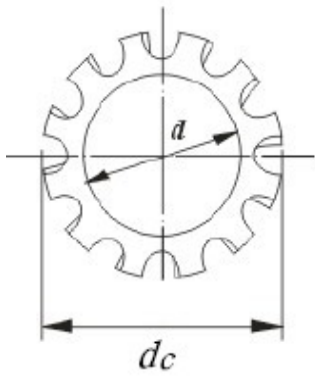
DIN6797A Specs

DIN6797A External Teeth Lock Washer

Material: 65Mn Spring Steel; SUS304.316

Surface Treatment: Black Finishing, Zinc Plated
Nickle Plated 、Dacromet and so on

Size	d H13	dc h14	H min	h	Numer of Teeth
1.6	1.7	3.6	2h	0.3	6
1.8	2	4		0.3	
2	2.2	4.5		0.3	
2.2	2.4	5		0.4	
2.5	2.7	5.5		0.4	
3	3.2	6		0.4	
3.5	3.7	7		0.5	
4	4.3	8		0.5	
5	5.3	10		0.6	8
6	6.4	11		0.7	
7	7.4	12.5		0.8	
8	8.4	15		0.8	
10	10.5	18		0.9	9
12	13	20.5		1	10
14	15	24		1	
16	17	26		1.2	12
18	19	30		1.4	
20	21	33		1.4	14
22	23	36		1.5	
24	25	38		1.5	
27	28	44	1.6		
30	31	48	1.6		



DIN6797J Specs

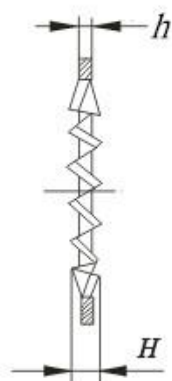
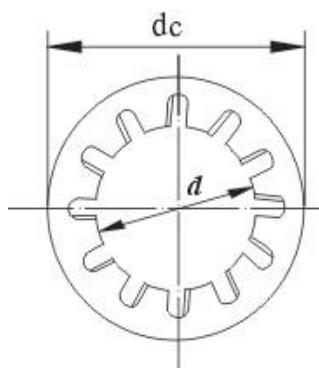
DIN6797J Internal Teeth Lock Washer

Material: 65Mn Spring Steel; SUS304.316

Surface Treatment: Black Finishing, Zinc Plated

Nickle Plated ,Dacromet and so on

Size	d H13	dc h14	H min	h	Number of Teeth
1.6	1.7	3.6	2h	0.3	6
1.8	2	4		0.3	
2	2.2	4.5		0.3	
2.2	2.4	5		0.4	
2.5	2.7	5.5		0.4	
3	3.2	6		0.4	
3.5	3.7	7		0.5	
4	4.3	8		0.5	
5	5.3	10		0.6	8
6	6.4	11		0.7	
7	7.4	12.5		0.8	
8	8.4	15		0.8	
10	10.5	18		0.9	9
12	13	20.5		1	10
14	15	24		1	
16	17	26		1.2	12
18	19	30		1.4	
20	21	33		1.4	14
22	23	36		1.5	
24	25	38		1.5	
27	28	44		1.6	
30	31	48		1.6	



DIN6798A Specs

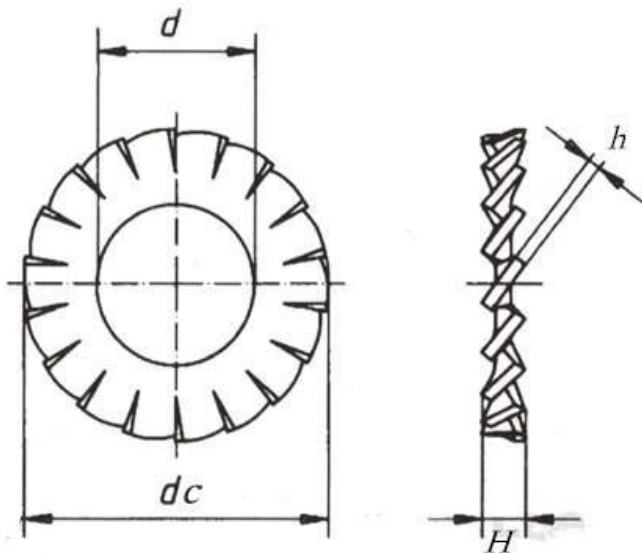
DIN6798A External Serrated Lock Washer

Material: 65Mn Spring Steel; SUS304.316

Surface Treatment: Black Finishing ,Zinc Plated

Nickle Plated ,Dacromet and so on

Size	d H13	dc h14	H min	h	Number of Teeth min
1.6	1.7	3.6	3h	0.3	9
1.8	2	4		0.3	9
2	2.2	4.5		0.3	9
2.2	2.4	5		0.4	9
2.5	2.7	5.5		0.4	9
3	3.2	6		0.4	9
3.5	3.7	7		0.5	10
4	4.3	8		0.5	11
5	5.3	10		0.6	11
6	6.4	11		0.7	12
7	7.4	12.5		0.8	14
8	8.4	15		0.8	14
10	10.5	18		0.9	16
12	13	20.5		1	16
14	15	24		1	18
16	17	26		1.2	18
18	19	30		1.4	18
20	21	33		1.4	20
22	23	36		1.5	20
24	25	38		1.5	20
27	28	44		1.6	22
30	31	48		1.6	22



DIN6798J Specs

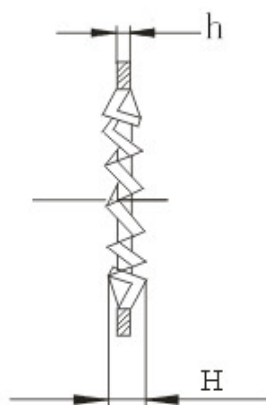
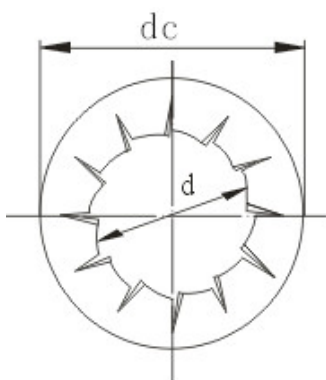
DIN6798J Internal Serrated Lock Washer

Material: 65Mn Spring Steel; SUS304.316

Surface Treatment: Black Finishing , Zinc Plated

Nickle Plated , Dacromet and so on

Size	d H13	dc h14	H min	Height h	Number of Teeth min
1.6	1.7	3.6	3h	0.3	7
1.8	2	4		0.3	7
2	2.2	4.5		0.3	7
2.2	2.4	5		0.4	7
2.5	2.7	5.5		0.4	7
3	3.2	6		0.4	7
3.5	3.7	7		0.5	8
4	4.3	8		0.5	8
5	5.3	10		0.6	8
6	6.4	11		0.7	9
7	7.4	12.5		0.8	10
8	8.4	15		0.8	10
10	10.5	18		0.9	12
12	13	20.5		1	12
14	15	24		1	14
16	17	26		1.2	14
18	19	30		1.4	14
20	21	33		1.4	16
22	23	36		1.5	16
24	25	38		1.5	16
27	28	44	1.6	18	
30	31	48	1.6	18	



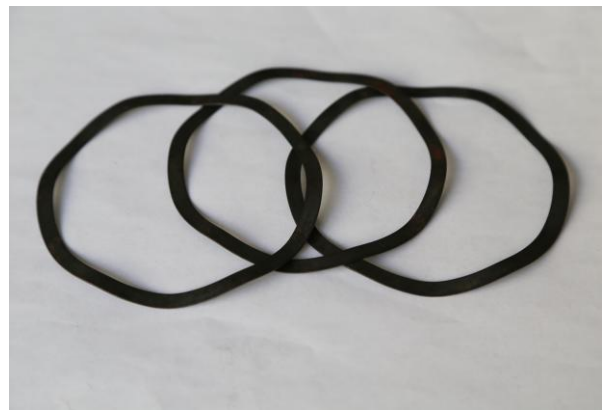
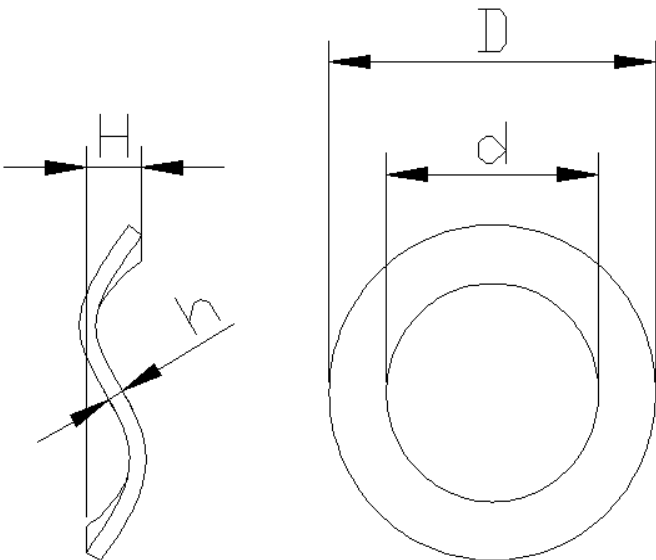
Wave Specs

Wave Washer

Materials: 65Mn Spring Steel; SUS304.316

Surface Treatment : Black Finishing ,Dacromet and so on

Size	Inner d		Outer D		h	Tolerance	Height	
M3	3.2	3.5	7.42	8	0.5	±0.05	0.8	1.6
M4	4.3	4.6	8.42	9	0.5	±0.05	1	2
M5	5.3	5.6	10.3	11	0.5	±0.05	1.1	2.2
M6	6.4	6.76	11.3	12	0.5	±0.05	1.3	2.6
M7	7.4	7.76	13.3	14	0.8	±0.06	1.5	3
M8	8.4	8.76	14.3	15	0.8	±0.06	1.5	3
M10	10.5	10.93	20.16	21	1	±0.07	2.1	4.2
M12	13	14.43	23.16	24	1.2	±0.07	2.5	5
M14	15	15.43	27.16	28	1.5	±0.08	3	5.9
M16	17	17.43	29	30	1.5	±0.08	3.2	6.3
M18	19	19.52	33	34	1.5	±0.08	3.3	6.5
M20	21	21.52	35	36	1.6	±0.08	3.7	7.4
M22	23	23.52	39	40	1.8	±0.1	3.9	7.8
M24	25	25.52	43	44	1.8	±0.1	4.1	8.2
M27	28	28.52	49	50	2	±0.1	4.7	9.4
M30	31	31.62	54.8	56	2	±0.1	5	10

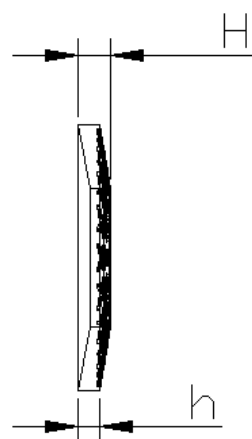
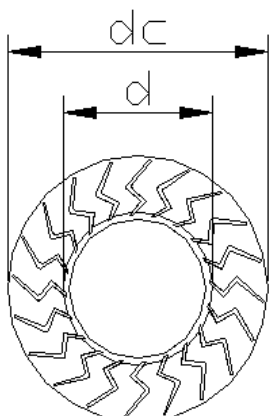


Single Side Teeth Specs

Single Side Lightning Lock Washer

Material: 65Mn Spring Steel; SUS304.316
 Surface Treatment: Black Finishing ,Zinc Plated
 Nickle Plated ,Dacromet and so on

d			dc		h		H	
Nominal Diameter	max	min	Nominal	Tolerance	Nominal	Tolerance	max	min
3	3.35	3.1	6	± 0.24	0.5	± 0.03	0.9	0.7
			8	± 0.29	0.6		1	0.8
			10	± 0.29	0.6		1.2	0.95
4	4.4	4.1	8	± 0.29	0.8	± 0.04	1.2	1
			10	± 0.29	0.9		1.4	1.15
			14	± 0.35	1		1.8	1.4
5	5.4	5.1	10	± 0.29	1	± 0.05	1.6	1.25
			12	± 0.35	1.1		1.8	1.45
			16	± 0.35	1.2		2.1	1.7
6	6.4	6.1	12	± 0.35	1.2	± 0.06	1.85	1.55
			14	± 0.35	1.3		2.1	1.75
			18	± 0.35	1.4		2.5	2.1
8	8.58	8.2	16	± 0.35	1.4	± 0.07	2.2	1.8
			18	± 0.35	1.4		2.35	1.9
			22	± 0.42	1.4		2.7	2.2
10	10.56	10.2	20	± 0.42	1.6	± 0.08	2.6	2.1
			22	± 0.42	1.6		2.75	2.25
			27	± 0.42	1.8		3.1	2.6
12	12.83	12.4	24	± 0.42	1.8	± 0.09	2.9	2.4
			27	± 0.42	1.8		3.1	2.6
			32	± 0.5	2		3.6	3.1
14	14.83	14.4	30	± 0.42	2.4	± 0.10	3.7	3.2
16	16.83	16.4	32	± 0.5	2.8		4.1	3.6
20	21.02	20.05	40	± 0.5	3.2		4.9	4.3



Rui Bo(Suzhou) Machinery and Electronics Co., Ltd.

ADD: No.368 Heshan Road,Suzhou City,Jiangsu Province,China

TEL: (86)0512-67206071 67206072 68380858 ext 807

Mob : (86) 15371861353 18501569079

Fax: (86)0512-67272265

E-mail:sales1@rbo-global.com

sales1@rbo-globe.com

<http://www.rbo-global.com>

<http://ruiBOTOP1.en.made-in-china.com>