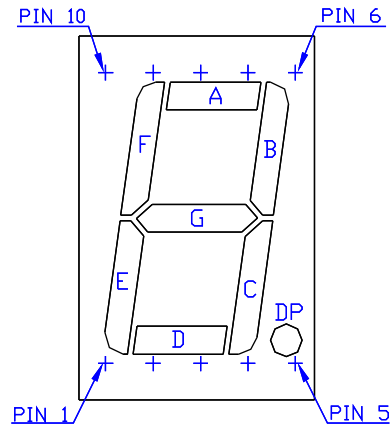
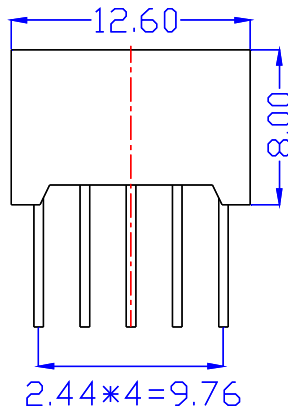
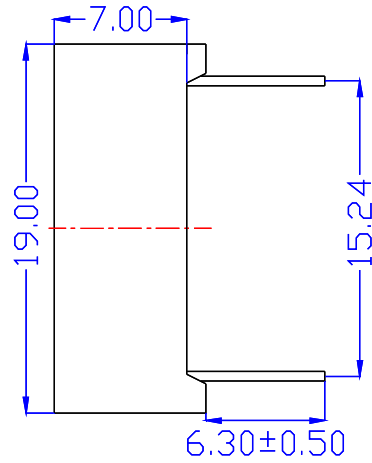
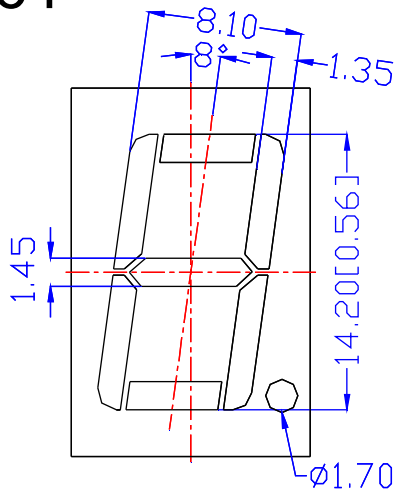
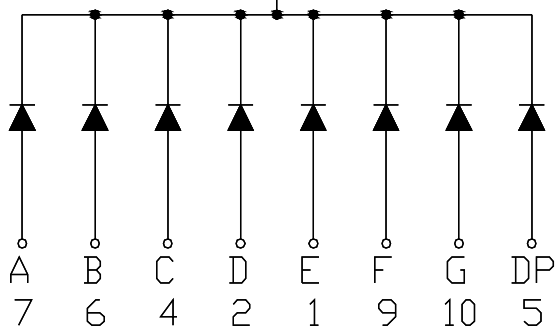


LB10561



CODE E

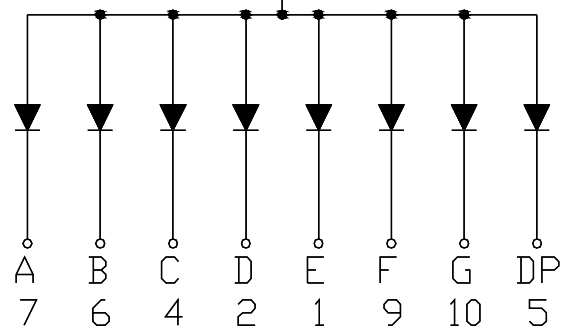
3,8



Common Cathode

CODE B

3,8



Common Anode