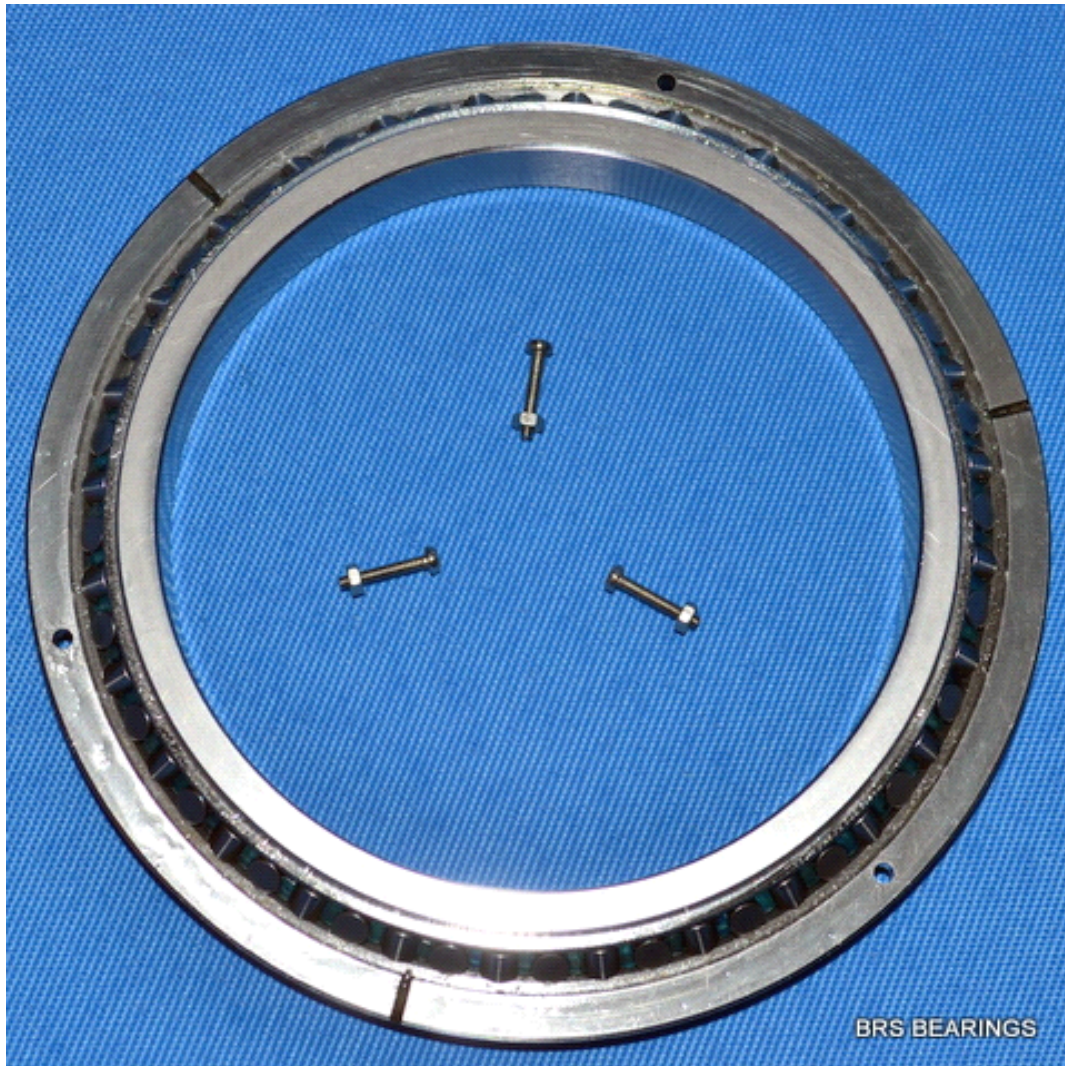
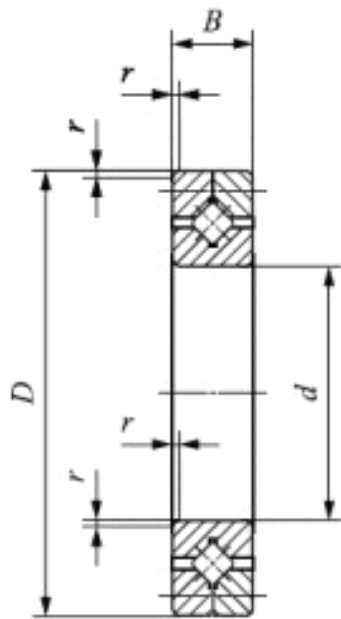
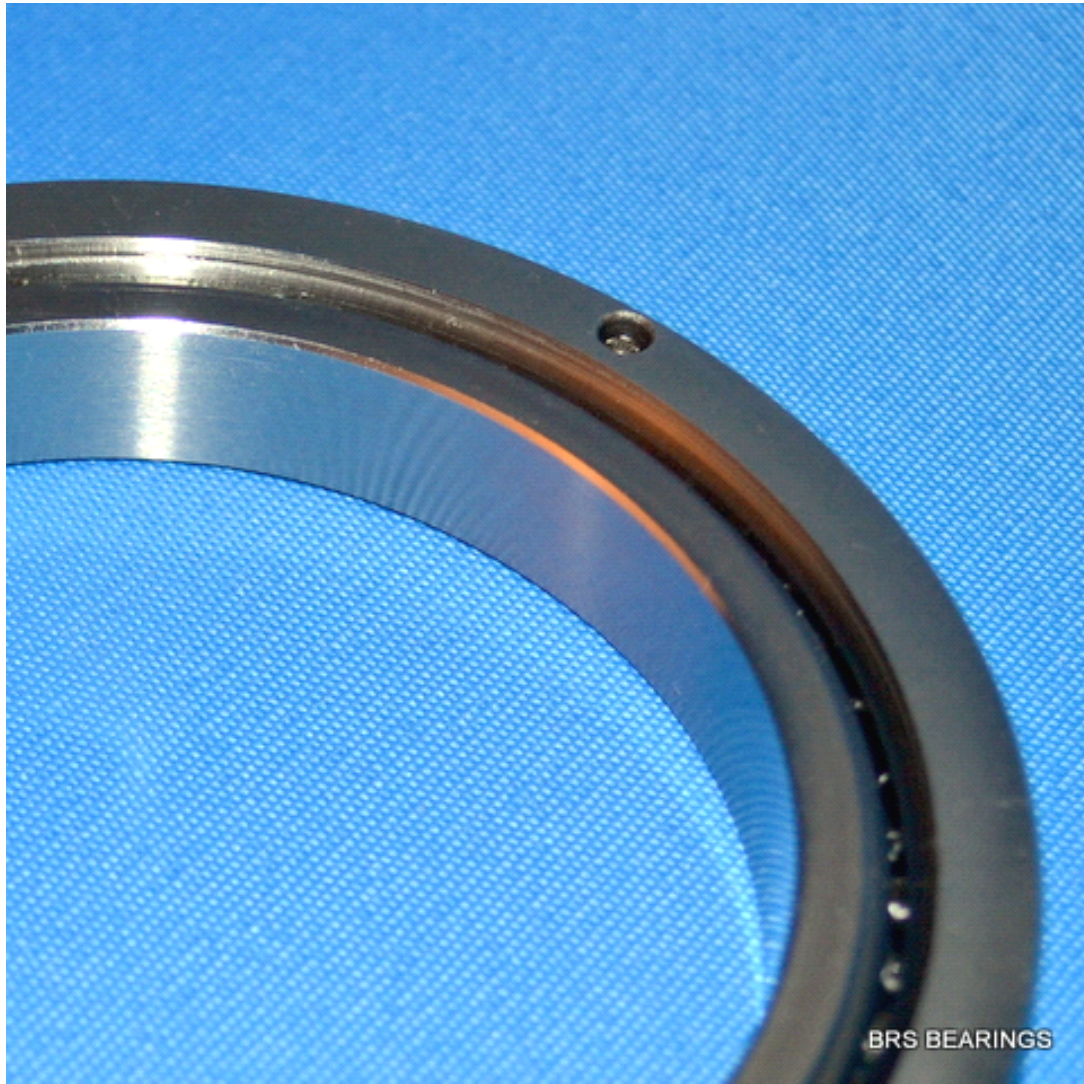


IKO CRB14025 Crossed Roller Bearings JAPANESE spec



- Structure: full complement Crossed Roller Bearing
- Gear teeth: without
- Seals type: Open
- Material: 52100/100Cr6/GCr15
- Product description: IKO CRB14025 Crossed Roller Bearings JAPANESE spec-BRS IKO type CRB14025 Cross Cylindrical Roller Bearing material is GCr15 crossed roller slewing bearing, also used as turntable slewing ring bearings



Full complement
CRB

Crossed Roller Bearing CRB14025/CRB14025UU

d 140 mm

D 200 mm

B 25 mm

r_{smin} 1.5

Cr 74.8 KN Basic dynamic load rating

Cor 121 KN Basic static load rating

Mass 2.96 kg

BRS BEARING IKO Type CRB Series cross cylindrical roller bearing Model

Open type	With seal	d	D	B	r _{smin}	Cr	Cor	Mass (kg)
CRB3010	CRB3010UU	30	55	10	0.3	7.35	8.36	0.12
CRB4010	CRB4010UU	40	65	10	0.3	8.33	10.6	0.15
CRB5013	CRB5013UU	50	80	13	0.6	16.7	20.9	0.29
CRB6013	CRB6013UU	60	90	13	0.6	18	24.3	0.33
CRB7013	CRB7013UU	70	100	13	0.6	19.4	27.7	0.38
CRB8016	CRB8016UU	80	120	16	0.6	30.1	42.1	0.74
CRB9016	CRB9016UU	90	130	16	1	31.4	45.3	0.81
CRB10020	CRB10020UU	100	150	20	1	33.1	50.9	1.45
CRB11020	CRB11020UU	110	160	20	1	34	54	1.56
CRB12025	CRB12025UU	120	180	25	1.5	66.9	100	2.62
CRB13025	CRB13025UU	130	190	25	1.5	69.5	107	2.82
CRB14025	CRB14025UU	140	200	25	1.5	74.8	121	2.96
CRB15025	CRB15025UU	150	210	25	1.5	76.8	128	3.16
CRB15030	CRB15030UU	150	230	30	1.5	100	156	5.3
CRB20025	CRB20025UU	200	260	25	2	84.2	157	4
CRB20030	—	200	280	30	2	114	200	6.7
CRB20035	—	200	295	35	2	151	252	9.58
CRB25025	CRB25025UU	250	310	25	2.5	69.3	150	4.97
CRB25030	—	250	330	30	2.5	126	244	8.1
CRB25040	—	250	355	40	2.5	195	348	14.8
CRB30025	CRB30025UU	300	360	25	2.5	76.3	178	5.88
CRB30035	—	300	395	35	2.5	183	367	13.4

CRB30040	—	300	405	40	2.5	212	409	17.2
CRB40035	—	400	480	35	2.5	156	370	14.5
CRB40040	—	400	510	40	2.5	241	531	23.5
CRB40070	—	400	580	70	2.5	470	811	72.4
CRB50040	—	500	600	40	2.5	239	607	26
CRB50050	—	500	625	50	2.5	267	653	41.7
CRB50070	—	500	680	70	2.5	536	1020	86.1
CRB60040	—	600	700	40	3	264	721	30.6
CRB60070	—	600	780	70	3	591	1230	102
CRB600120	—	600	870	120	3	1250	2270	274
CRB70045	—	700	815	45	3	281	836	46.5
CRB70070	—	700	880	70	3	630	1390	115
CRB700150	—	700	1020	150	3	1660	3010	478
CRB80070	—	800	950	70	4	468	1330	109
CRB800100	—	800	1030	100	4	936	2040	247
Open type	With seal	d	D	B	rsmin	Cr	Cor	Mass (kg)

To learn more about our company or get the Installation Instructions of IKO CRB14025 Cross Cylindrical Roller Bearing regarding the installation size, weight, basic dynamic load rating, load, limiting speed, and clearance, please contact us. Drawing and sample of IKO CRB14025 Cross Cylindrical Roller Bearing are available