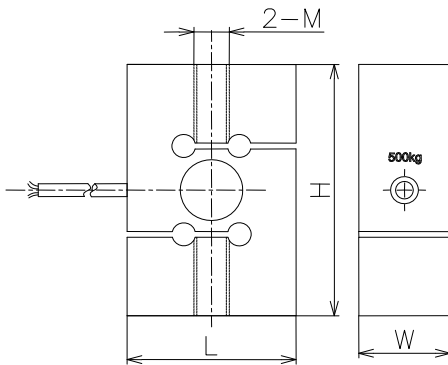


# B315

## 安装尺寸/Mounting Dimension



Cap (kg)	L	H	W	M
50	50.8	63.5	25.4	M8
100, 200	50.8	76.2	25.4	M12
500	57.2	87.3	31	M12
1000	57.2	87.3	31	M12
2000	69.8	100	36.5	M24×2
3000	69.8	100	36.5	M24×2
5000	76.2	114.3	36.5	M24×2

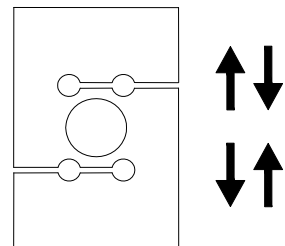


## 特点与用途/Features & Applications

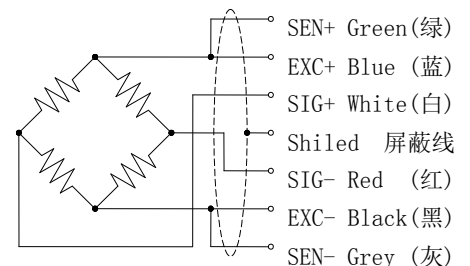
- 高度低，变形量小
- 不锈钢材料
- 拉压双向
- 主要用于推、拉力计，料斗秤，各种工业称重系统等

- low profile , small deflection
- Made of stainless steel
- Tension and compression application
- Mainly used for pull and push dynamometer, hopper scale and industrial measuring system

## 受力方式/Load Direction



## 配线图/Wiring Code



参数	Specifications	技术指标/Technique
额定容量	Capacity	50,100,200,500,1000,2000,3000,5000kg
输出灵敏度	Rated output	2.0±0.25mV/V
零点输出	Zero balance	0.01mV/V
非线性	Non-linearity	0.018%F.S.
滞后	Hysteresis	±0.018% F.S.
重复性	Repeatability	0.018%F.S.
蠕变 (30min)	Creep(30min)	0.024%F.S.
温度灵敏度漂移	Temp.effect on output	0.014%F.S./10℃
零点温度漂移	Temp.effect on zero	0.017%F.S./10℃
输入电阻	Input impedance	350±5Ω
输出电阻	Output impedance	350±5Ω
绝缘电阻	Insulation	≥5000MΩ/100VDC
激励电压	Recommended excitation	5V
最大激励电压	Maximum excitation	15V
温度补偿范围	Compensated temp range	-10~40℃
工作温度范围	Operation temp range	-30~70℃
安全超载	Safe overload	150%F.S.
极限超载	Ultimate overload	300%F.S.
电缆线尺寸	Cable size	Φ5.4×3000mm
材料	Material	Stainless Steel (不锈钢)
防护等级	IP Class	IP68