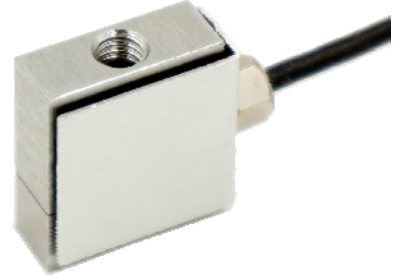
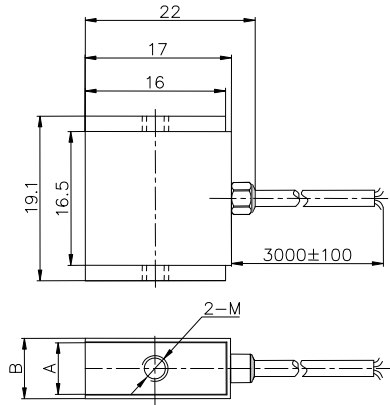


B313

安装尺寸/Mounting Dimension



Capacity (N)	A	B	M
2.5,5,10,20	5	6.8	M3
50,100,200,300,500	6	7.5	M4

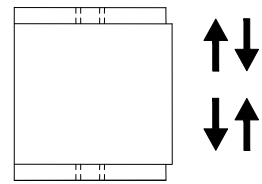
特点与用途/Features & Applications

- 微型传感器，高度低，变形量小
- 不锈钢或铝合金材料
- 拉压双向
- 主要用于推、拉力计，料斗秤，各种工业称重系统等

- Miniature load cell , low profile , small deflection
- Made of stainless steel or Aluminum ally
- Tension and compression application
- Mainly used for pull and push dynamometer,hopper scale and industrial measuring system

参数	Specifications	技术指标/Technique
额定容量	Capacity	2.5,5,10,20,50,100,200,300,500N
输出灵敏度	Rated output	2.0±10% mV/V
零点输出	Zero balance	±0.02 mV/V
非线性	Non-linearity	0.05%F.S.
滞后	Hysteresis	0.05%F.S.
重复性	Repeatability	0.05%F.S.
蠕变 (30min)	Creep(30min)	0.05%F.S.
温度灵敏度漂移	Temp.effect on output	0.05%F.S./10℃
零点温度漂移	Temp.effect on zero	0.05%F.S./10℃
输入电阻	Input impedance	350±30Ω
输出电阻	Output impedance	350±5Ω
绝缘电阻	Insulation	≥5000MΩ/100VDC
激励电压	Recommended excitation	5V
最大激励电压	Maximum excitation	15V
温度补偿范围	Compensated temp range	-10~60℃
工作温度范围	Operation temp range	-20~80℃
安全超载	Safe overload	150%F.S.
极限超载	Ultimate overload	300%F.S.
电缆线尺寸	Cable size	φ2×4000mm
单件重量	Weight approx.	0.1kg
材料	Material	Stainless Steel (不锈钢)
防护等级	IP Class	IP66

受力方式/Load Direction



配线图/Wiring Code

