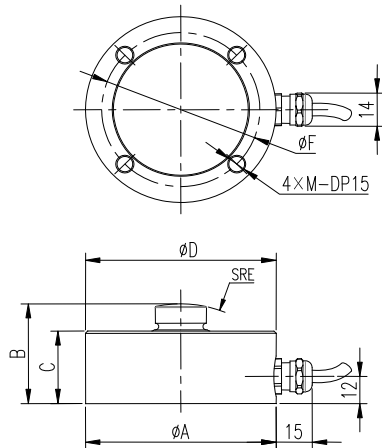


安装尺寸/Mounting Dimension



B110

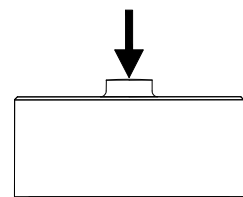


特点与用途/Features & Applications

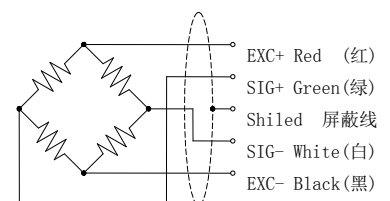
- 高度低, 变形量小
- 不锈钢材料
- 可定制、防护等级: IP67
- 适用于各种小空间的测力, 广泛应用于工业、研发等领域的测量和控制
- Low profile, small deflection
- Made of stainless steel
- Customizable, IP67 protection
- Suitable for force measurement in limited spaces. Widely used for industrial measurement and control, R&D and other applications

Capacity (kN)	A	B	C	D	E	F	M
5,10,20,30,50,100	82	44	32	22	50	68	M8
150,200	100	48	36	28	100	80	M8
300	126	54	40	35	100	101	M10
500,1000	165	80	62	60	150	144	M10

受力方式/Load Direction



配线图/ Wiring Code



参数	Specifications	技术指标/Technique
额定容量	Capacity	5,10,20,30,50,100,150,200 300,500,1000kN
输出灵敏度	Rated output	1.5±10% mV/V
零点输出	Zero balance	±0.05 mV/V
非线性	Non-linearity	0.05%F.S.
滞后	Hysteresis	0.05%F.S.
重复性	Repeatability	0.05%F.S.
蠕变 (30min)	Creep(30min)	0.05%F.S.
温度灵敏度漂移	Temp.effect on output	0.03%F.S./10°C
零点温度漂移	Temp.effect on zero	0.03%F.S./10°C
输入电阻	Input impedance	385 ± 20Ω
输出电阻	Output impedance	350 ± 10Ω
绝缘电阻	Insulation	≥5000MΩ/100VDC
激励电压	Recommended excitation	10V
最大激励电压	Maximum excitation	15V
温度补偿范围	Compensated temp range	-10~60°C
工作温度范围	Operation temp range	-20~80°C
安全超载	Safe overload	150%F.S.
极限超载	Ultimate overload	300%F.S.
电缆线尺寸	Cable size	φ 5×5000mm
材料	Material	Stainless Steel (不锈钢)
防护等级	IP Class	IP67