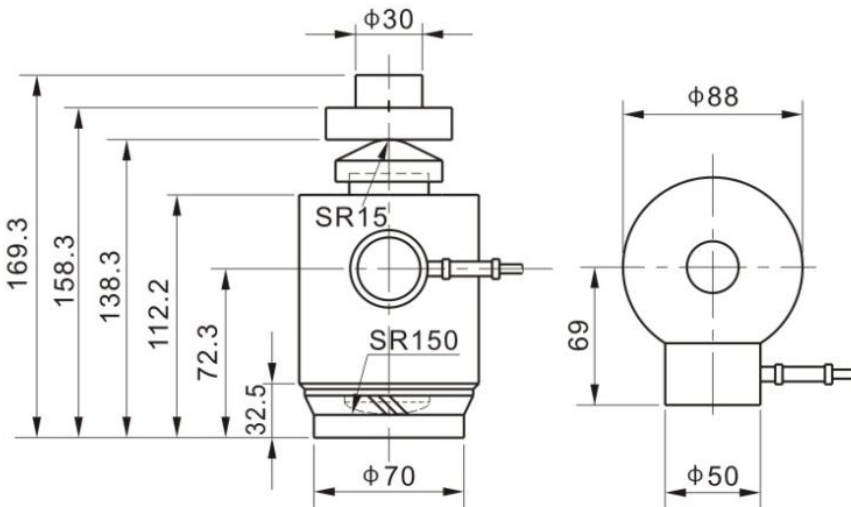


安装尺寸/Mounting Dimension

BP-6



特点与用途/Features & Applications

- 不锈钢材质，稳定性强
- 适用于各种环境，IP68
- 主要用于汽车衡，料斗秤，各种工业称重系统等
- Stainless steel construction, hermetically welded, oil-proof, anti-corrosive gas and medium making it suitable for all kinds of environments.
- Column structure, anti-reversal design, good self-aligning ability, suitable for electronic platform scales, automobile testing facilities, hopper scales and other electronic weighing devices.

参数	Specifications	技术指标/Technique
额定容量	Capacity	10t,20t,30t
精度等级	Accuracy class	C3
输出灵敏度	Rated output	1.5±0.005mV/V
零点输出	Zero balance	±1%F.S.
滞后	Hysteresis	±0.02%F.S.
重复性	Repeatability	±0.01%F.S.
蠕变 (30min)	Creep(30min)	±0.02%F.S.
温度灵敏度漂移	Temp.effect on output	±0.02%F.S./10°C
零点温度漂移	Temp.effect on zero	±0.02%F.S./10°C
输入电阻	Input impedance	670±10Ω
输出电阻	Output impedance	600±5Ω
绝缘电阻	Insulation	≥5000MΩ/100VDC
激励电压	Recommended excitation	10V
温度补偿范围	Compensated temp range	-10~50°C
工作温度范围	Operation temp range	-20~60°C
安全超载	Safe overload	200%F.S.
极限超载	Ultimate overload	300%F.S.
电缆线尺寸	Cable size	Φ6×12000mm
材料	Material	Stainless steel housing
防护等级	IP Class	IP68

配线图/ Wiring Code

