

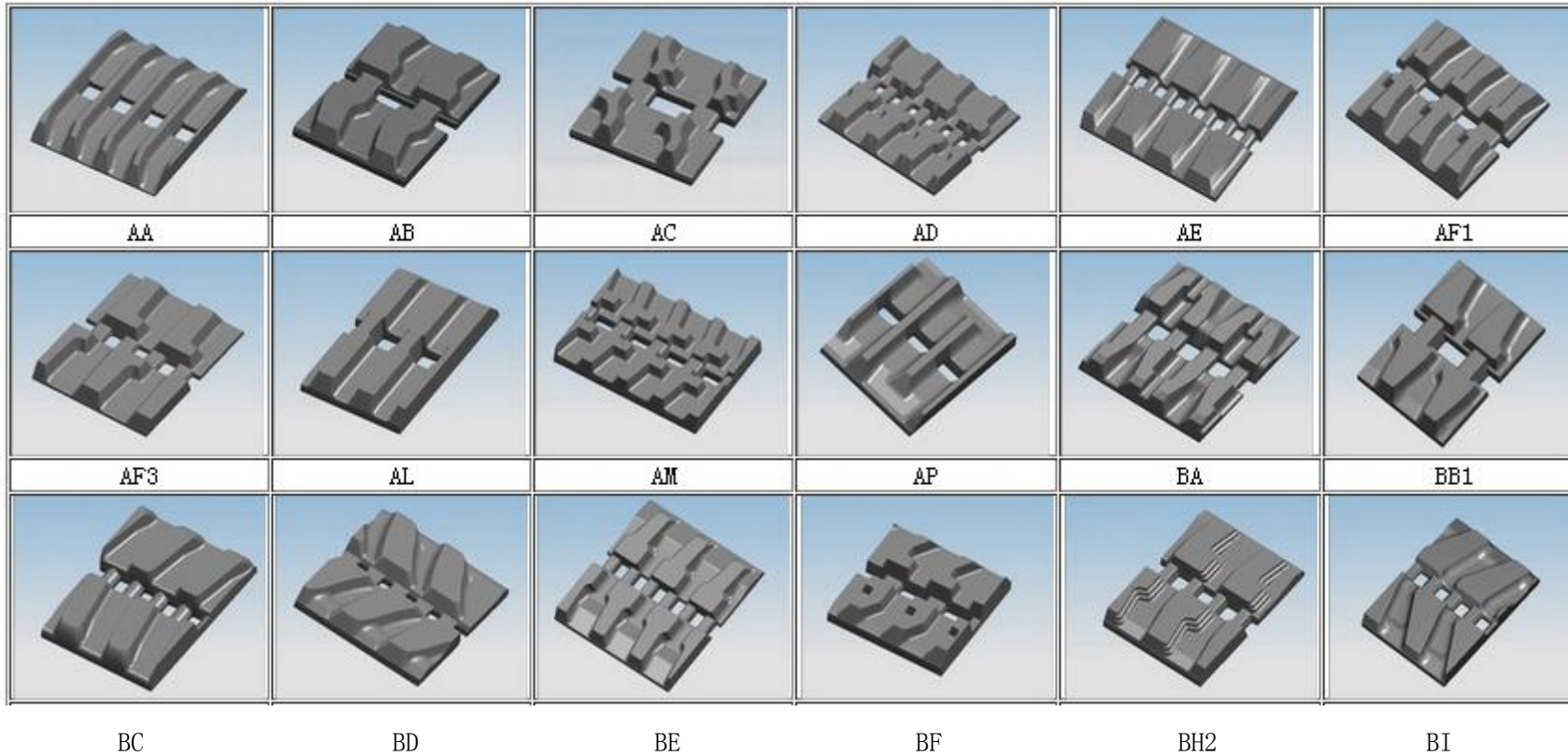
SHANGHAI PUYI INDUSTRIAL CO.,LTD

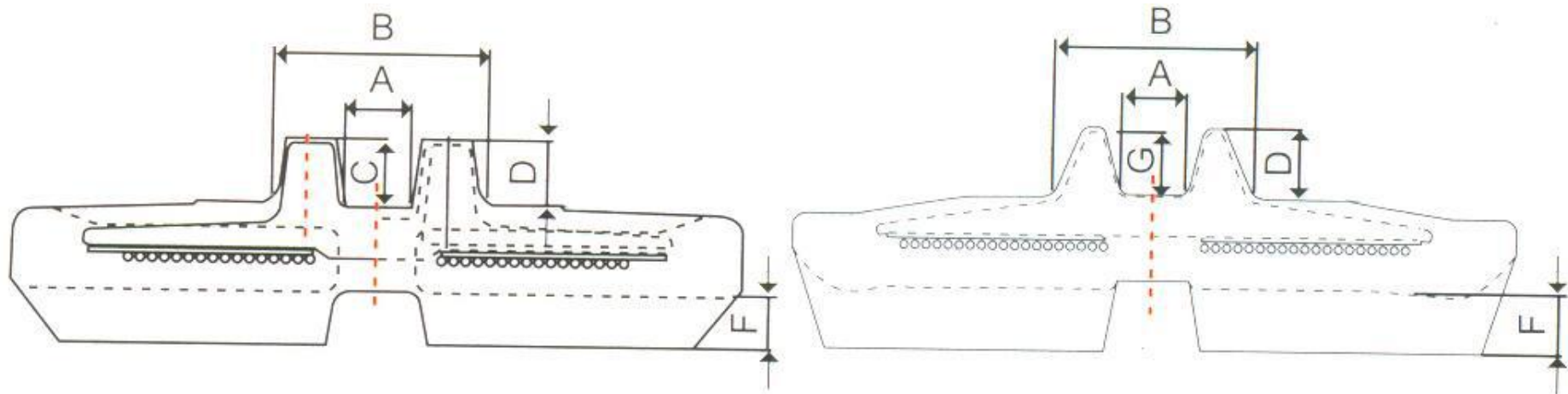
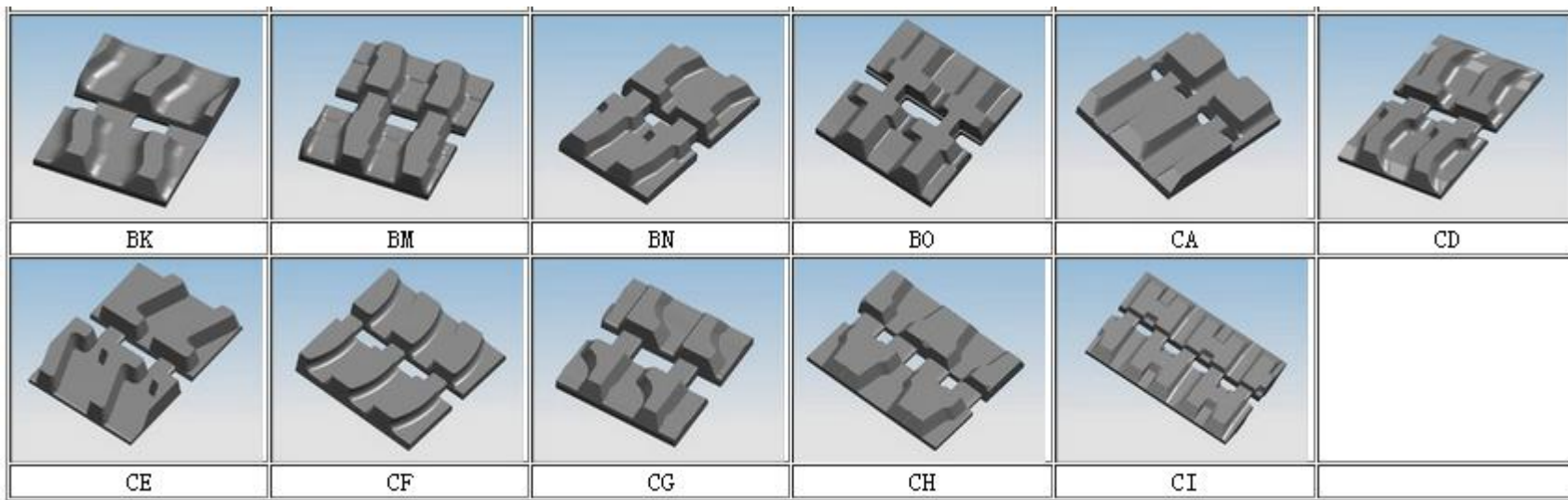
ADD:NO.3585 FENGZHE ROAD,SHANGHAI,CHINA.

TEL:86-21-3758 0296 FAX:86-21-3758 0295

Rubber Tracks Specification

Pattern:





Regular rubber									
size	width*pitch	link	A	B	C	D	F	pattern	guiding
130*72		29-40	23	64.5	28	28	15	AF1	A2
150*60		32-40	22	64	22.5	24.5	15	AC	A2
150*72		29-40	23	64	23	23	15	AC	A2
170*60		30-40	19	57	22	22	13	CE	A1
180*60		30-40	23.5	64	21	21.5	15	AM	A1
180*72		31-43	25	68	29	29	15	BK	A2
180*72K		32-48	20	61	22	19.5	17	BB1	B2
B180*72		31-43	23	66	30	29	15	BB1	B2
H180*72		30-50	23	64	27	26	17	BK	A2
V180*72K		30-50	20	61	22	19.5	17	BM	A2
190*60		30-40	23.5	64	21	21.5	14	AM	A1
190*72		31-41	21	68	27.5	26.5	15	BF	A2
200*72		34-47	23	76	28.5	26.5	18	BB1	A2
200*72K		37-47	21	69	29.5	29	18	BM	A2
Y200*72		40-52	24	64	28.5	29.5	12	BK	A2
230*48		60-84	24	72	24	25	21	BI	B1
230*48A		60-84	26	69	22	24	17		B1
230*48K		60-84	24	66	21	20	19	BI	B2
230*72		42-56	24	82	30	26	18	AF1	A2
230*72K		42-56	20	69	29.5	28	16	BD	A2
V230*72K		42-56	20	69	29.5	28	16	BM	A2
230*96		30-48	25	68	23.5	25.5	22	BE	B1
230*101		30-36	25	74	22.5	29	19	BO	B1
250*47K		84	23	70	24	20	22	BD	B2
250*48.5K		80-88	24	66	21	20	19	CA	B2
250*52.5K		72-78	26	81	23	25	25	BA	B2
250*52.5		72-78	29	72	23	25	21	BI	B1
230*48A		60-84	26	69	22	24	17		B1
250*72		47-57	24	82	30	26	18	AF1	A2
B250*72		34-60	23	64	29	22	10	CI	A2
B250*72B		34-60	23	78	29	26	16	AB	B2

250*96	35-38	25	70	20	19	22	BB1	B2
250*109	35-38	40	89	24.5	14	20	CG	B1
260*52.5	74-80	40	88	23	22	23	BI	B1
260*55.5K	74-80	31	80	21.5	27	24	CA	B2
Y260*96	38-41	25	68	23	25.5	22	AB	B1
V265*72	34-60	23	78	30	26	19.5	BM	A2
260*109	35-39	30	84	24	29	15	AB	B1
E280*52.5K	70-88	29	84	27	26	22	BI	B2
280*72	45-64	25	78	29.5	26	22	AL	A2
Y280*106K	35-42	30	80	27.5	28	20	AB	B2
300*52.5N	72-98	30	82	25	18	20	BI	B1
300*52.5W	72-92	43	96	22	23	22	BE	B1
300*52.5K	70-88	29	84	27	26	22	BI	B2
300*52.5KW	72-92	40	92	25	24	22	BI	C1
E300*52.5K	70-88	29	84	27	26	22	BI	B2
KB300*52.5	72-92	40	90	24.5	24.5	22	BI	C1
KB300*52.5N	72-98	30	82	23	20	25	BI	B1
JD300*52.5N	72-98	30	80	23.5	22	22	BI	B1
300*53K	80-96	31	88	25	19.5	21	BI	B2
300*55	70-88	29	86	25.5	27.5	23	BI	B1
300*55Y	70-88	30	92	21	27.5	25	BI	B2
300*55.5K	76-82	31	82	22	27	21.5	CA	B2
300*71K	72-76	42	106	23	24	40	BD	B2
300*72	36-40	23	75	40	34	18	BK	A2
BA300*72	36-46	26	76	29	27	19	AF1	A2
300*109N	35-42	29	82	27	28	25	BE	B1
300*109W	35-44	38	90	26	29	24	BB1	B1
K300*109	37-41	27	85	23.5	27.5	20	AB	B2
300*109WK	35-42	40	90	24.5	14	23	CG	B1
320*52.5	72-98	30	83	23.5	18	21	BI	B1
320*54	70-84	29	80	23	21	20	AB	B1
B320*55K	70-88	30	82	25	30	23	BE	B2
Y320*106K	39-43	31	80	26	27	24	AB	B2

350*52.5	70-92	40	94	22.5	19	30.5	BE	B1
E350*52.5K	70-88	29	84	27	26	22	BI	B2
350*54.5K	80-86	40	92	23.5	22.5	23	AD	B2
B350*55K	70-88	30	82	25	30	23	BE	B2
350*56	80-86	39	89	25.5	16.5	20.5	BC	B1
350*75.5K	74	37	98	24.5	25	25	CA	C2
350*108	40-46	40	90	24.5	14	25	CG	B1
350*109	41-44	40	92	26	20	25	BO	B1
Y370*107K	39-41	38	94	25.5	28	23.5	AB	B2
400*72.5N	70-80	38	100	26	24	25	AF3	B1
400*72.5W	68-92	51	108	26	24	25	BI	B1
Y400*72.5K	72-74	28	86	30	24.5	25	AF3	C2
KB400*72.5K	68-76	37	94	24	26	23.5	BA	B2
400*72.5KW	68-92	46	112	24	23.5	25	BI	B2
400*74	68-76	38	100	25.5	29.5	24	BH2	B1
400*75.5K	74	39	100	25	26	25	CA	C2
Y400*107K	46	38	89	27	25	25	AB	C2
K400*142	36-37	27	87	34	27	29	CF	C2
400*144	36-41	47	98	27	11	30	CF	B1
Y400*144K	36-41	35	126	29.5	26	25	BE	B2
450*71	76-88	42.5	115	29.5	17	30	BE	B1
DW450*71	76-88	44	114	31	27	25	BD	B1
450*73.5	76-84	42	118	31	34	28	CG	B1
450*76	80-84	48	122	30.5	31.5	26	BI	B1
450*81N	72-80	42	117	26	24	27	BE	B1
450*81W	72-78	58	140	29	32	30	BI	B1
KB450*81.5	72-80	42	110	31.5	27.5	26	BD	B1
K450*83.5	72-74	42	112	24.5	25	28	BI	B1
Y450*83.5K	72-74	38	113	24	27	26	CA	B2
K450*163	38	38	114	27	28	30	AB	B2
485*92W	74	62	142	34	33	30	BE	B2
K500*71	72-76	41	106	23	24	42	BE	B2
500*92	72-84	48	130	27	26	29	BI	B1
500*92W	78-84	64	155	32.5	35.5	33	BI	B1
K500*146	35	40	106	26.5	24.5	50	BB1	A2

DUMPER TRACK									
size	width*pitch	link	A	B	C	D	F	pattern	guiding
300*84N		42-56	22	60	31.5	29	28	AP	A2
320*90		52-56	32	86	50	35	28	AA	A2
U320*90		56-76	37	85	47	32	29	AA	A2
320*100		38-54	29	74	30	25	23	BN	A2
320*100W		37-65	38	80	34	25	22	CD	A2
350*100		46-60	45	112	45	48	27	AA	A2
U380*90		56-76	34	85	48	34	30	AA	A2
420*100		50-58	49	99	50.5	36	25	AA	A2
450*110		74	45	120	64	55	21	AL	A2
500*90		76-82	42	94	51	36	30	AA	A2
500*100		71	45	112	57	54	45	AL	A2
600*100		76-80	44	113	60	49	36	AL	A2
600*125		56-64	43	124	76	61	30	AL	A2
650*110YM		88	48	114	76	60	34	AL	A2
650*120		78	44	130	91	69	38	AL	A2
650*125		80	56	170	90	68	44	AL	A2
700*100		80-98	48	125	75	58	50	AL	A2
700*125		56-64	55	144	68	56	32	AL	A2
750*150		66	62	176	94	68	38	AL	A2
800*125		80	62	175	95	88	32	AL	A2
800*150YM		67-70	76	158	98	68	40	BC	A2
M800*150		66-68	60	148	73	71	35	AL	A2
K800*150		67-70	80	189	108	78	35	AL	A2
900*150		68-80	80	200	101	66	48	AL	A2
1000*150		86	78	210	101	58	37	AL	A2

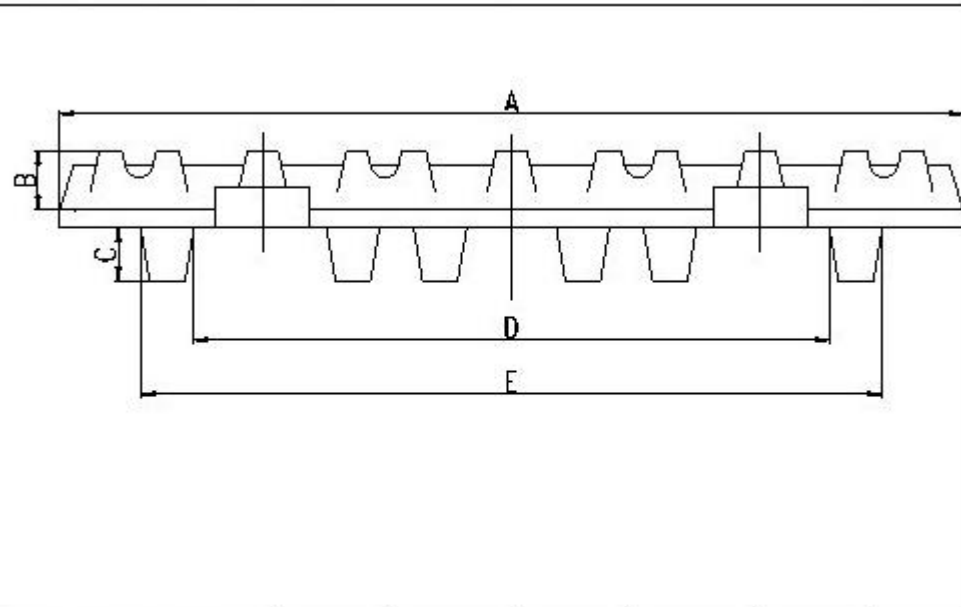
SKID STEER LODER TRACK

size width*pitch	link	A	B	C	D	F	pattern	guiding
B180*72A	31-43	23	63	29	22	10	AE	B2
B250*72A	34-60	23	63	29	22	10	AE	B2
B250*72CT	34-60	29	76	38	30	21		A2
E250*72	34-60	29	76	36	27	22.5	CH	B2
B300*84	48-52	48	95	48	36	25	AE	A2
T300*86K	48-52	36	84	43.5	31.5	22	AA	A2
B320*84	50-53	46	96	48	34	25	AE	A2
T320*86K	48-52	36	84	43.5	31.5	25	CH	A2
B320*86	49-52	48	95	48	36	25	AE	A2
B400*86	52-55	48	97	48	36	25	AE	A2
B450*84	53-56	48	97	48	36	25	AE	A2
B450*86	52-55	48	97	48	36	25	AE	A2
T450*100K	48-65	50	104	47	44	30	CH	A2

ANTI-VIBRATION RUBBER TRACK

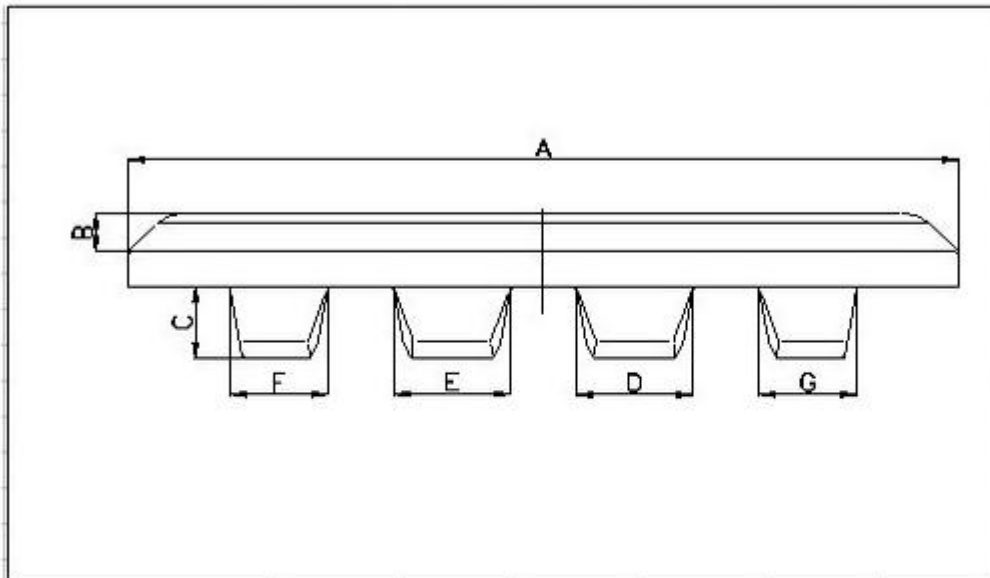
size width*pitch	link	A	B	C	D	F	pattern	guiding
230*48KZ	60-84	24	68	24	20	19	BI	B2
300*52.5NKZ	72-98	29	84	24.5	26	20	AF3	B2
300*52.5WKZ	72-98	40	90	26	24.5	22	BI	B2
400*72.5NKZ	68-92	37	96	25	27	25	AF3	B2
400*72.5WKZ	68-92	46	112	25	23.5	25	BI	B2

SNOW MOBILE TRACK



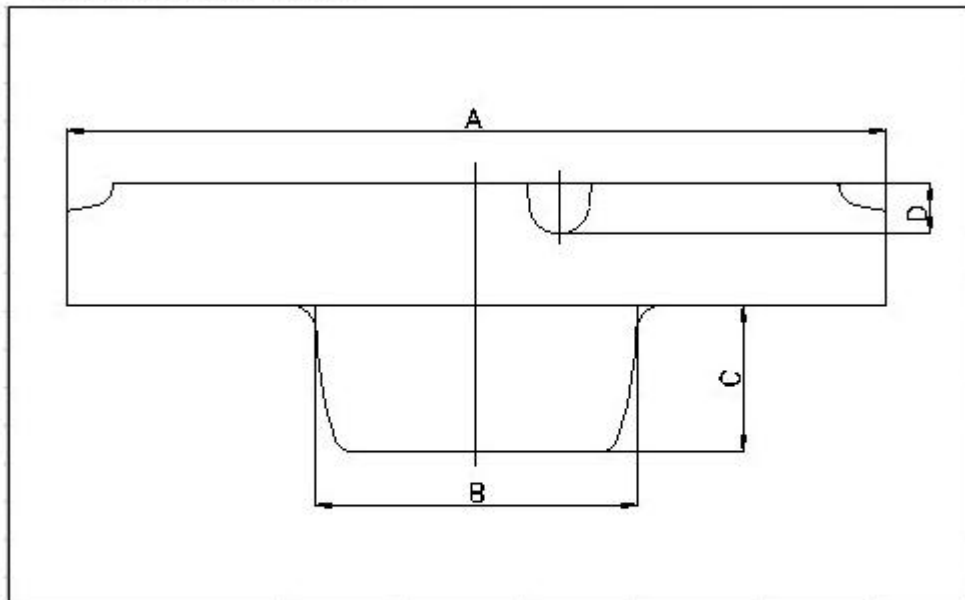
size width*pitch	A	B	C	D	E
256*65	256	17	15	180	210
381*64	381	22	16	273	307
WD300*72	300	19	32	24	68

PT TRACK



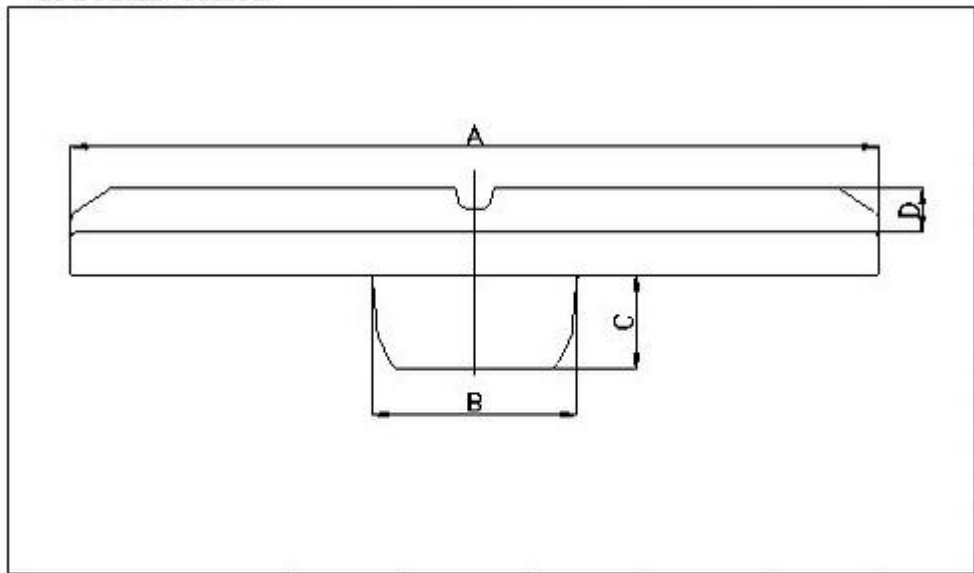
size width*pitch*link	A	B	C	D	E	F	G
11"*4"*37	280	26	46	100	0	0	0
15"*4"*42	380	24	45	100	64	0	0
15"*4*B*51	380	25	45.5	144	60	0	0
18"*4"*51	460	24	46	100	100	0	0
18"*4"*56	460	24	46	100	100	0	0
18"*4"C*51	460	25	46	94.5	71.5	71.5	0
20"*4"*51	508	25	46.5	94.5	71.75	71.75	60

PAVER RUBBER TRACK



size width*pitch*link	A	B	C	D
14" *6" *46	356	140	64	22
19" *6" *52	483	140	64	22
18" *9" *36	456	120	100	40

SPECIAL TRACK



尺寸 宽度*节距*节数 (mm)	A	B	C	D
6" * 3.5" * 28	149	63.5	31	14
10" * 3.5" * 28	250	63.5	31	14
L10" * 3.5" * 51	250	52	42	14