

TERMINAL BLOCK Connector

PCB Terminal Blocks

KLS2-104-5.00 PCB Terminal block 5.0mm Pitch

Electrical :

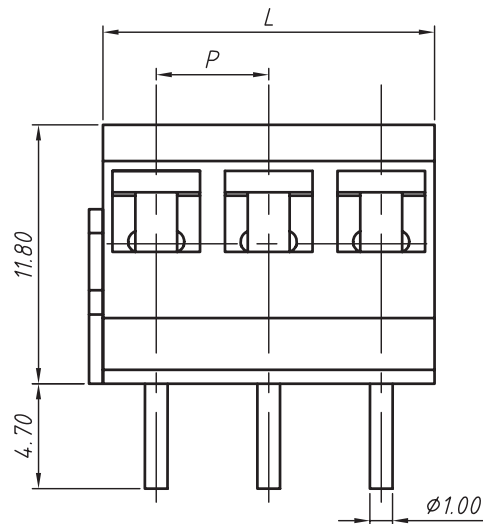
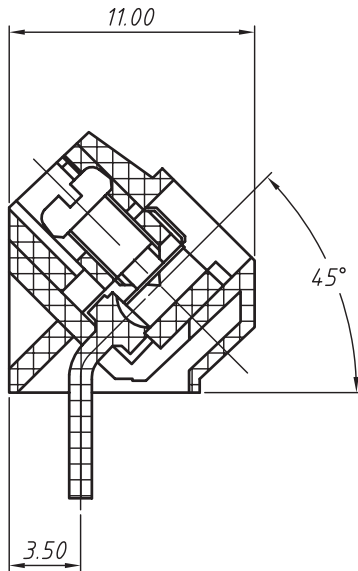
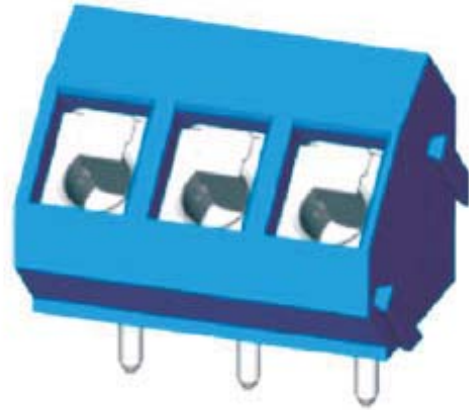
Rated voltage: 250V
Rated current: 10A
Insulation resistance: DC500V 500MΩ
Withstanding Voltage: AC2000V/1Min
Wire range: 22-14AWG

Material

Screws: M2.5 steel Zinc plated
Contact: Brass, Electroless nickel
Pin header: Brass, Tin-plated
Shrapnel: Stainless Steel
Housing: PA66, UL94V-0

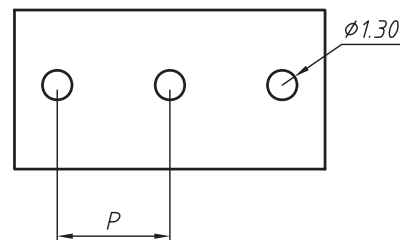
Mechanical:

Temp. Range: -33°C~+105°C
Torque: 3.5kgf.cm
Strip length: 5mm



P.C.B.LAYOUT

$P = 5.00\text{mm}$
 $\text{Length}(L) = P * \text{Pole}$



ORDER INFORMATION

Product NO.: KLS2-104-5.00-XXP X X X

Pos. NO. _____
Series No. _____
Pitch: 5.00=5.00mm _____
Number of Pole: 2~24 _____

Customer Request _____
Screw: C=Cross Screw S=Slot Screw _____
Color: 1=White 2=Black 3=Blue
4=Green 5=Gray 6=Orange
7=Yellow 8=Red 9=Brown