

TERMINAL BLOCK Connector

Screwless Series

KLS2-207-5.50 Series Pitch=5.50mm

Electrical :

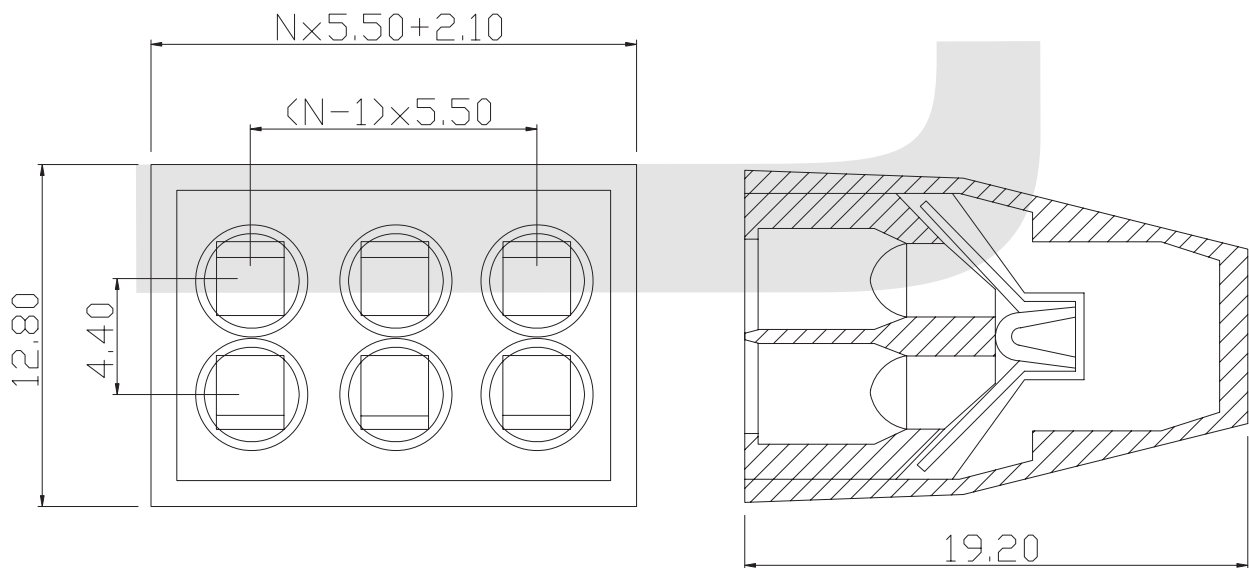
Rated voltage: 600V
 Rated current: 20A
 Contact resistance: 20mΩ
 Insulation resistance: 5000MΩ/1000V
 Withstanding Voltage: AC2000V/1Min
 Wire range: 18-12AWG 2.5MM²

Material

Housing: PA66, UL94V-0
 Pin header: Copper, Tin plated

Mechanical

Temp. Range: -40°C~+105°C
 Strip length: 6-7mm



ORDER INFORMATION

Product NO.: KLS2-207-5.50-XXP X X

Pos. NO. _____

Series No. _____

Pitch: 5.50=5.50mm _____

Number of Pole:(2PIN, 4PIN, 6PIN ,8PIN) _____

Customer Request _____

Color: 1=Gray
 4=Green
 7=Transparent

2=Blue
 5=Orange
 8=Yellow

3=Black
 6=Red
 9=White