

SHANDONG UT TRAILER PARTS CO.,LTD

TEL:0086-531-86616927
 WEBSITE:www.uniontrailerparts.com

FAX:0086-531-88065175
 EMAIL: arstonlee@126.com

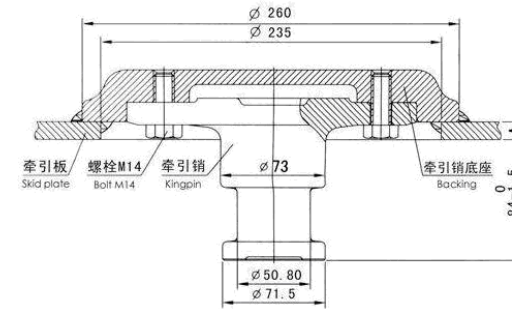
King Pin

Features

- ◇ Made according to International Standard
- ◇ 40Cr.27SiMn is smithies, produced by numerically controlled machine and quenching and tempering on the whole.
- ◇ Fixed with high strength bolt, 2" and 3.5" bolted in Kingpin can be exchanged.

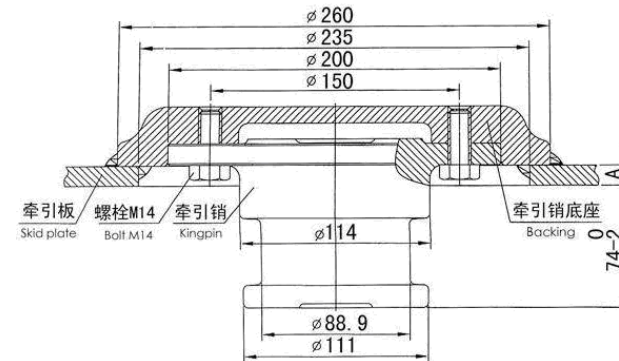
UT-BP50, 2" bolted in kingpin

Model	Size	Skid plate H
UT-BP5008	2"	8mm
UT-BP5010	2"	10mm
UT-BP5012	2"	12mm



UT-BP90, 3.5" bolted in kingpin

Model	Size	Skid plate H
UT-BP9010	3.5"	10mm
UT-BP9012	3.5"	12mm



SHANDONG UT TRAILER PARTS CO.,LTD

TEL:0086-531-86616927

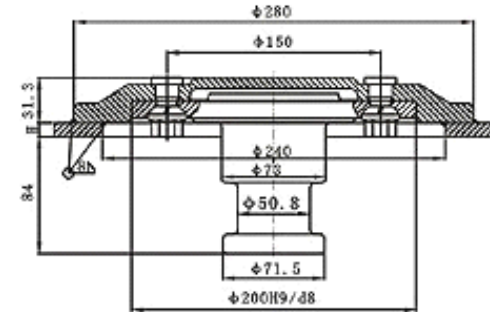
WEBSITE:www.uniontrailerparts.com

FAX:0086-531-88065175

EMAIL: arstonlee@126.com

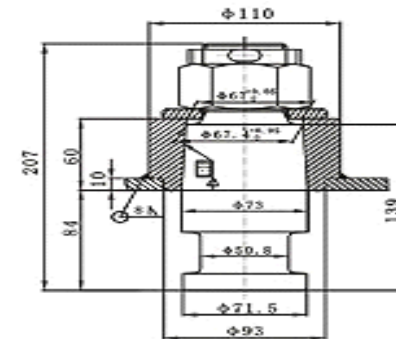
UT-BP50B, 2" blot in kingpin

Model	Size	Skid plate H
UT-BP5010B	2"	10mm
UT-BP5012B	2"	12mm



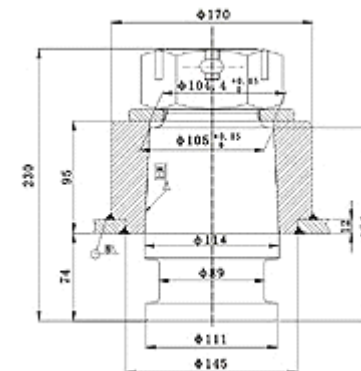
UT-XP50, 2" bolted in kingpin

Model	Size	Skid plate H
UT-XP5010	2"	10mm



UT-XP90, 3.5" bolted in kingpin

Model	Size	Skid plate H
UT-XP9012	3.5"	12mm



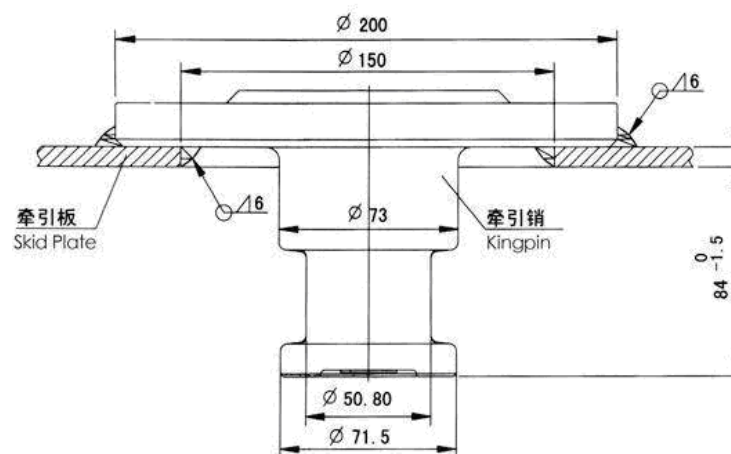
SHANDONG UT TRAILER PARTS CO.,LTD

TEL:0086-531-86616927
 WEBSITE:www.uniontrailerparts.com

FAX:0086-531-88065175
 EMAIL: arstonlee@126.com

UT-WP50, 2" welded kingpin

Model	Size	Skid plate H
UT-WP5008	2"	8mm
UT-WP5010	2"	10mm
UT-WP5012	2"	12mm



UT-WP90, 3.5" welded kingpin

Model	Size	Skid plate H
UT-WP9010	3.5"	10mm
UT-WP9012	3.5"	12mm

