

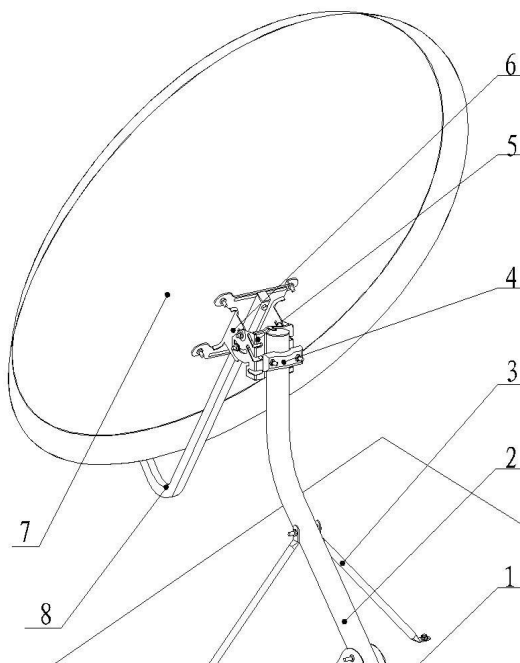
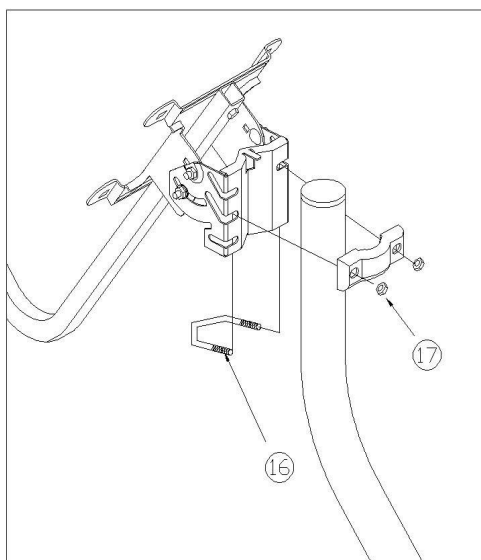
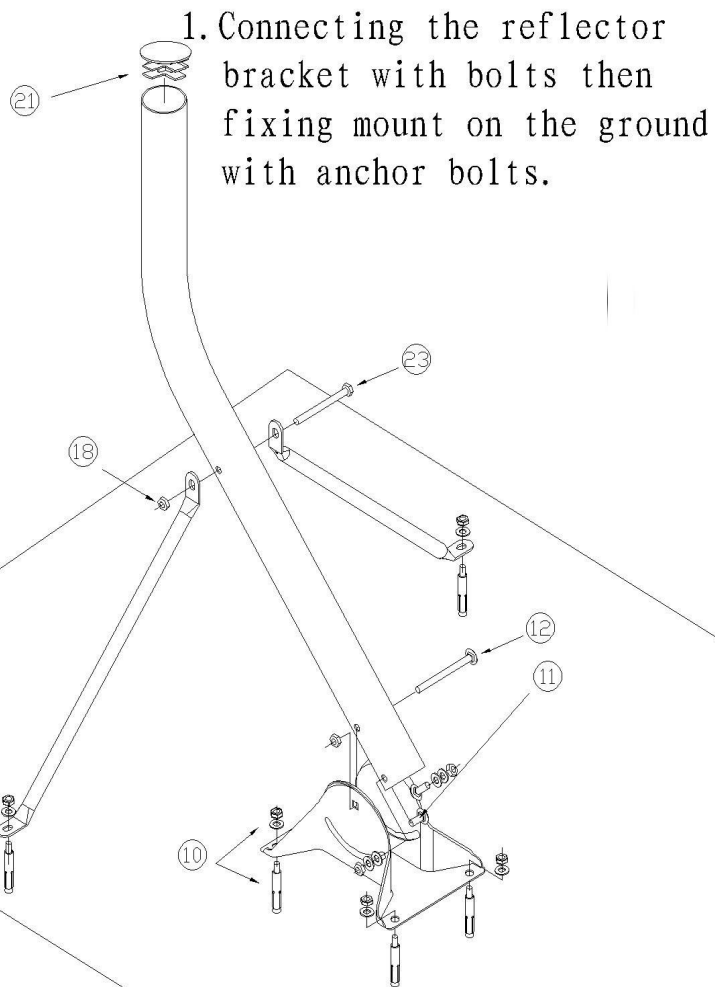
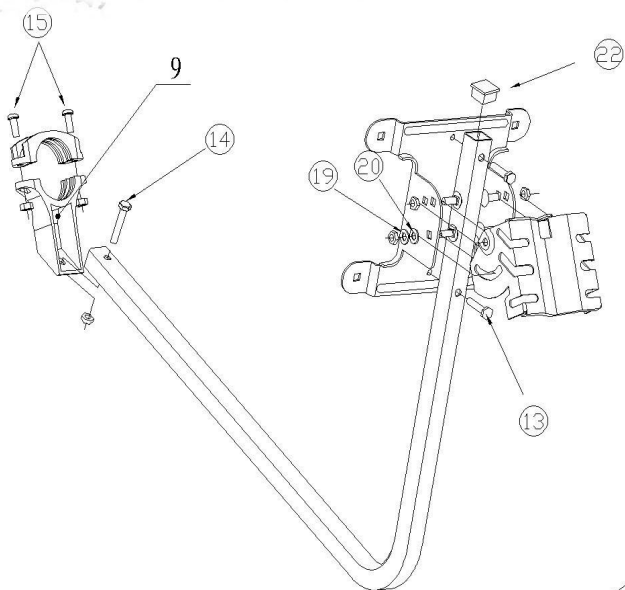


1. Connecting the reflector bracket with bolts then fixing mount on the ground with anchor bolts.

2. Connecting the Feed tube, LNB clamp and bracket together with bolts and fixed.

3. Connecting the J joining pole and reflect bracket together with V-Screw and C-Bracket.

4. Last step: fixing the reflector with bolts on the bracket



23	Hex screw	M6*65	1
22	Cover	19*19	1
21	Cover	Φ42	1
20	Plastic flat washer	6*13	4
19	Flat Washer	6*13	4
18	Nut	M6	15
17	Nut	M8	2
16	V-Screw	M8	1
15	Cross head screw	M6*20	2
14	Hex screw	M6*35	1
13	Cross head screw	M6*27	2
12	Carriage Bolts	M6*60	1
11	Carriage Bolts	M6*15	10
10	Anchor bolt	6*50	6
9	LNB clamp	—	1
8	Feed tube	—	1