

DS-95SST555 DC SPUR GEAR MOTOR

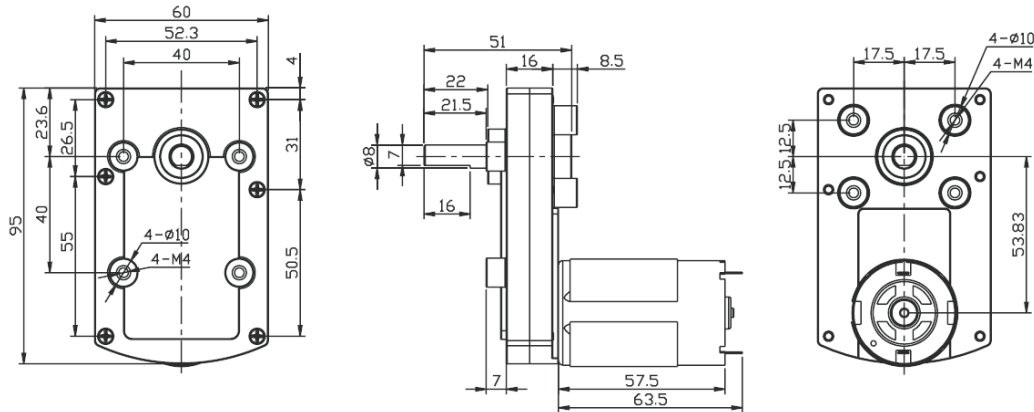
Main Voltage : 12VDC、24VDC

Typical Applications :

Instrument, Electric tools, Coffee machine,
Vending machine, Massager, Game machine,
Electric window opener, Automation equipment



APPEARANCE SIZE



Gearbox Data:

Number of stages	3	4	5
Reduction ratio	36、66、94	194、196、211、277、394	624、830、1166
Gearbox length "L"mm	16	16	16
Breaking torque(kgf.cm)	15	60	120
Gearbox efficiency	73%	65%	59%

Driving Motor Data:

Motor model	Rated Volt.	No load		Load				Stall	
		Current	Speed	Current	Speed	Torque	Output power	Torque	Current
		V	mA	r/min	mA	r/min	gf.cm	W	gf.cm
DS-555-012-3000	12	≤140	3000	≤800	2200	150	3.4	≥480	≥2400
DS-555-012-4500	12	≤220	4500	≤1200	3300	220	7.4	≥700	≥3840
DS-555-012-6000	12	≤350	6000	≤2000	4500	300	13.8	≥960	≥4800
DS-555-024-3000	24	≤70	3000	≤400	2200	150	3.4	≥480	≥1280
DS-555-024-4500	24	≤110	4500	≤600	3300	220	7.4	≥700	≥2400
DS-555-024-6000	24	≤180	6000	≤1000	4500	300	13.8	≥960	≥3200

Remark:

Gear Motor Torque=Driving motor torque*Reduction ratio*Gearbox efficiency;

Gear Motor Speed=Driving motor speed/Reduction ratio

Motor detailed config can be customized according to customer's requests,
like voltage,speed,as well as shaft length and shape...

Welcome OEM or ODM projects