

Automatic Flexo Folder Gluer

PLANET-260F

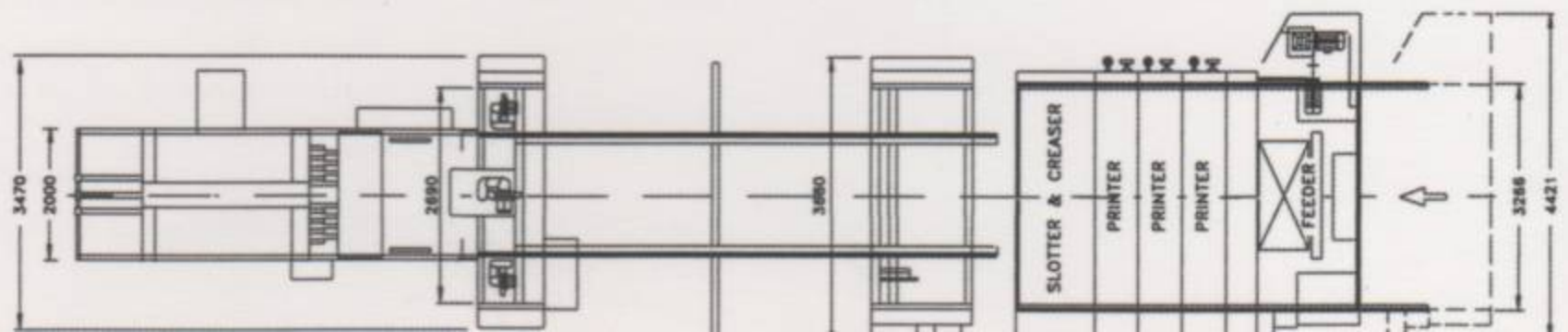
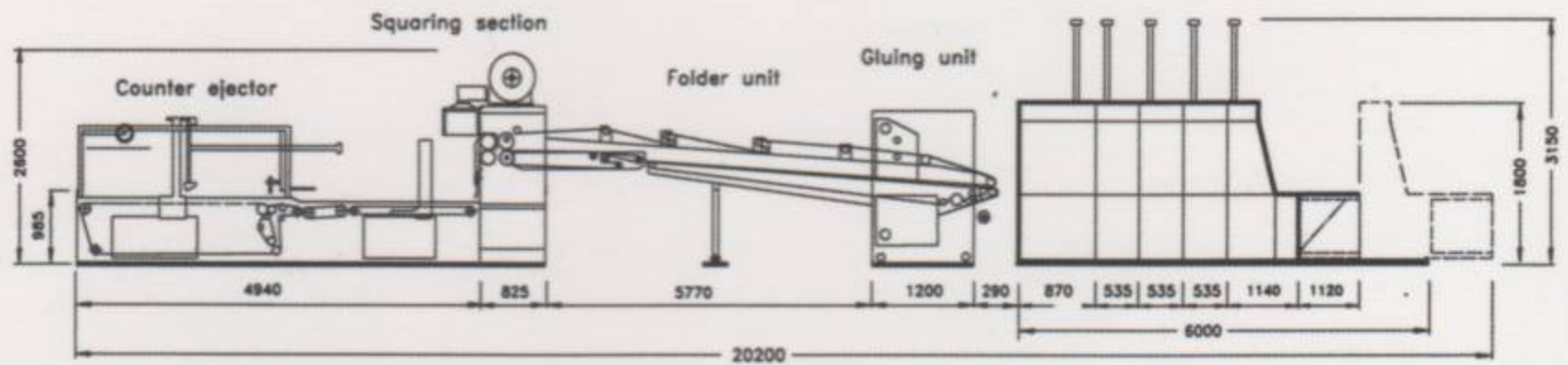


Automatic Flexo Folder Gluer

In the corrugated carton making process, it can't be completely done only with Printer & Slotter unit but without Folder Gluer, **PLANET-260F** Automatic Folder Gluer is based on the structure of **PLANET-260**, connecting Automatic Folder Gluer, with the function of printing, slotting, gluing and folding.

Model: PLANET-260F

Dimension in mm



PLANET-260F FEATURES :

- Automation with contribution to unity of performance.
- High efficiency suitable for mass production.
- Automatic PLC operation, optional LCD screen.
- Streamline style body of appearance and practicality.



- 1** >>> FEEDING UNIT
- Manual nip setting for front gauges with motorized shaft transverse adjustment.
 - Motorized adjustment for front & side gauge, backstop & pull rolls for easier operation.
 - Skip feed possible for large sheet.
 - Motorized kicker bar & backstop adjustment.



- 2** >>> FLEXO PRINTING UNIT
- Electronic running register with 360 micro adjustment can be adjusted during running and stop.
 - Laser engraved anilox roll are made of S45C material, with 200 screen (L.P.I)
 - Pneumatic ink pump with filter and ink circulation system.
 - Both print & pressure cylinders are made of sturdy material with specially chromed & hardened treatment.



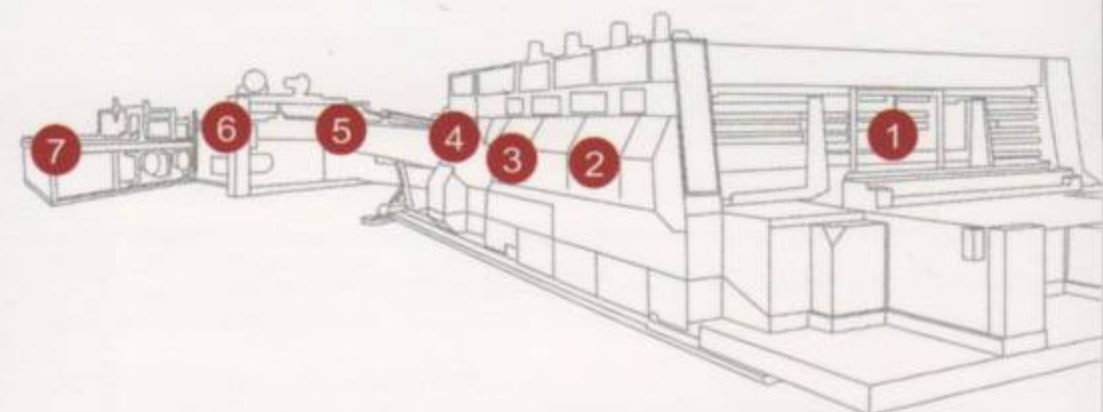
- 3** >>> SLOTTER & CREASER UNIT
- Auto rotational zero positioning of front knives and slotter-creaser links transversal can be moveable.
 - Back knives rotational position setting for box height adjustment.
 - 5 sets of slotting knives, to fix the middle knives can still move the else knives.

- 4** >>> GLUING UNIT
- Motorized adjustment in gluing unit equipped with large diametrical gluing wheel and spin system.

- 5** >>> FOLDING UNIT
- Motorized transverse adjustment in the gluing rail.
 - Up/down conveyor belt (W 100mm) with strain control and stable deliver.

- 6** >>> SQUARING UNIT
- Manual micro-adjustment for squaring block.
 - Assist lamination effet with strong wind pressure.
 - With vibration device for squaring.

- 7** >>> COUNTER EJECTOR
- Pneumatic kicker counter system with sensor.
 - Ejector with two sections deliver, the first deliver section equipped with pre-counting device.



Technical specifications:

Planet-260F

Machine speed	150 sheets / min.
Max. sheet size	1130 × 2590 mm
Max. sheet size (with skip feed)	1500 × 2590 mm
Min. sheet size	320 × 670 mm
Max. printing area	1170 × 2400 mm
Max. square box	615 × 615 mm
Min. square box	160 × 160 mm
Flexo plate thickness	7 mm
Dimension (L × W × H)	19754 × 4950 × 3200 mm
Total weight	35100 kg.
Total power required	66.5 kw for 3 Color

Standard equipment:

- Auto feeder.
- Printing unit (for 1st-Color).
- Printing unit (for 2nd-Color).
- Printing unit (for 3rd-Color).
- Slotter & creaser.
- Gluing & Folder Unit
- Squaring Unit
- Counter Ejector

Optional equipment:

- Lead edge feeder.
- Ceramic anilox ink roll.
- Gluing spray device.
- Printing unit (for 4th-Color).