



Converting
Tymi Group

www.tymimachinery.com



- Manufacturing :
 - UV Coating Machine
 - OPP-Laminating
 - Calendaring Machine
 - Flute-Laminating
 - Semi-auto Folder Gluer
 - Laminator & Casemaker
 - Flexo Printer Slotter
- OEM. & Represent related machine
 - Automatic Folder Gluer
 - Auto Die Cutting Machine
 - Folding Machine
 - Silk Screen Machine

VENUS-126

Automatic Varnishing Machine

1 STREAM FEEDER

- Feeder suction head with maintenance free rotary valve requires no lubricant or oil.
- The feeder can be adjusted while running.
- Double sheet detector.
- Variable speed for adjustment to different kinds of sheet.
- Braking system for motor drive to minimize paper wastage.

2 COATING UNIT

- Consist of rubber coating roller, chromed metering & counter pressure roller.
- Equipped with independent control dial reading for each roller to ensure easy adjustment.
- Chain driven mechanism to prolong rollers service life.

3 I.R. DRYING UNIT

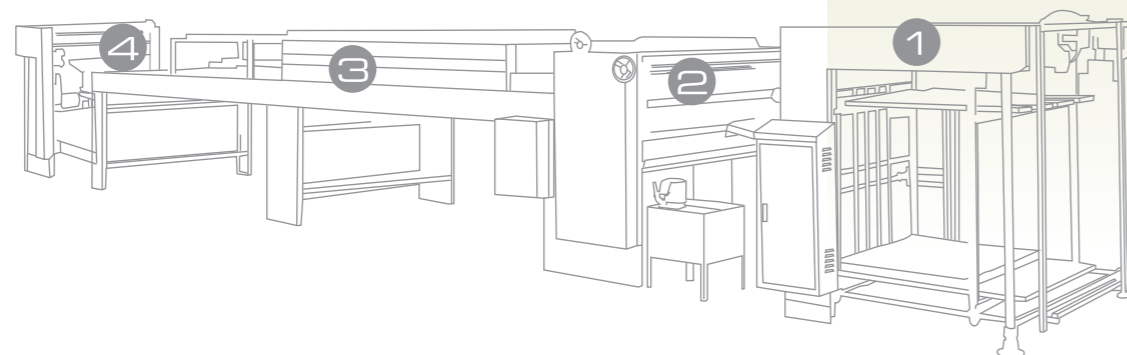
- Mid-wave I.R. drying device for effective drying with lower power consumption.
- Heat-resistant conveyor belts for easy adjustment & maintenance.
- Equipped with cooling fans.
- Venus-126W / water-base model is equipped with additional hot air device.

4 DELIVERY UNIT

- Pneumatic sheet jogging device knocking up both sides of sheet and photo-electric cell controlled.
- Equipped with sheet counter.
- Automatic pile raising and lowering.
- High speed sheet guiding system ensure jogging effect, also adjustable and

VENUS -126 FEATURES :

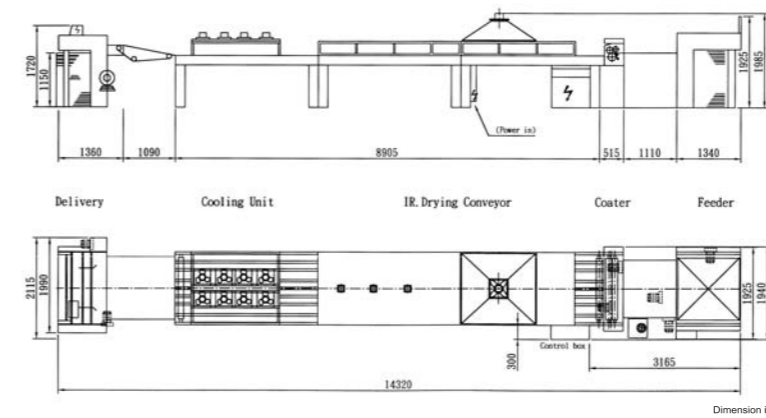
Varnishing and calendaring has long been the most common and economical method to apply on printed cardboard to achieve a glossy and smooth paper surface. VENUS series varnishing machine is designed as a multi-purpose coater capable of processing conventional varnishing, blister coating, calendaring coating and with VENUS-W model specially designed for water-base coating to cope with growing environmental concerns. It can reach production speed up to 80m/min to make ordinary varnishing jobs efficient and profitable.



Floor Plan

Model: VENUS-126W

(for water base coating)



Technical specifications	Venus-126W
Max. sheet size	1200 X 1200 mm
Min. sheet size	310 X 406 mm
Max. working width	1200 mm
Conveyor speed	25 ~ 80 m/min.
Material required	Water-base varnish
Total power required	64 kw
Dimension (L×W×H)	14320 X 1990 X 1985
Total weights	5090 kg

Standard equipment:

- Stream feeder
- Coating unit
- I.R. drying unit
- Hot Air drying device
- Delivery unit

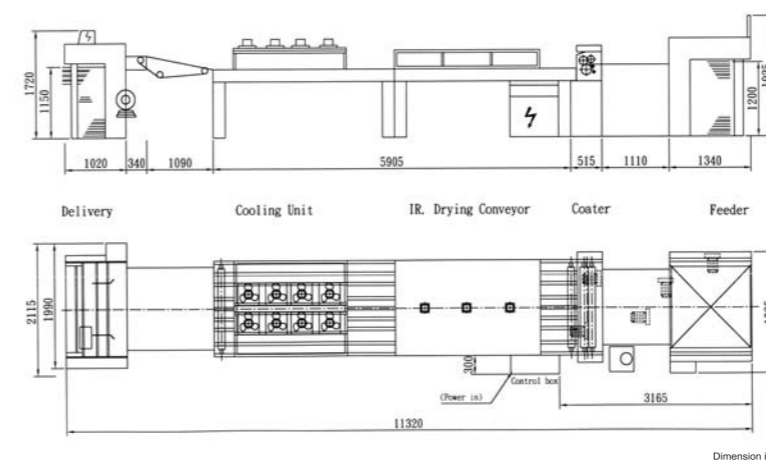
Optional equipment:

- Nonstop feeding device
- Pre-loading device

Floor Plan

Model: VENUS-126

(for solvent-base coating)



Technical specifications:	Venus-126
Max. sheet size	1200 X 1200 mm
Min. sheet size	310 X 406 mm
Max. working width	1200 mm
Conveyor speed	25 ~ 80 m/min.
Material required	Solvent varnish
Total power required	25.2 kw
Dimension (L×W×H)	11320 X 2115 X 1925mm
Total weights	4700 kg

Standard equipment:

- Stream feeder
- Coating unit
- I.R. drying unit
- Delivery unit

Optional equipment:

- Nonstop feeding device
- Pre-loading device