



Color ring inductors

PZAL0204 Series

Coding Guidelines:

PZAL0204 - 221K -T

1 2 3 4 5

- 1.Product Code
- 2.Core Dimensions
- 3.Inductance Code
- 4.Tolerance Code
- 5.Packing:T:Tape.

Inductance Range:0.1μH~1000μH.
 Temp. rise:20°C max,Ambient temp. :60°C max.
 Operating temp. :-20°C~+80°C.
 Terminal tensile strength:1.0kg min.
 Terminal bending strength:0.3kg min.
 Dielectric withstanding voltage:250Vrms.
 Rated current:base on temp rise.

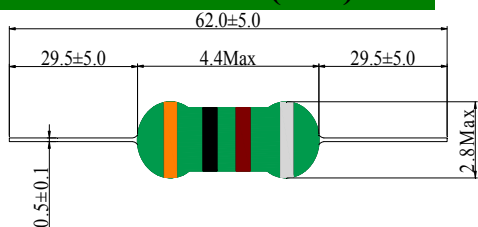
Features:

Design to be compact, small and light-weight.
 Wide range of inductance.
 Contribute to be high Q and self-resonant frequencies.
 Tapping type that is convenient for automatic insertion.
 Coating epoxy resin that ensure the humidity resistance to be long life.
 Low Cost.

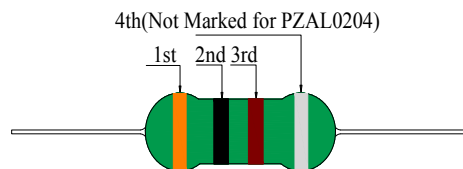
Applications:

Electronics products.
 Communications equipments.
 Computer Devices.
 TV, VCR.
 Battery charger.

Dimensions:(mm)



Color ring marking:



Color & Meaning:

COLOR	Nominal Inductance(uH)			
	First Figure	Second Figure	Magnification/*	Tolerance
BLACK(Bk)	0		1	20%
BROWN(Bn)	1		10	-
RED(R)	2		100	-
ORANGE(O)	3		1000	-
YELLOW(Y)	4		-	-
GREEN(Gn)	5		-	-
BLUE(Bu)	6		-	-
VIOLET(V)	7		-	-
GRAY(Gy)	8		-	-
WHITE(W)	9		-	-
GOLD(Gd)	-		-	5%
SILVER(S)	-		-	10%



Color ring inductors

PZAL0204 Series

Specifications list: —

Part No.	Inductance (μH)	Test frequency (MHz)	Q (min)	S.R.F. (MHz)min	D. C. Resistance (Ω)max	IDC (mA)max	Color Code		
							1st	2nd	3rd
PZAL0204-R10M	0.1	25.2	50	250	0.03	700	Bn	Bk	S
PZAL0204-R12M	0.12	25.2	55	230	0.035	600	Bn	R	S
PZAL0204-R15M	0.15	25.2	55	200	0.04	620	Bn	Gn	S
PZAL0204-R18M	0.18	25.2	55	180	0.045	600	Bn	Gy	S
PZAL0204-R22M	0.22	25.2	55	160	0.05	400	R	R	S
PZAL0204-R27M	0.27	25.2	50	150	0.065	380	R	V	S
PZAL0204-R33M	0.33	25.2	50	150	0.075	370	O	O	S
PZAL0204-R39M	0.39	25.2	50	150	0.08	350	O	W	S
PZAL0204-R47M	0.47	25.2	60	150	0.085	330	Y	V	S
PZAL0204-R56M	0.56	25.2	60	150	0.09	320	Gn	Bu	S
PZAL0204-R68M	0.68	25.2	50	120	0.1	310	Bu	Gy	S
PZAL0204-R82M	0.82	25.2	50	110	0.15	290	Gy	R	S
PZAL0204-1R0K	1	25.2	50	110	0.22	270	Bn	Bk	Gd
PZAL0204-1R2K	1.2	7.96	40	100	0.3	260	Bn	R	Gd
PZAL0204-1R5K	1.5	7.96	40	80	0.35	250	Bn	Gn	Gd
PZAL0204-1R8K	1.8	7.96	40	65	0.45	240	Bn	Gy	Gd
PZAL0204-2R2K	2.2	7.96	40	55	0.55	230	R	R	Gd
PZAL0204-2R7K	2.7	7.96	40	50	0.6	220	R	V	Gd
PZAL0204-3R3K	3.3	7.96	40	42	0.65	210	O	O	Gd
PZAL0204-3R9K	3.9	7.96	45	38	0.85	200	O	W	Gd
PZAL0204-4R7K	4.7	7.96	45	34	1	190	Y	V	Gd
PZAL0204-5R6K	5.6	7.96	45	32	1.15	180	Gn	Bu	Gd
PZAL0204-6R8K	6.8	7.96	40	30	1.2	175	Bu	Gy	Gd
PZAL0204-8R2K	8.2	7.96	40	26	1.25	165	Gy	R	Gd
PZAL0204-100K	10	7.96	40	24	1.5	160	Bn	Bk	Bk
PZAL0204-120K	12	2.52	40	22	2.2	150	Bn	R	Bk
PZAL0204-150K	15	2.52	50	20	2.5	145	Bn	Gn	Bk
PZAL0204-180K	18	2.52	50	18	2.8	140	Bn	Gy	Bk
PZAL0204-220K	22	2.52	50	17	3	130	R	R	Bk
PZAL0204-270K	27	2.52	55	14	3.5	80	R	V	Bk
PZAL0204-330K	33	2.52	55	14	3.8	76	O	O	Bk
PZAL0204-390K	39	2.52	50	13	4.2	74	O	W	Bk
PZAL0204-470K	47	2.52	50	12	5.8	70	Y	V	Bk
PZAL0204-560K	56	2.52	50	11	6.4	68	Gn	Bu	Bk
PZAL0204-680K	68	2.52	50	10	7.2	64	Bu	Gy	Bk
PZAL0204-820K	82	2.52	50	9.5	8.5	46	Gy	R	Bk
PZAL0204-101K	100	0.796	50	9	11	44	Bn	Bk	Bk
PZAL0204-121K	120	0.796	40	6.5	13	42	Bn	R	Bn
PZAL0204-151K	150	0.796	40	6	16	39	Bn	Gn	Bn
PZAL0204-181K	180	0.796	40	5.2	18	37	Bn	Gy	Bn



Color ring inductors

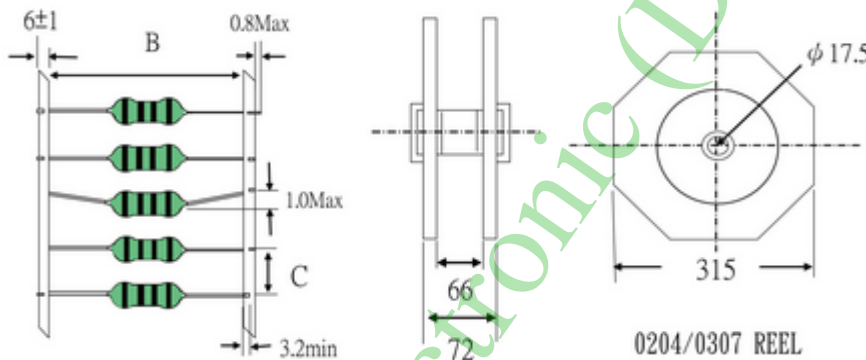
PZAL0204 Series

Specifications list: 二

Part No.	Inductance (μH)	Test frequency (MHz)	Q (min)	S.R.F. (MHz)min	D. C. Resistance (Ω)max	IDC (mA)max	Color Code		
							1st	2nd	3rd
PZAL0204-221K	220	0.796	40	4.5	20	35	R	R	Bn
PZAL0204-271K	270	0.796	30	3.5	29	28	R	V	Bn
PZAL0204-331K	330	0.796	30	3	30	26	O	O	Bn
PZAL0204-391K	390	0.796	30	2.7	32	25	O	W	Bn
PZAL0204-471K	470	0.796	30	2.6	35	24	Y	V	Bn
PZAL0204-561K	560	0.796	30	2.5	40	23	Gn	Bu	Bn
PZAL0204-681K	680	0.796	30	2.2	42	22	Bu	Gy	Bn
PZAL0204-821K	820	0.796	30	2.1	46	21	Gy	R	Bn
PZAL0204-102K	1000	0.796	30	2	52	20	Bn	Bk	R

Packaging:

Reel Dimensions:



Dimensions	PZAL0204 Data
B	52±1.0
C	5.0±0.5

Reel/Quantity: (Ref)

Packaging	Quantity:
Quantity/Reel	5,000PCS
Quantity/Carton	25,000PCS
GW/CTN(Approx.)	9.0Kg
Carton Size(mm)	330*330*460

Remarks:

If special specifications, please contact us to confirm!