

## 100W Led High Bay Light R Series

### LP-HBL-100-R

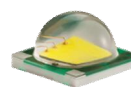
- Total power 110 watts, Input voltage AC90-305V, Output lm: 10,400 Lm
- Five years warranty

### I .Applications

- Suitable for Warehouses, Production and logistics workshops, Retail stores, Theme restaurants, Amusement parks, Indoor stadiums and public places, and other industrial and commercial lighting purposes.

### II .Descriptions

- Copper and aluminum composite radiator.
- Nano coating technology for radiator. The shell color keep unchanged at 300°C condition for 24 hours.
- Black or Silver white shell color for choose.
- Beam angle 45/90/120deg for option.
- 120-130lm/W high power light source of Cree XPG2.
- With Meanwell waterproof constant current power supply.
- PF ≥ 0.95, Power supply efficiency: 93%
- Waterproof class: IP40 or IP65
- 10sec 3000V high voltage test
- Aging 48 hours before shipment .
- Satisfaction guarantee, over 10 years at 16 hours per day.
- Energy savings, no UV and IR radiations, emits low heat.
- Certifications: CE, ROHS, UL, TUV (Power supply only).



### III. Specification

#### 100W LED high bay light R series Main Parameters

Input Voltage	90-305 VAC, 50/60 Hz	ILLUMINANCE Design	LED+Lamp shade
LED Light Source	Cree XPG2 chips	LED Junction Temperature	≤70°C (@ Ta=25°C)
LED Qty	33 pcs	Working Temperature	-20°C ~ 45°C
LED Power	100W	Storage Temperature	-30°C ~ +65°C (best 25°C)
Total System Power	110W	IP Rating	IP40 or IP65
LED Luminous Efficiency	120-130 lm/W	Net weight	5.0 Kg
LED Initial Luminous Flux	10,400 Lm	Life-span	>50000H
Color Temperature	3000K-7000K	Power Cord	0.75mm <sup>2</sup> triple shield wire
Color Rendering Index	≥75 Ra	Connecting Wire	Brown L live
Light Distribution	symmetric /circle spread		Blue N Neutral
Beam Angle	45deg/90deg/120deg		Yellow/Green G Earth

Remark: The light parameters may different between different color temperature, tolerances ≤ 8%.

#### Contact us:

Email: [sales@luminpeak.com](mailto:sales@luminpeak.com)  
 URL: [www.luminpeak.com](http://www.luminpeak.com)

Tel: +86-755-23235216  
 Fax: +86-755-23235216-808

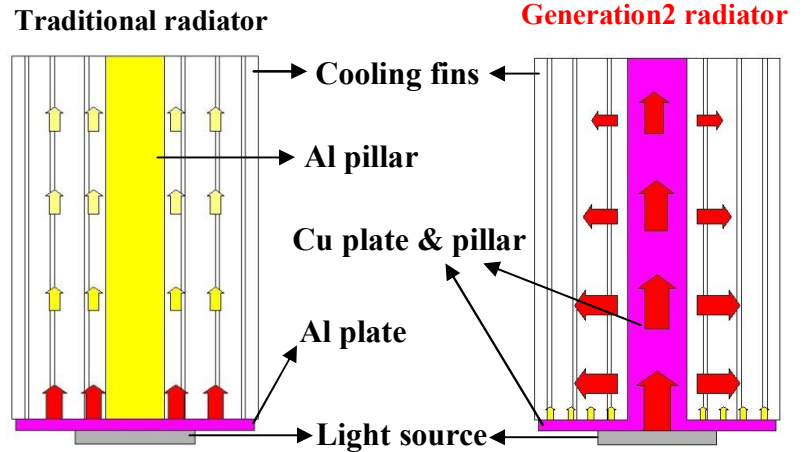
Add: 7/F, A10 Building, Tianrui Industrial park, Fuyong Town, Shenzhen City, China

## IV. Cooling Principle & Structure

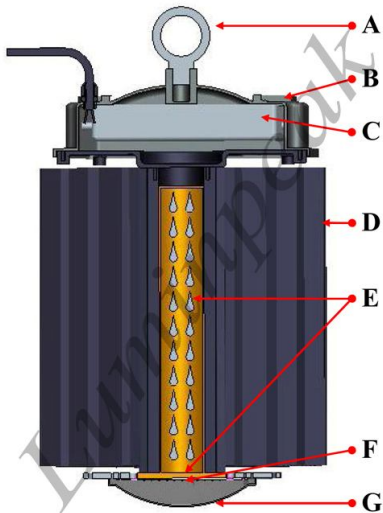
### A. Character & Principle

- The Generation 2 radiators use the copper and aluminum composite phase change heat dissipation technology.
- It reduces the heat transfer process of bay lamps radiator. And make the heat into air easily.
- It reduces thermal resistance of led bay lamps radiator.
- It Increases the contact area of bay lights parts, making 70%-80% heat of led source into air straight way, which guarantee the temperate difference between led source junction and working environment less than 40 °C .

### The comparison of cooling principle



### B. 3D structure



### Description of accessories

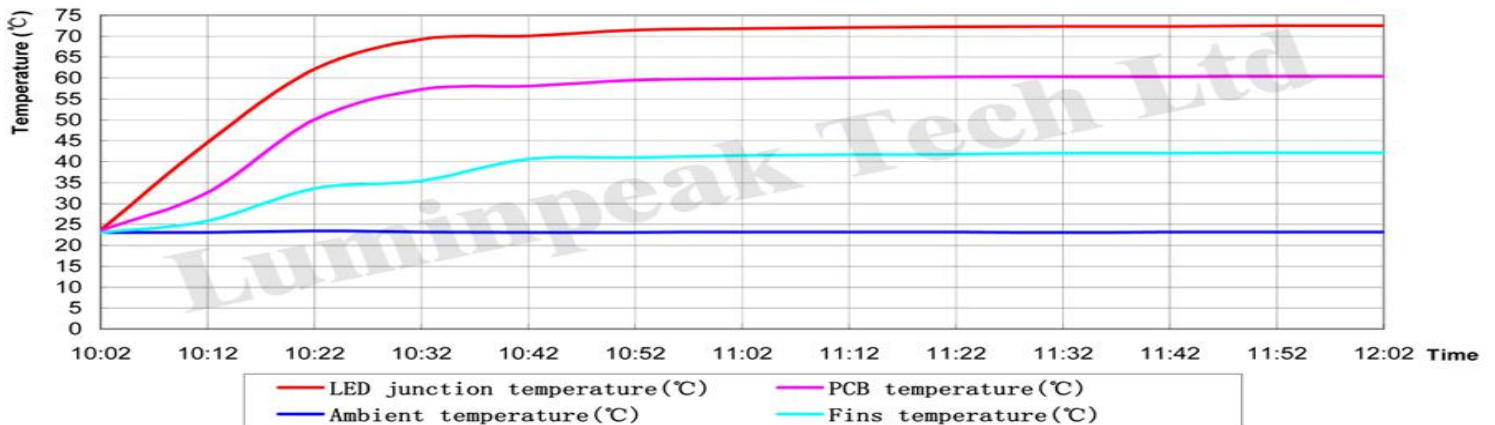
- A. The stationary rings.
- B. IP65 led power supply box.
- C. Meanwell constant current power supply, IP65.
- D. Heatsinks (6063 aluminium material).
- E. Copper cylinder (With phase change heat dissipation technology).
- F. Cree XPG-2 led source and high thermal conductivity aluminum PCB.
- G. Fire retardant PC lampshade.

### The Cooling Principle of Second Generation Bay lights

1. Copper and aluminum composite phase change heat dissipation technology.
2. Use the copper cylinder to reduce the thermal resistance.
3. Use the tubular heatsink to produce multiple internal natural air convection.

## V. Temperature testing

### Temperature testing of 100w Led Bay lights R series



### Contact us:

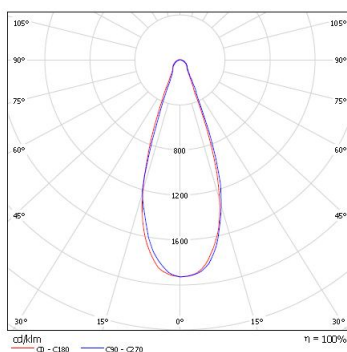
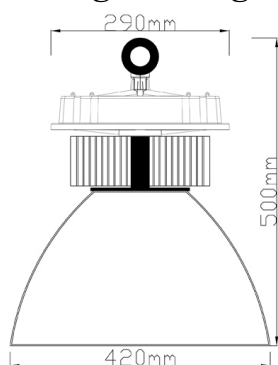
Email: [sales@luminpeak.com](mailto:sales@luminpeak.com)  
 URL: [www.luminpeak.com](http://www.luminpeak.com)

Tel: +86-755-23235216  
 Fax: +86-755-23235216-808

Add: 7/F, A10 Building, Tianrui Industrial park, Fuyong Town, Shenzhen City, China

## VI. Product Dimension & Photometric Distribution

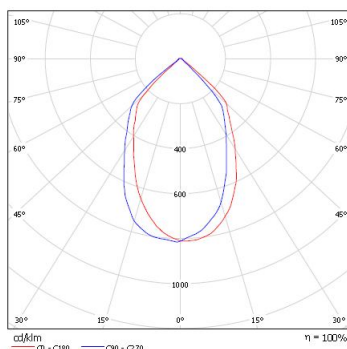
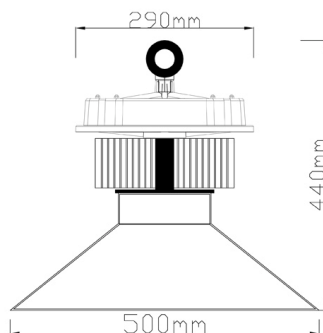
### 1. Beam angle 45 degree



M	LUX	ΦCM
4	2048	331
6	911	497
8	512	663
10	328	828

BEAM ANGLE=45 DEG

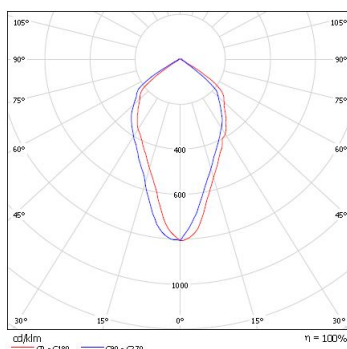
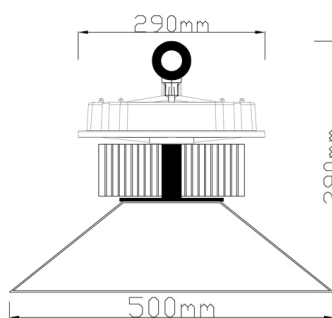
### 2. Beam angle 90 degree



M	LUX	ΦCM
4	527	800
6	234	1200
8	132	1600
10	84	2000

BEAM ANGLE=90 DEG

### 3. Beam angle 120 degree



M	LUX	ΦCM
4	234	1386
6	104	2078
8	59	2771
10	37	3464

BEAM ANGLE=120 DEG

## VII. Weight and package

Lamp body packing information			
Lamp body N.W.	5.0 kg	Lamp body packing size	28*28*29cm
Lamp body G.W.	6.0 kg	QTY/Carton	1pcs/Carton
Reflector packing information			
45° Reflector N.W.	0.8kg/pcs	90° /120° Reflector N.W.	0.9kg/pcs
45° Reflector G.W.	17.0kg (20pcs)	90° /120° Reflector G.W.	28.0kg (30pcs)
45° Reflector packing size	47*47*48cm	90° /120° Reflector packing	52*52*48cm
QTY/Carton	20pcs/Carton	QTY/Carton	30pcs/Carton

### Contact us:

Email: [sales@luminpeak.com](mailto:sales@luminpeak.com)  
 URL: [www.luminpeak.com](http://www.luminpeak.com)

Tel: +86-755-23235216  
 Fax: +86-755-23235216-808

Add: 7/F, A10 Building, Tianrui Industrial park, Fuyong Town, Shenzhen City, China