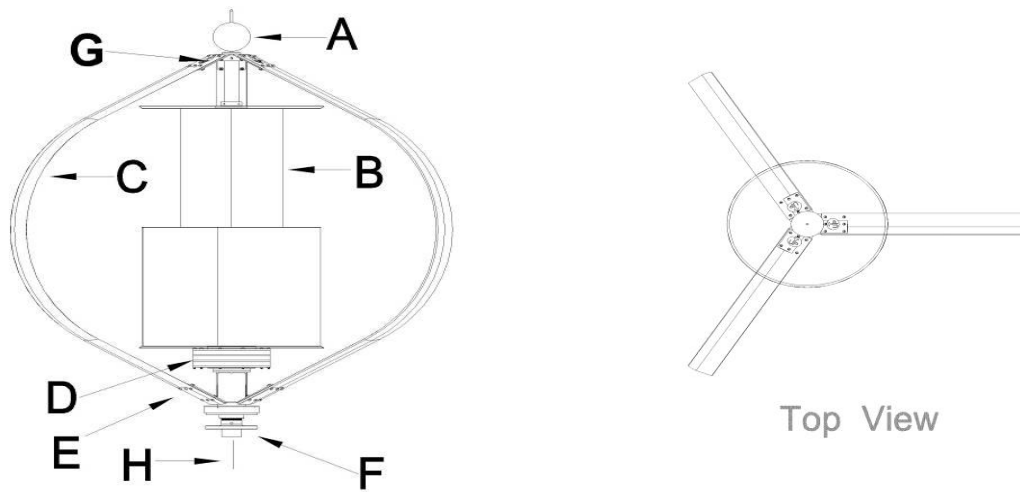


600W VERTICAL AXIS WINDTURBINE WKV-600



Add:15FL.Wangcheng Bldg,No248,Changjiang West Road, Hefei,China
Email:info@windwingcn.com Web:www.windwingcn.com
Tel: 86-551-65386632 Fax:86-551-62353665



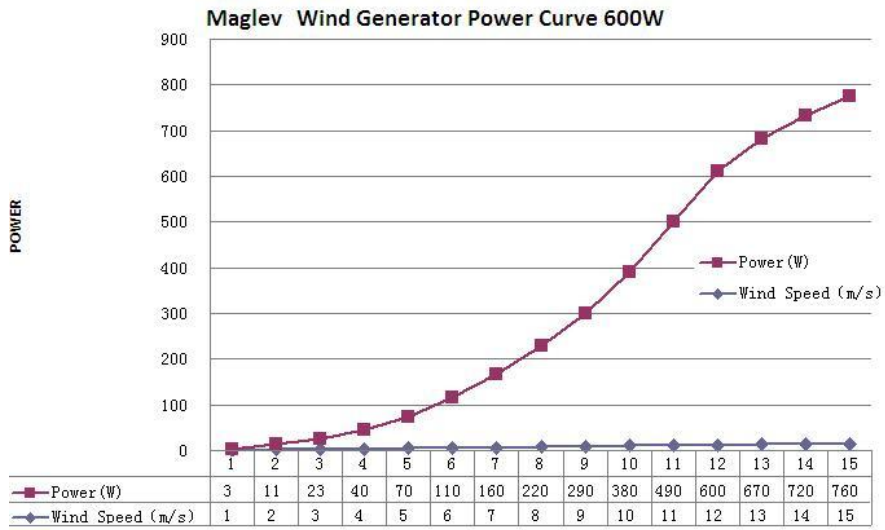
| Parts | Description |
|-------|--|
| A | Lightening Arrester |
| B | S-Type Savonius |
| C | 3-Darrieus Blade with Built-in Airfoil |
| D | 3-Phase, Direct-Drive, Weather-Sealed, Mechanically Integrated Permanent Magnet Generator. |
| E | Lower Darrieus Blades Connector |
| F | Damper |
| G | Upper Darrieus Blades Connector |
| H | 3-Phase,Generator Wires |

Add:15FL.Wangcheng Bldg,No248,Changjiang West Road, Hefei,China
 Email:info@windwingcn.com Web:www.windwingcn.com
 Tel: 86-551-65386632 Fax:86-551-62353665

| General Information | |
|----------------------|--|
| Rotor Diameter: | 1.5 m |
| Height: | 1.32 m |
| Weight: | 50Kgs |
| Blades: | |
| Number of Blades: | 3 |
| Blade Material: | Anodized Aluminum Alloy |
| Operate Mode | |
| Start-up Wind Speed: | 1m/s |
| Cut-in Wind Speed: | 2.5m/s |
| Cut-out Wind Speed: | 15m/s |
| Survival Wind Speed: | 65m/s |
| Output Voltage: | 24V/48VDC |
| Safety Mechanism | |
| Over Speed Braking: | Yes. (Setup by Power Controller) |
| Manual Brake: | 3-phase short-circuit Switch |
| Generator | |
| Type: | AC, Direct Drive, Weather Sealed, 3 Phase Synchronism PMG. |
| Rated Output: | 600W @ 12m/s |
| Mounting | |
| Foundation Mounting: | Min. Height above ground: 3M |
| Roof Mounting: | Min. Height above Roof: 3M |
| Bedplate Mounting: | Used where deep excavation cannot be applied |
| Warranty | |
| Limited Warranty: | Three years on components |

Add:15FL.Wangcheng Bldg,No248,Changjiang West Road, Hefei,China
Email:info@windwingcn.com Web:www.windwingcn.com
Tel: 86-551-65386632 Fax:86-551-62353665

Power Curve



Packing Information

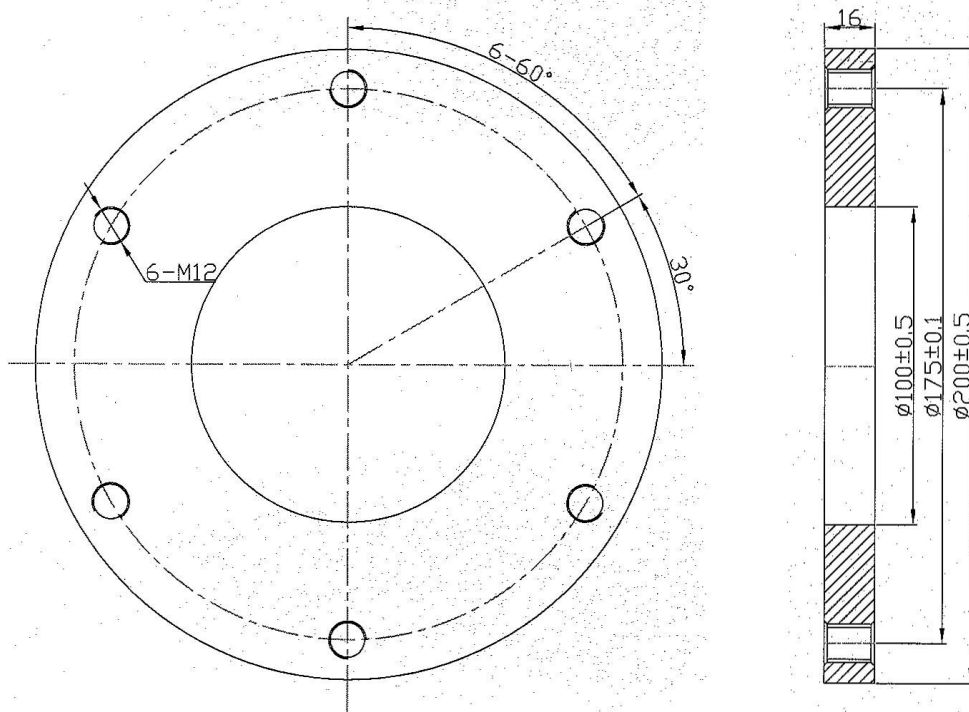
Dimension(L*W*H) : 1540*450*420mm 1440*950*130mm

Gross Weight: 88KG



Add: 15FL.Wangcheng Bldg, No248, Changjiang West Road, Hefei, China
Email: info@windwingcn.com Web: www.windwingcn.com
Tel: 86-551-65386632 Fax: 86-551-62353665

Flange Drawing:



Add: 15FL.Wangcheng Bldg, No248, Changjiang West Road, Hefei, China
Email: info@windwingcn.com Web: www.windwingcn.com
Tel: 86-551-65386632 Fax: 86-551-62353665