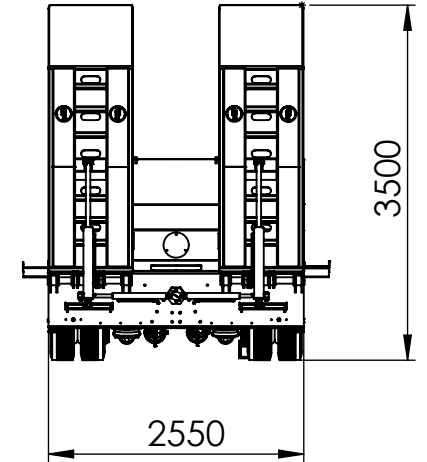
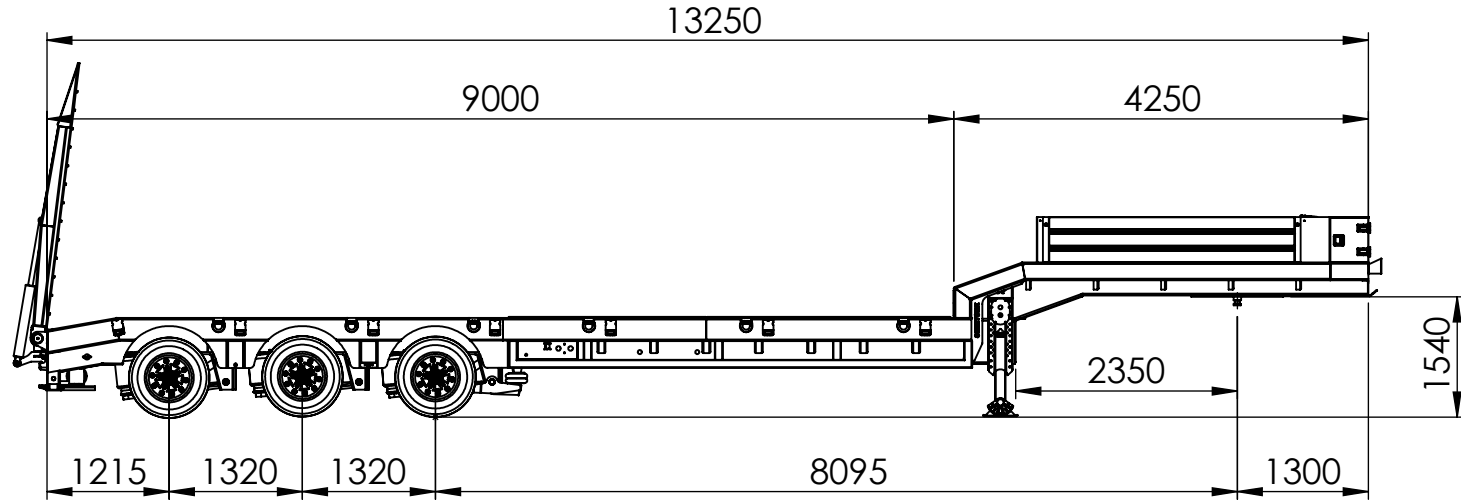
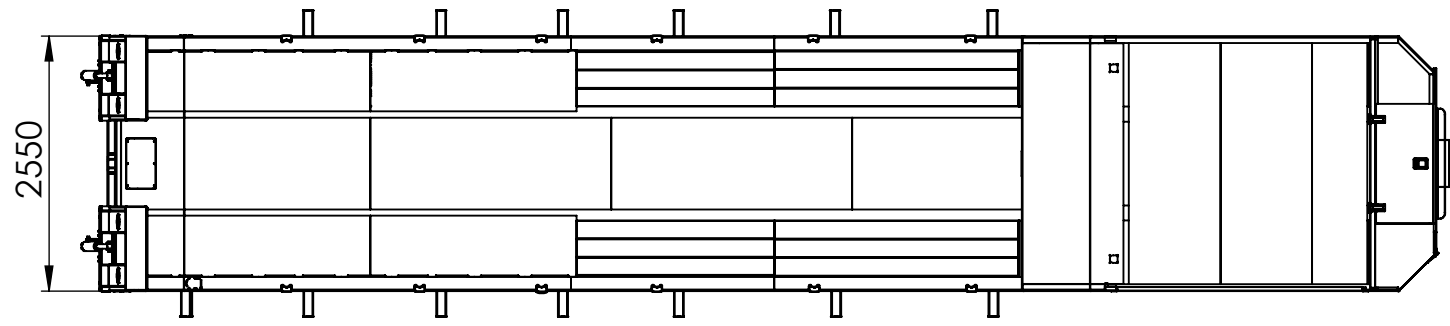


A



A



D

FREE TOLERATIONS (mm) TS DIN7168					CORNER RADIUS		<b>A4</b>	VERSION NO:
Dimensions	120-400	400-1000	1000-2000	2000-4000	INT	EXT		VERSION DATE:
Draft Tolerations	4	4	4	4	Materials :	WEIGHT:	SEMI PROD. NO:	
PRODUCT CODE	STLB30AD01				Technic :	S.F.YÜKSEL	ASSEMBLY NO:	
					Control:	A.ADIYAMAN	PREV DRAWING NO:	
					Approve :	O.ADIYAMAN	WITH THE DRAWING	
ASSEMBLY NAME:					3 AXLES LOWBED SEMI-TRAILER		REPLACES THE DRAWING	
							PART NO:	
This drawing is a property of BÜYÜK YÜKSEL DAMPER LTD. ŞTİ. and forbidden to use or copy without written permission.							DRAWING NO:	
							PRG. NO :	
							SHEET OF	