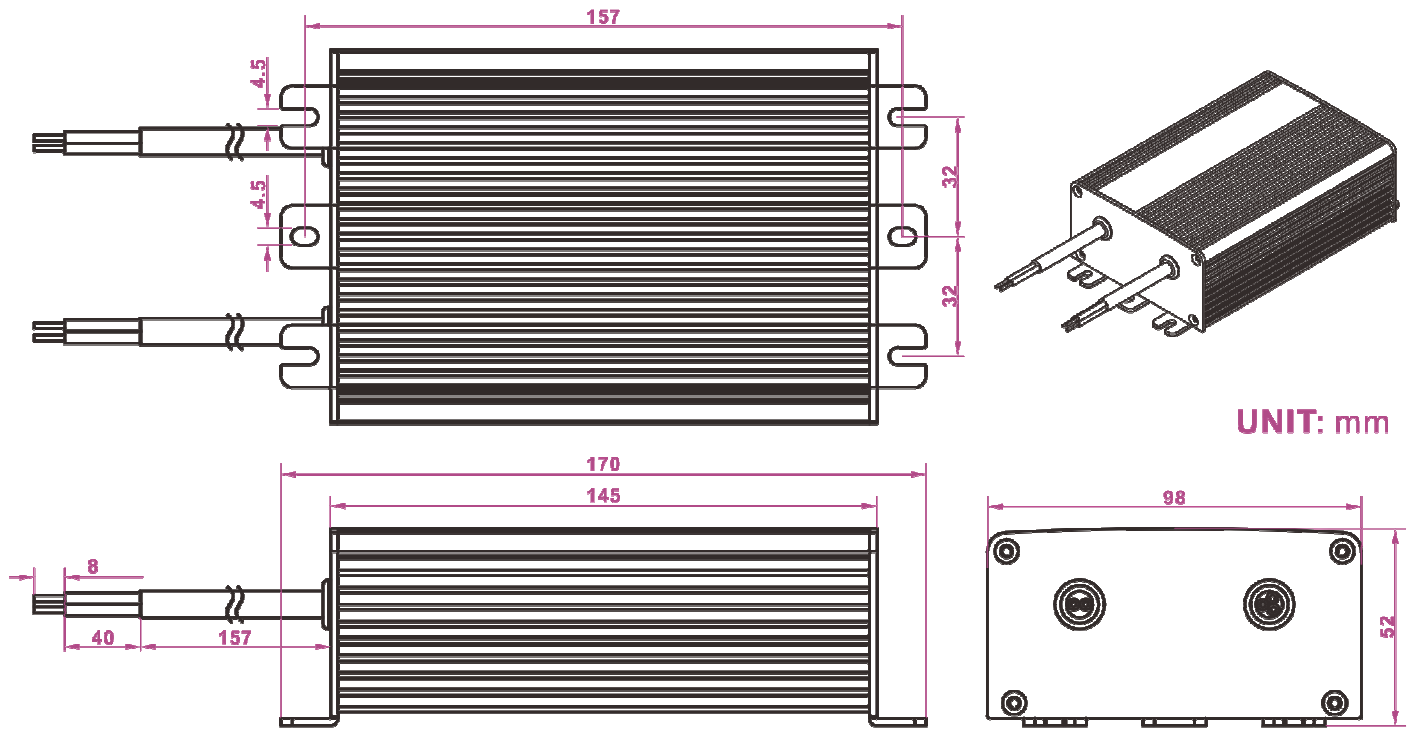
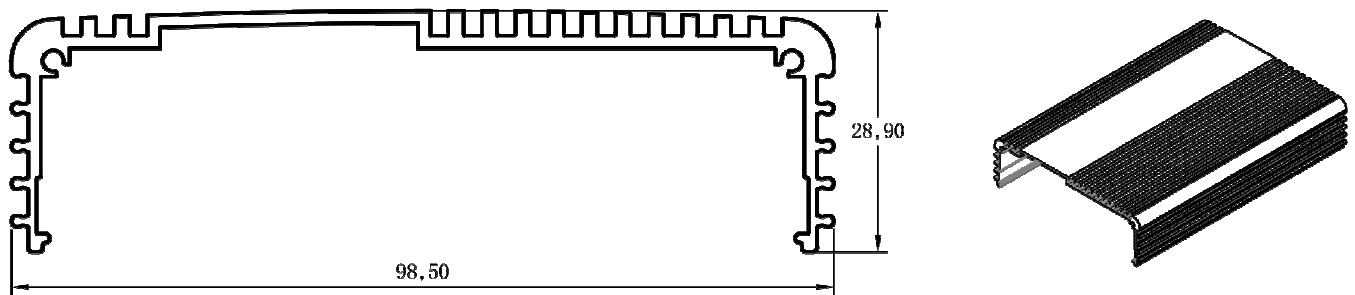


# HPS150W

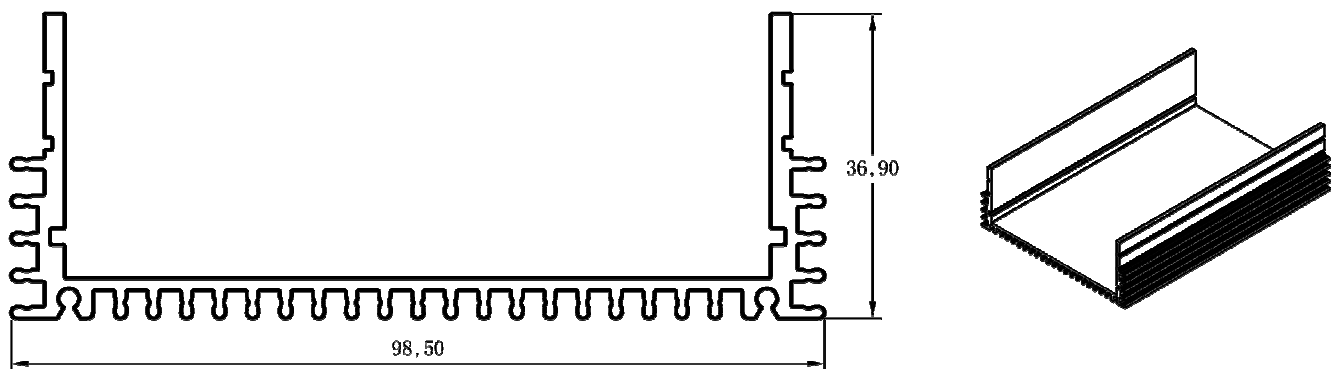
Housing (whole product)



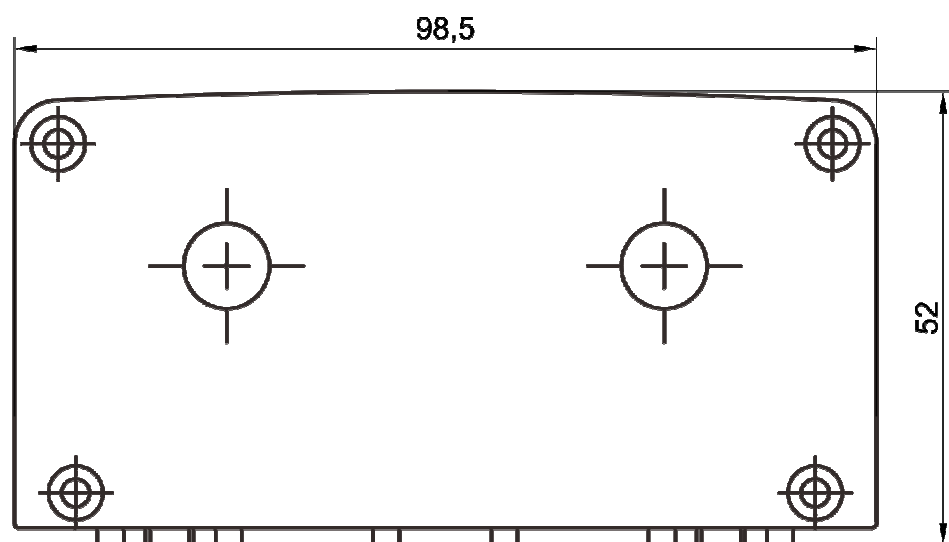
Housing (parts and components—cover)



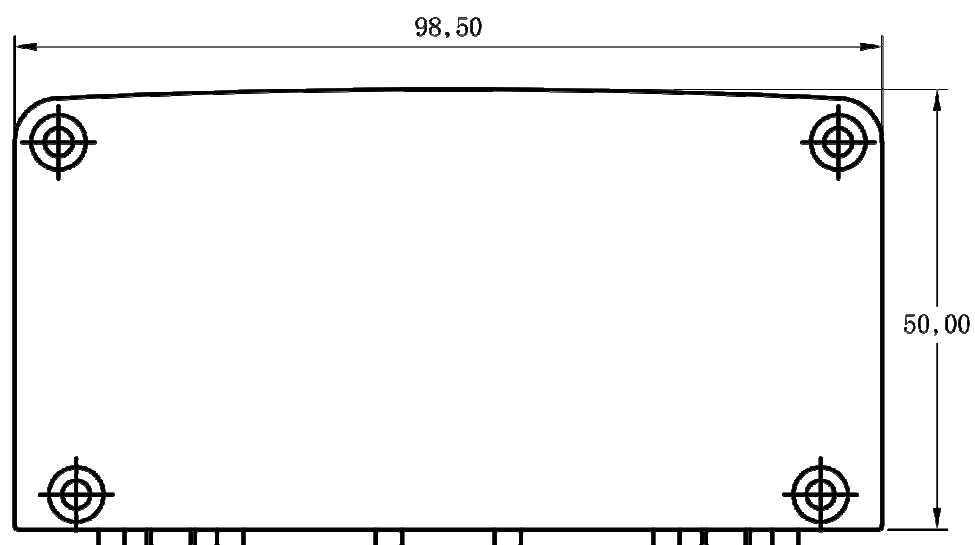
Housing (parts and components—bottom)



Housing (edge cover-left)



Housing (edge cover—right)



UL CERTIFICATED

**FLCR.E347254**  
**High-intensity-discharge Lamp Ballasts**[Page Bottom](#)**High-intensity-discharge Lamp Ballasts**[See General Information for High-intensity-discharge Lamp Ballasts](#)**EVERBRIGHT ELECTRONICS (NINGBO) CO LTD**  
270 XINGUANG RD  
HI-TECH PARK  
NINGBO, ZHEJIANG 315000 CHINA

E347254

**Electronic HID Ballasts, Type 1 Outdoor**, Cat. Nos. PWT39W-EB010-FL, PWT50W-EB010-FL, PWT70W-EB010-FL, PWT70W-EB020-FL, PWT100W-EB010-FL, PWT150W-EB010-FL.[Last Updated](#) on 2011-09-2[Questions?](#)[Print this page](#)[Terms of Use](#)[Page Top](#)

©2012 UL LLC

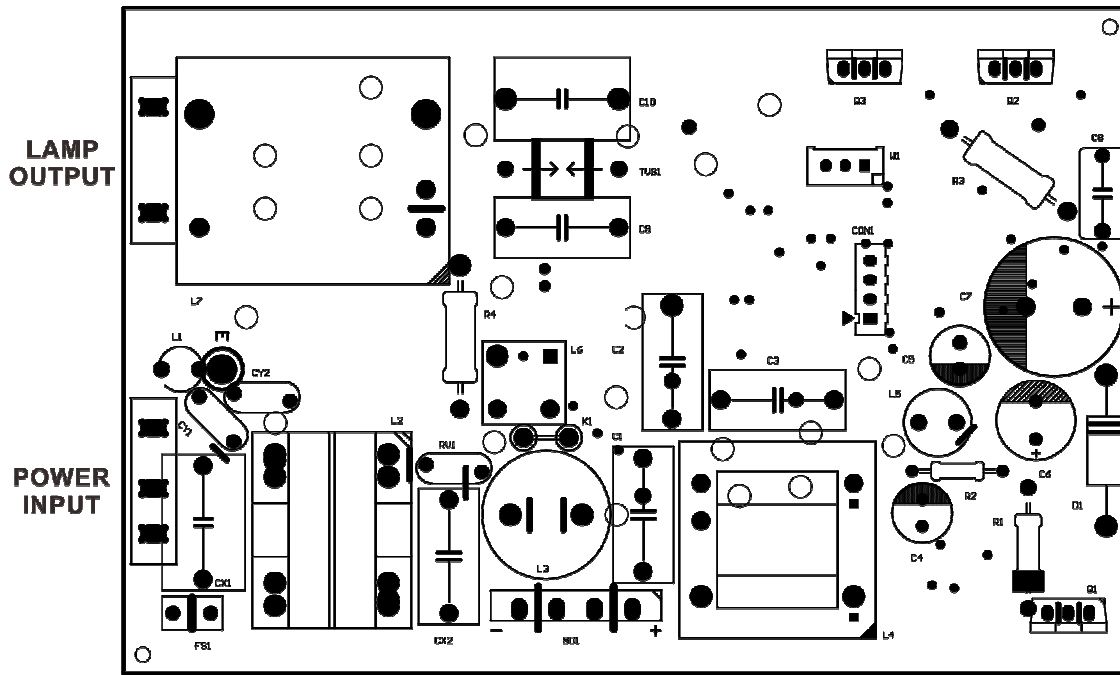
When the UL Leaf Mark is on the product, or when the word "Environment" is included in the UL Mark, please search the [UL Environment database](#) for additional information regarding this product's certification.

The appearance of a company's name or product in this database does not in itself assure that products so identified have been manufactured under UL's Follow-Up Service. Only those products bearing the UL Mark should be considered to be Listed and covered under UL's Follow-Up Service. Always look for the Mark on the product.

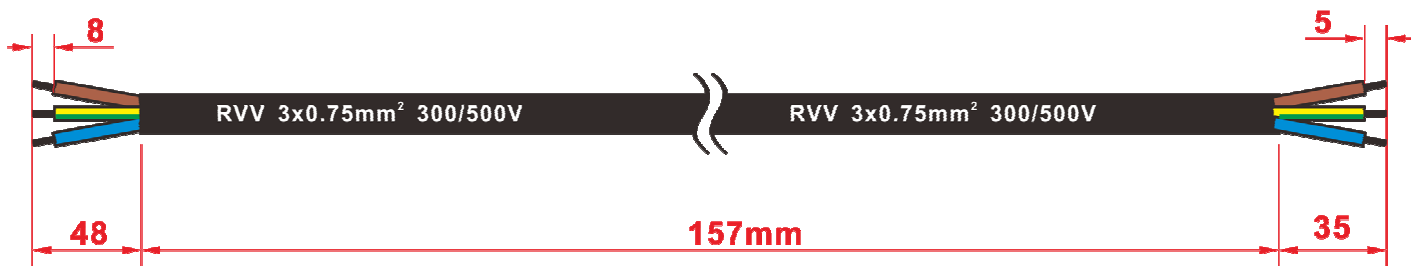
UL permits the reproduction of the material contained in the Online Certification Directory subject to the following conditions: 1. The Guide Information, Designs and/or Listings (files) must be presented in their entirety and in a non-misleading manner, without any manipulation of the data (or drawings). 2. The statement "Reprinted from the Online Certifications Directory with permission from UL" must appear adjacent to the extracted material. In addition, the reprinted material must include a copyright notice in the following format: "© 2012 UL LLC".

(PCBA)

# HPS150W PCBA SIZE:133×88×1.6mm



Wire (input wire)



Wire (output wire)

