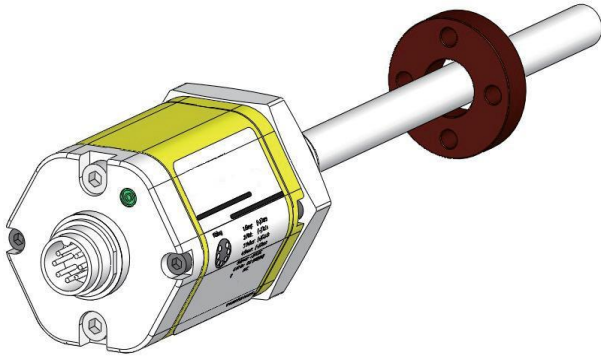


RH Series: Analog output: 4~20mA DC, 0~20mA, 0~10VDC, -10V~+10V

Feature

- Sturdy, reliable, oil proof and stain resistance.
- Absolute location output, no need to return to zero.
- Non-contact measurement, no physical deterioration forever.
- High resolution, analog output 16 binary digit D/A, infinite resolution.
- Nonlinearity degree, $<\pm 0.01\%$ F.S.
- Repeatability precision, $> \pm 0.001\%$ F.S.
- LED for sensor diagnostics
- Modular design, convenience to replace.

Specification

| Item Name | Index Number |
|---------------------------------|--|
| Parameter Measured | |
| Measurement range | 25-7600mm |
| Output signal | 0~20mA DC / 4~20mA DC (min./max. load: 0/500 Ohm) 0~10VDC / -10~+10VDC (min. load > 5k Ohm) |
| Resolution | Analog output 16 binary digit D/A |
| Nonlinearity degree | $<\pm 0.01\%$ F.S. (min. $\pm 50\mu\text{m}$) |
| Repeatability precision | $<\pm 0.001\%$ F.S. (min. $\pm 1\mu\text{m}$) |
| Refresh time | 0.5ms (F.S. < 1m) |
| | 1.0ms (1m < F.S. < 2m) |
| | 2.0ms (2m < F.S. < 4m) |
| | 4.0ms (4m < F.S. < 7.6m) |
| Structure & Material | |
| Head | Aluminium alloy |
| External tube for protection | Stainless steel 304L |
| Flange fixed | Stainless steel 304L |

| Item Name | Index Number |
|--------------------------------|--|
| Electric feature | |
| Outgoing line | Water-proof connector, or 6 lamp pith aircraft connector |
| Input voltage | 24VDC (-15/+20%) |
| Working current | < 50mA (changing depend on F.S.) |
| Polarity protection | max. -30VDC |
| Overvoltage protection | max 36VDC |
| Insulating ability | 500V (between the signal GND and the housing) |
| Fault indication | Red & green LED pilot lamp. |
| Working condition | |
| Magnetic speed | Random |
| Ambient temperature | $-40^{\circ}\text{C} \sim +85^{\circ}\text{C}$ |
| Humidity/Dew point | Humidity 90%, No dew |
| Temperature coefficient | < 30ppm/ $^{\circ}\text{C}$ |
| Grade of electrical protection | IP67 |
| Anti-pressure ability | 35MPa (Continuously) / 70MPa (Peak value) |



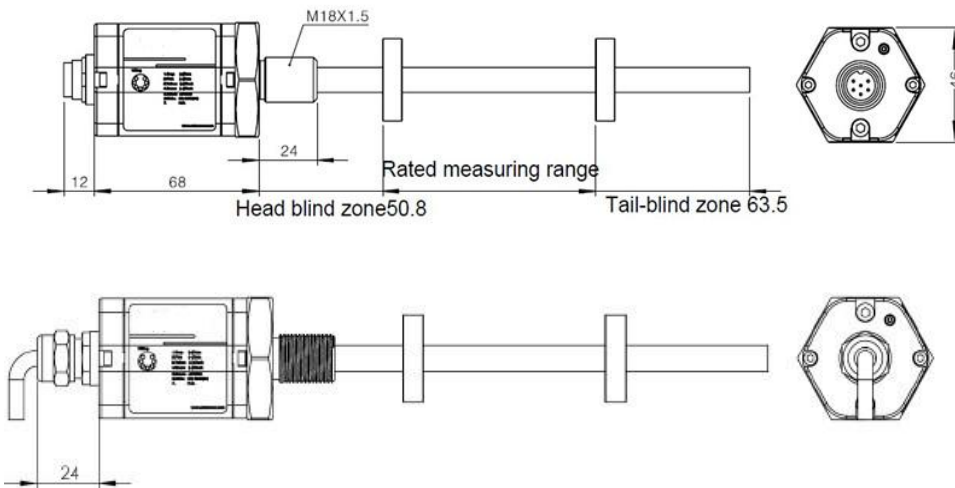
Magnetostrictive linear position sensor

| Installation & Accessories | |
|----------------------------|---|
| Direction | Random |
| Mode | Screw thread M18*1.5 |
| Moving Magnetic | Magnetic rings OD33, Magnetic rings OD25.4, Magnetic rings OD17.4 |
| Mode display | |
| | Pilot lamp & Definition |
| | Green-- Normal working |
| | Green beating--Program status |
| | Red beating--Magnet out of the effective measuring range |
| | Red--No magnetic ring or the magnetic ring was damaged |

| Electric connection | | |
|---|---------------------|-----------------|
| | Needle# | Color |
| | 1 | Gray, (+)Output |
| | 2 | Pink, (-)Output |
| | 3 | Yellow, Prog. |
| | 4 | Green, Com. |
| | 5 | Brown, +24Vdc |
| 6 | White, DC GND(0Vdc) | |
| Pin needle arrangement (Face to the sensor direction) | | |

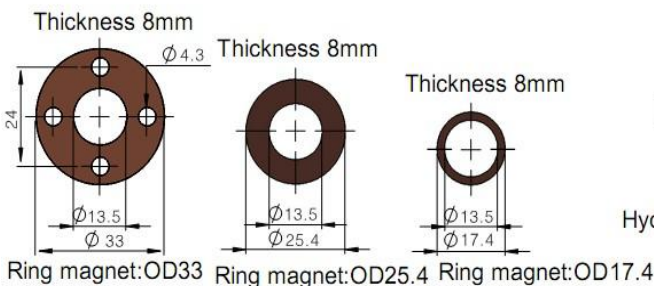
External dimension

Aircraft connector
Water-proof connector

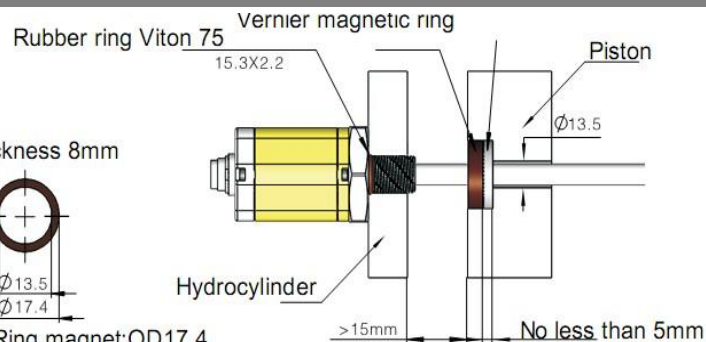


Notes: The anti-pressure measuring rod can be a permanent part of the hydrocylinder and also can be separated with the electron head easily (Two pieces of M4*59 Screws), realized replacement quickly under the circumstances that no need to leak pressure.

Accessory for choice



Installation Guide

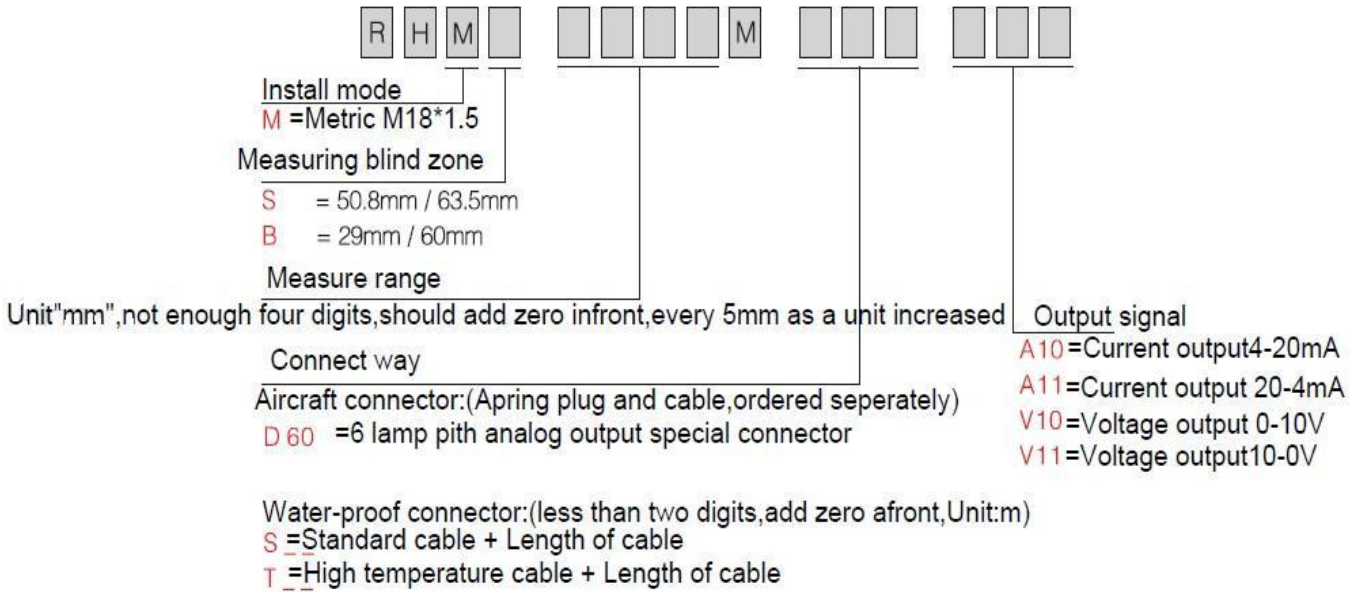


ADD: NO.2 Shenma Road, Maqun Science Park, Nanjing, Jiangsu Province, China.

TEL: (0086) 025-85300032, FAX: (0086) 025-85329493

E-mail: angela.zou@govagroup.com (M.T. 18951021368); senniehs@govagroup.com (M.T. 18752007602)

Ordering guide



ADD: NO.2 Shenma Road, Maqun Science Park, Nanjing, Jiangsu Province, China.

TEL: (0086) 025-85300032, FAX: (0086) 025-85329493

E-mail: angela.zou@govagroup.com(M.T. 18951021368); senniehs@govagroup.com(M.T.18752007602)