

MBC-2 Ship-use Pressure Transmitter**Features**

- LED indicator/0~100% linear indicator optional;
 - Short protection and reverse polarity protection;
 - Reliable performance, easy application;
 - Intrinsic safe version, conforming to Standard Exia IICT6 of GB3836.4
 - Exd product conforms to Standard GB3836.2, and Exd certificate is approved.
- Exd sign is Exd IICT6;
- Ship-use product conforming to CCS Rules of Classification of sea-going steel ships;
 - Stainless steel structure, anti-impact, anti-vibration

**Introduction**

MBC-2 ship-use pressure transmitter adopts piezoresistive pressure sensor as its core part. It is the crystallization of diffused silicon precision machining, temperature compensation and analog signal processing technology. Advanced main craft materials, good seal, which can entirely meet the requirement of moistureproof, waterproof, explosion-proof, dust-proof and other harsh environment.

Widely used for measure and control of petroleum, chemi-industry, electric power, hydrology and flow pressure measure, etc.

Specification

Pressure Type	Gauge pressure, Absolute pressure, Sealed gauge								
Measuring Medium	Liquid ,gas, vapor ,which are compatible with SUS304								
Pressure range(MPa)	-0.1	1	1.6	6	10	20	40	60	or customized
Pressure range (bar)	-1	10	16	60	100	200	400	600	or customized
Pressure range (psi)	-14.5	300	700	900	2k	4k	8k	or customized	
Overload range	200%FS								
Power Supply	24VDC (supply by safety barrier)								
Output signal	(0~5)V,			(1~5)V,			(4~20)mA		
Transmitting	2-wires,			3-wires,			3-wires,		
Load	$\leq(U-15)/0.02\Omega$,			> 100k,			> 100k		
Vibration	10~500Hz 25g								
Shock resistance	50g 11ms								
Accuracy	$\pm 0.5\%FS(\text{typ.}) @25^{\circ}C$								
Zero temp.drift	$\pm 0.03\%FS/^{\circ}C$								
FS temp.drift	$\pm 0.03\%FS/^{\circ}C$								
Long-term stability	$\pm 0.2\%FS/Y$								

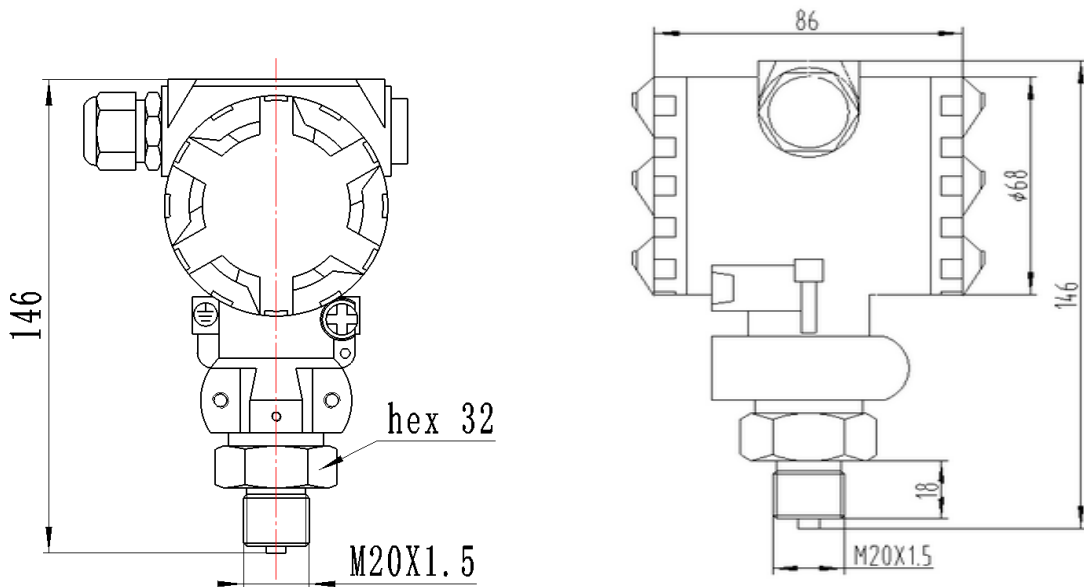
ADD: NO.2 Shenma Road, Maqun Science Park, Nanjing, Jiangsu Province, China.

TEL: (0086) 025-85300032, FAX: (0086) 025-85329493

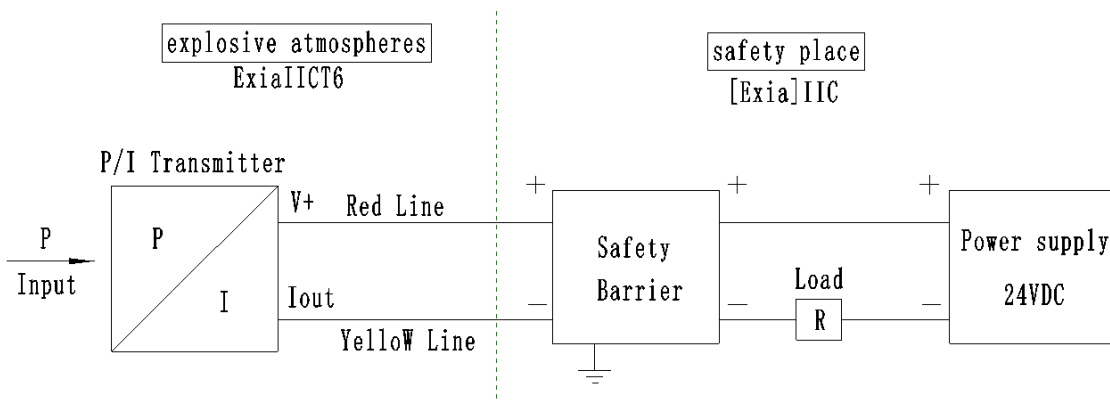
E-mail: angela.zou@govagroup.com(M.T. 18951021368); senniehs@govagroup.com(M.T.18752007602)

Insulation resistance	250 MΩ/250V, 100MΩ/250V
Medium temp.	(-40~125)°C
Ambient temp.	(-40~85)°C
Storage temp.	(-40~125)°C
Compensated temp.	(-10 ~ 80)°C
Housing	SUS304
Diaphragm	SS316L
O-ring	Viton
Protection	IP65

Outline Construction: (Unit :mm)



Electrical Connection

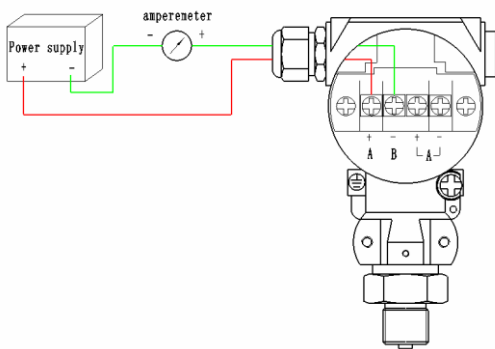


ADD: NO.2 Shenma Road, Maqun Science Park, Nanjing, Jiangsu Province, China.

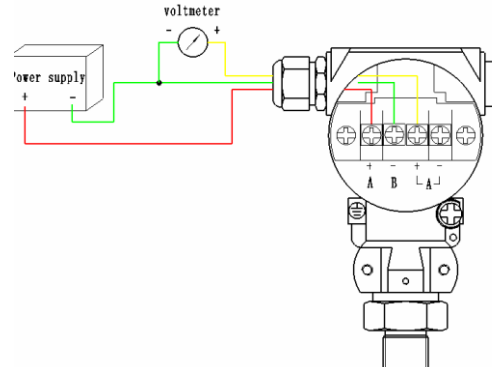
TEL: (0086) 025-85300032, FAX: (0086) 025-85329493

E-mail: angela.zou@govagroup.com(M.T. 18951021368); senniehs@govagroup.com(M.T.18752007602)

2-wires、4~20mA output:



3-wires、0~5V or 1~5V output:



Order Guide

MBC-2	Ship-use pressure transmitter									
	-0.1~60MPa	Measuring range (Unit:Mpa,kpa,psi,bar...)								
		Code	Pressure Type							
		G	Gauge pressure							
		A	Absolute pressure							
		S	Sealed gauge pressure							
		Code	Power supply(Others, pls specify)							
		V	24VDC							
		Code	Output signal(Others, pls specify)							
		S1	4~20mA							
		S2	1~5V, 0~5V							
		Code	Thread(Others, pls specify)							
		T1	M20*1.5							
		T2	1/4 NPT							
		T3	G1/2"							
		Code	Accuracy							
		A1	0.5%FS(typ.)							
		A2	1%FS							
		Code	Connector (Others, pls specify)							
		C1	Cable directly							
		C2	Hirschman connection							
		C3	Air plug connection							
		L	Length of wire, pls specify							
		Code	Others							
		E	Exia II CT6							
		V	Anti-vibration							
		P	Anti-pressure impact							
		O	Others(pls specify)							
MBC-2	0~6MPa	G	V	S1	T1	A1	C2	L5m	EVP	

ADD: NO.2 Shenma Road, Maqun Science Park, Nanjing, Jiangsu Province, China.

TEL: (0086) 025-85300032, FAX: (0086) 025-85329493

E-mail: angela.zou@govagroup.com(M.T. 18951021368); senniehs@govagroup.com(M.T.18752007602)



Order Note

1. The material of measuring medium should be compatible with the stainless steel. If it is corrosive, pls specify its material in detail.
2. Please note in the order if you need zero pressure as negative pressure.
3. Please note it in detail if your application environment is critical or the elements which may influence the pressure transmitter normal operation existed.
4. The structure and demension of the pressure transmitter can be used for most of the application occasions, if your application space is too small or having other requirements to the transmitters, please specify it in detail.
5. All specifications are subject to change. Contact Gaohua for specifications and engineering drawings that are critical to your application. Drawings contained in this document are for reference only.

ADD: NO.2 Shenma Road, Maqun Science Park, Nanjing, Jiangsu Province, China.

TEL: (0086) 025-85300032, FAX: (0086) 025-85329493

E-mail: angela.zou@govagroup.com(M.T. 18951021368); senniehs@govagroup.com(M.T.18752007602)