

**MB400 Industrial Pressure Transmitter****Features**

- LCD and LED indicator optional;
- Reverse signal polarity, moment overcurrent, overvoltage and Interference protection;
- Anti- lightning, Anti- jamming;
- Optional signal output;
- Customized design is acceptable.

**Introduction**

MB400 Industrial Pressure Transmitter adopts piezoresistive OEM all-welded pressure sensor as a sensing element and the amplifier circuit transforms sensor signal into standard output signal. Through long-term aging and stability testing, its performance is stable and reliable.

Widely used in process control field of petroleum, chemical industry, metallurgy, engineering machinery, hydraulic/pneumatic systems, power, boiler, automatic checkout system, shipping, railway transportation, natural gas etc.

**Specification**

Pressure Type	Gauge pressure, Absolute pressure, Sealed gauge pressure.								
Medium	Liquid ,gas, vapor ,which are compatible with SUS304								
Pressure range(MPa)	-0.1	1	1.6	6	10	20	40	60	or customized
Pressure range (bar)	-1	10	16	60	100	200	400	600	or customized
Pressure range (psi)	-14.5	300	700	900	2k	4k	8k	or customized	
Overload range	200%FS								
Bursting pressure	300%FS								
Power Supply	(9~36)VDC								
Output signal	(0~5)V,			(1~5)V,			(4~20)mA		
Transmitting	2-wires,			3-wires,			3-wires,		
Load	$\leq(U-15)/0.02\Omega$ ,			> 100k,			> 100k		
Vibration	10~500Hz 25g								
Shock resistance	50g 11ms								
Accuracy	$\pm 0.5\%$ FS								
Zero temp.drift	$\pm 0.03\%$ FS/°C								
FS temp.drift	$\pm 0.03\%$ FS/°C								

ADD: NO.2 Shenma Road, Maqun Science Park, Nanjing, Jiangsu Province, China.

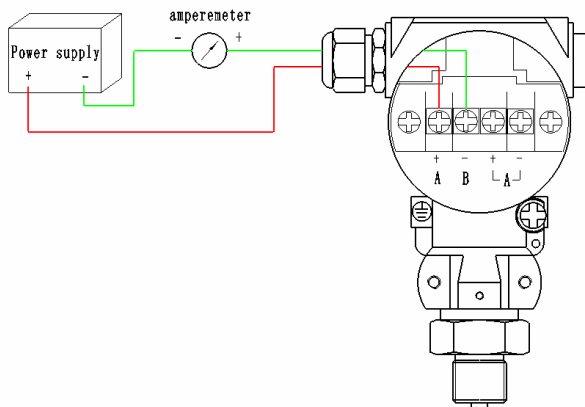
TEL: (0086) 025-85300032, FAX: (0086) 025-85329493

E-mail: angela.zou@govagroup.com( M.T. 18951021368); senniehs@govagroup.com(M.T.18752007602)

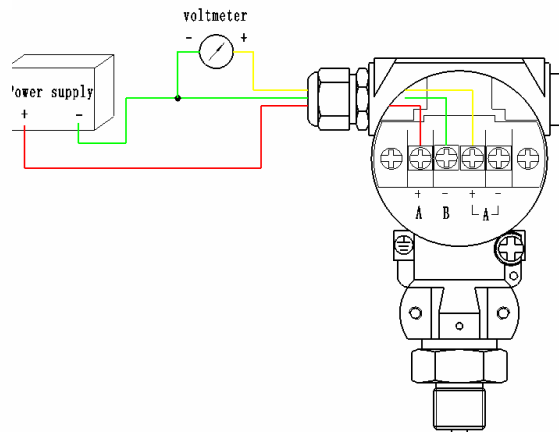
Long-term stability	$\pm 0.2\%FS/Y$
Insulation resistance	250 M $\Omega$ /250V
Medium temp.	(-40~125) °C
Operation temp.	(-40~80) °C
Storage temp.	(-40~125) °C
Compensated temp.	(-10 ~ 70)°C
Housing	SUS304
Diaphragm	SS316L
O-ring	Viton
Protection	IP67

## Electrical Connection

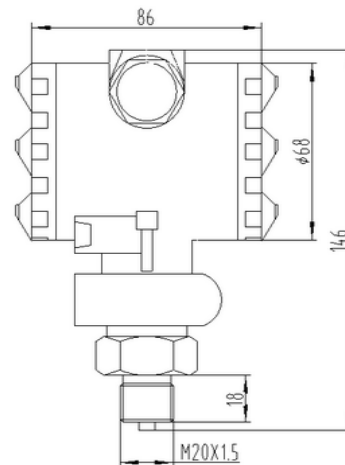
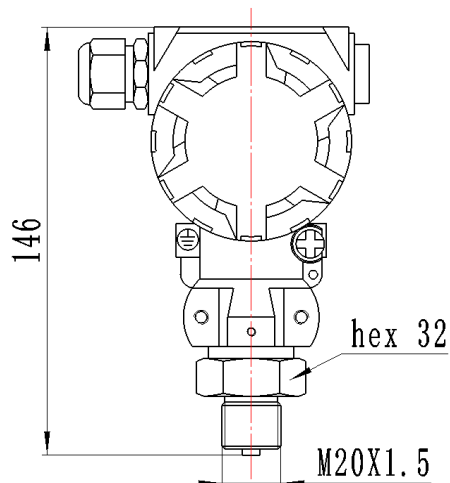
2-wires、4~20mA output:



3-wires、0~5V or 1~5V output:



## Outline Structure (Unit:mm)





**Order Guide**

MB400	Industrial Pressure Transmitter									
	-0.1~60MPa	Pressure range(Unit:Mpa,kpa,psi,bar etc.)								
		Code	Pressure reference							
		A	Absolute pressure							
		G	Gauge pressure							
		S	Sealed gauge pressure							
			Code	Excitation						
			V1	24V						
			V2	12V						
			V3	others (please specify)						
				Code	Output signal					
				S1	4~20mA					
				S2	1~5V					
				S3	0~5V					
				S4	others (please specify)					
					Code	Pressure connection				
					C1	M20*1.5				
					C2	G1/2"				
					C3	others (please specify)				
					Code	Electrical connection				
					J1	direct cable connection				
					J2	others (please specify)				
						Code	Accuracy			
						P1	0.1%FS			
						P2	0.25%FS			
						P3	0.5%FS(typ.)			
						P4	1%FS			
							S	Others(Please specify)		
MB400	0~1MPa	G	V1	S1	C1	J1	P3	S		

**Order Note**

1. Please note lightning-protection in the order if the transmitter is installed in lightning-thunder area; we suggest to install lightning protection device to protect transducer and power;
2. When you select the pressure range for the transmitter, please consider about actual measuring pressure and possible elevation pressure. The max. measure pressure had better to be in the pressure range, we would finish pressure elevation in our factory;
3. The transmitter should be installed to pressure port vertically, and indicator should be installed horizontal to operator;
4. When environment temperature is over rated value, please protect LCD indicator.
5. All specifications are subject to change. Contact Gaohua for specifications and engineering drawings that are critical to your application. Drawings contained in this document are for reference only.

ADD: NO.2 Shenma Road, Maqun Science Park, Nanjing, Jiangsu Province, China.

TEL: (0086) 025-85300032, FAX: (0086) 025-85329493

E-mail: angela.zou@govagroup.com( M.T. 18951021368); senniehs@govagroup.com(M.T.18752007602)