

## GW200 Temperature Transducer

### Features

- High-strength stainless steel housing, impact resistant, high Pressure resistance
- High precision, good stability, good anti-interference ability
- Multiple connection modes, multiple output signals
- Customized structures are available.



### Application

- Engineering machinery, cars
- Oil and Chemical industry
- Automatic checkout industry
- Shipping, railway transportation
- Wind power generation
- Supply heating
- Hydraulic pressure, Air compressor and Pumps



### Introduction

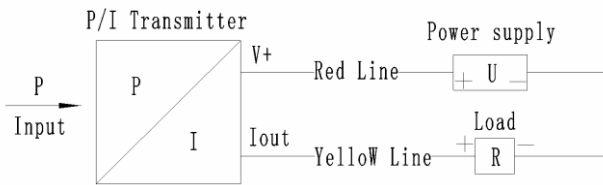
GW200 integrated temperature transmitter is composed of temperature sensor, compensation circuit and switch circuit, which is characterized by stability, high sensitivity and high reliability etc. The transmitter with all-welded construction and high-strength housing is widely used in automatic temperature measure control system of petroleum machinery, chemical machinery, pump and compressor, electricity, boiler, natural gas etc.

### Specification

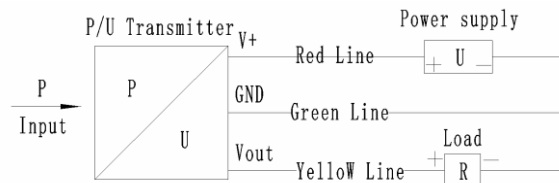
Measuring Medium	The gas, liquid which is compatible with 1Cr18Ni9Ti stainless steel
Temperature range	-50°C ~ +300°C
Output signal	4mA ~ 20mA 、 1V ~ 5V、 0V ~ 5V
Accuracy	0.5%FS
Power Supply	12VDC ~ 36VDC
Working temp.	-40°C ~ 85°C
Relative humidity	5% ~ 95%
Long term stability	0.2%FS/Y

### Electrical Connection

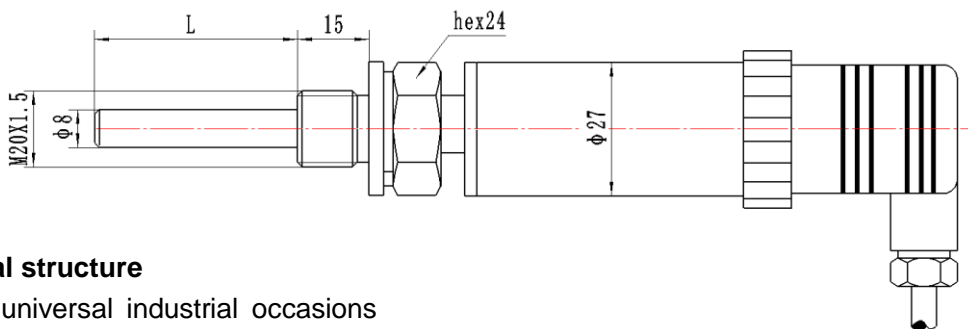
2-wires, 4~20mA output:



3-wires, 0~5V or 1~5V output:

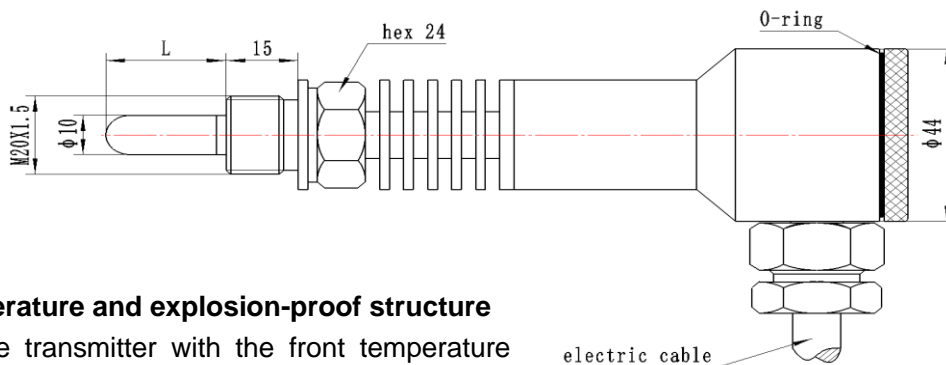


### Outline Structure



#### Universal structure

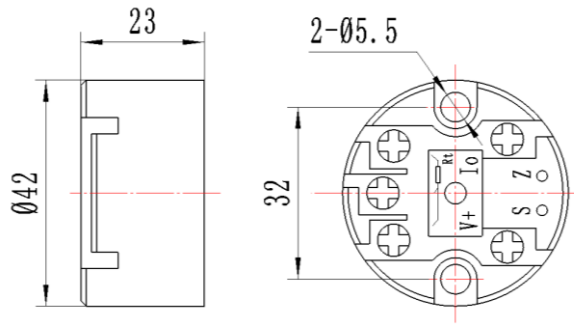
Used in universal industrial occasions and lab temperature measurement.



#### High temperature and explosion-proof structure

Temperature transmitter with the front temperature detector for air-cooling fin .Used for high temperature measurement and calibration.

Its explosion-proof performance guarantee that it can be used in inflammable gas environment.



**PT100 amplifier module**  
Easily for connected with PT100.

### Order Guide

GW200	Temperature Transmitter						
	0-300°C	Measured Temperature range					
		Code	Power supply				
		V1	24V				
		V2	12V				
		Code	Output signal (pls specify)				
		S1	4~20mA				
		S2	1~5V				
		Code	Connection (pls specify)				
		C0	Unfixed apparatus				
		C1	Flange				
		C2	Thread				
		Code	Diameter of external protecting tube				
		F1	Φ 6				
		F2	Φ 8				
		F3	Φ 10				
		F4	Φ 16				
		F5	others (please specify)				
		Code	Electrical connection (pls specify)				
		E1	Hirschman connector				
		E2	PG7 connector				
		E3	Aviation connector				
		E4	Cable directly				
		E	Explosion-proof				
		V	Anti-vibration				
		I	Anti-impact				
		L	Length of cable				
GW200	0-300°C	V1	S1	C0	F1	E1	EVIL2m



**Order Note**

1. The material of measuring medium should be compatible with the stainless steel. If it is corrosive, pls specify its material in detail.
2. Please note it in detail if your application environment is critical or the elements which may influence the pressure transmitter normal operation existed.
3. The structure and demension of the transmitter can be used for most of the application occasions, if your application space is too small or having other requirements to the transmitters, please specify it in detail.
4. All specifications are subject to change. Contact Gaohua for specifications and engineering drawings that are critical to your application. Drawings contained in this document are for reference only.