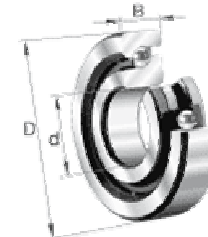
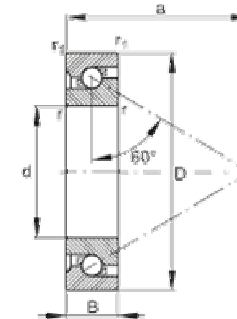
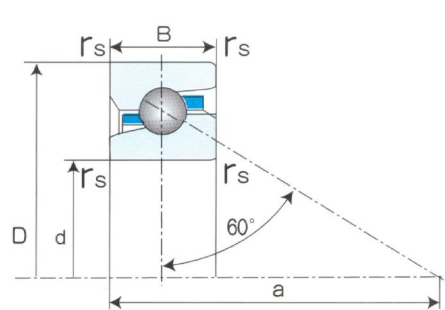


Screw drive bearing-BS series:BS series(Non-ISO metric).Ball screw bearing is single direction angular contact ball bearing with 60 degree.The bearing can bear axial load in single direction and certain radial load. the bearings is mainly installed on ball screw of machine tool feed systems,two to four row arrangements are used in common ways.The back-to-back duplex arrangement is commonly used because it allows acquisition of the specified preload by tightening the inner ring. The face-to-face duplex arrangement may be used if more precise alignment is required. Or universal ground set combination bearings are also available(Suffix G),this permits the use of random combinations where two or more bearings are mounted. ball screw support bearings are generally lubricated with grease especially the double seals one packed with grease before sending.



Model Number	Dimensions			Limiting speed		Material (Cage)	Weight (kg) Approx
	d	D	B	Basic load rating	Lubrication		
				Cr Cor	Grease Oil		
BS1547	15	47	15	21.5 27	11000	PA	-
BS1747	17	47	15	21.5 27	11000	PA	-
BS2047	20	47	15	19.3 25	11000	PA	-
BS2562	25	62	15	28.5 41.5	8000	PA	-
BS3062	30	62	15	26 39	8000	PA	-
BS3072	30	72	15	31 54	7000	PA	-
BS3572	35	72	15	30 50	7000	PA	-
BS4072	40	72	15	28 49	7000	PA	-
BS4090	40	90	20	50 83	5300	PA	-
BS4575	45	75	15	28.5 52	6500	PA	-
BS45100	45	100	20	58.8 104	4600	PA	-
BS50100	50	100	20	58.5 104	4600	PA	-
BS5590	55	90	15	32.5 65.5	5300	PA	-
BS55100	55	100	20	40.5 81.5	5000	PA	-
BS55120	55	120	20	60 116	4000	PA	-
BS60120	60	120	20	61 120	3800	PA	-
BS75110	75	110	15	35.5 83	4000	PA	-
BS100150	100	150	22.5	69.5 173	2800	PA	-

Bearings for screw drives

Ball Screw Bearings are composed of Inner rings,Outer Rings,Balls and Cage.

Ring 's Material: Bearing Steel ZGCr15/GCr15

Balls' Material: Carbon chromium steel

Cage Material: TN166.

Angle: 60°contact angle

Tolerance Class: ABEC7,ABEC9 (P4,P2)

Preload: A-Light Preload , B-Medium Preload, C-Heavy Preload

high precision BS75110TN1 angular contact ball screw bearing P4 grade

ball screw support bearing

Screw drive bearing

Axial angular contact ball bearings are available as single, double or triple row ready-to-fit units. They are self-retaining and comprise thick-walled, geometrically stable

The bearing rings are matched to each other such that a defined preload is achieved when the rings are clamped in place using a precision locknut.

<http://medias.in>