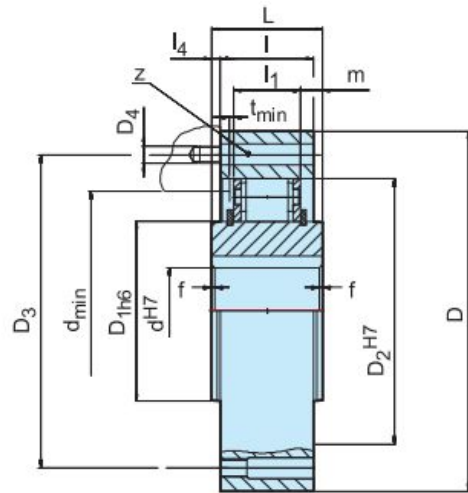


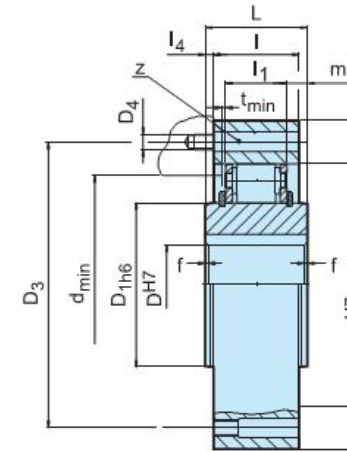
SCI



TYPE



RSCI



Type RSCI is a centrifugal lift off sprag type freewheel with the inner race rotating. Only the inner race is designed for freewheeling. It is a non self-supported type. Bearings must be provided to ensure concentricity of the inner and outer races support axial and radial loads, as shown overleaf. Concentricity and run-out limits must be observed. The RSCI type accepts all types of lubricant currently used in power transmission equipment. It is possible to mount these freewheels directly in gear-boxes without separate lubrication. An oil mist is generally sufficient. Grease lubrication may be acceptable if the unit works mostly in overrunning condition, as on E-motors. When used as a backstop, it must be checked that the overrunning speed will not go below the minimum speed given in the characteristics table.

Type	Model Number	Size	Torgue	Speeds(r/min)			Diameter(mm)					Number	Diameter(mm)										Weight	
		d	TKN1 (Nm)	n max	ni min	ni max	D	D1	D2	D3	D4	z	L	I	I1	I4	fx45	dmin	m	tmin	I2	I3	RSCI	F8
	RSCI20	20	212	315	750	15000	90	36	66	78	M6	6	35	35	25	0	0.8	52	5	1	8	16	1.5	0.3
	RSCI25	25	319	300	725	14000	95	40	70	82	M6	6	35	35	25	0	1	56	5	1	8	16	1.6	0.4
	RSCI30	30	375	290	700	11000	100	45	75	87	M6	6	35	35	25	0	1.5	62	5	1	8	16	1.8	0.4
	RSCI35	35	550	280	670	11000	110	50	80	96	M6	8	35	35	25	0	1.5	66	5	1	8	16	2.1	0.5
	RSCI40	40	800	260	630	8000	125	60	90	108	M8	8	35	35	25	0	1.5	76	5	1	10	21	2.7	0.7
	RSCI45	45	912	255	610	7000	130	65	95	112	M8	8	35	35	25	0	1.5	82	5	1	10	21	2.9	0.9
	RSCI50	50	1400	235	560	6000	150	80	110	132	M8	8	40	40	25	0	1.5	100	7.5	1	10	21	4.3	1
	RSCI60	60	2350	210	510	6000	175	85	125	155	M10	8	60	50	36	5	2	110	12	2	12	35	6.5	1.8
	RSCI70	70	3050	195	470	4000	190	100	140	165	M10	12	60	50	36	5	2	120	12	2	12	35	8.6	1.9

RSCI

RSCI80	80	4500	180	440	4000	210	120	160	185	M10	12	70	60	36	5	2	140	17	3	12	35	12.5	2.6
RSCI80M	80M	5800	155	375	4000	210	120	160	185	M10	12	70	60	46	5	2	140	12	2	12	35	13.1	2.6
RSCI90	90	5600	170	410	3000	230	140	180	206	M12	12	80	70	36	5	2.5	165	22	3	12	35	17.4	3
RSCI90M	90M	8700	145	350	3000	245	140	180	206	M12	12	80	70	46	5	2.5	160	17	2	12	35	18.3	3
RSCI100	100	10500	145	355	3000	290	140	210	258	M16	12	90	80	52.6	5	2.5	180	18.6	3	15	37	28	5
RSCI100M	100M	16000	140	340	2400	290	170	210	258	M16	12	90	80	63	5	2.5	200	13.5	2	12	35	30	5
RSCI130	130	15750	135	330	2400	322	170	240	278	M16	12	90	80	52.6	5	3	210	18.6	3	15	37	35	6
RSCI180	180	31500	115	285	1300	412	240	310	360	M20	12	90	80	53	5	3,5	280	18,6	3	-	-	-	59
RSCI180M	180M	50000	90	220	1300	422	240	310	370	M20	18	120	120	83	0	4	280	18,5	2	-	-	-	92
RSCI180II	180II	63000	115	285	1300	412	240	310	360	M20	24	160	160	118	0	3,5	280	21	3	-	-	-	116
RSCI180II-M	180II-M	100000	90	220	1300	425	240	310	370	M24	24	240	240	176	0	4	280	32	3	-	-	-	190
RSCI220	220	42500	110	265	1100	470	290	360	410	M20	16	105	80	60	12,5	4	330	19,5	3	-	-	-	90
RSCI220M	220M	68000	85	205	1100	480	290	360	410	M24	16	120	120	83	0	4	330	18,5	2	-	-	-	109
RSCI220II	220II	85000	110	265	1100	480	290	360	430	M24	18	160	160	130	0	4	330	15	3	-	-	-	159
RSCI220II-M	220II-M	136000	85	205	1100	490	290	360	425	M30	20	240	240	176	0	4	330	32	2	-	-	-	249
RSCI240	240	52000	105	250	1100	500	320	390	440	M20	16	105	90	60	7.5	4	360	15	2	-	-	-	95
RSCI240M	240M	83000	80	195	1100	520	320	390	440	M24	16	120	120	83	0	4	360	18,5	2	-	-	-	137
RSCI240II	240II	104000	105	250	1100	520	320	390	440	M24	24	180	180	132	0	4	360	24	2	-	-	-	191
RSCI240II-M	240II-M	166000	80	195	1100	530	320	390	455	M30	24	240	240	181	0	4	360	32	2	-	-	-	250
RSCI260	260	65000	100	240	1000	550	360	430	500	M24	16	105	105	60	0	4	400	22,5	2	-	-	-	130
RSCI260M	260M	100000	75	185	1000	580	360	430	500	M24	24	125	125	83	0	4	400	21	2	-	-	-	183
RSCI260II	260II	130000	100	240	1000	580	360	430	500	M24	24	210	210	132	0	4	400	39	2	-	-	-	262
RSCI260II-M	260II-M	200000	75	185	1000	580	360	430	500	M30	24	250	250	176	0	4	400	37	2	-	-	-	369
RSCI300	300	78000	90	225	1000	630	410	480	560	M24	24	105	105	60	0	4	460	22,5	3	-	-	-	174
RSCI300M	300M	125000	70	175	1000	630	410	480	560	M24	24	125	125	83	0	4	460	21	3	-	-	-	210
RSCI300II	300II	156000	90	225	1000	630	410	480	560	M24	24	210	210	134	0	4	460	38	3	-	-	-	351
RSCI300II-M	300II-M	250000	70	175	1000	630	410	480	560	M30	24	250	250	182.6	0	4	460	33,7	3	-	-	-	457