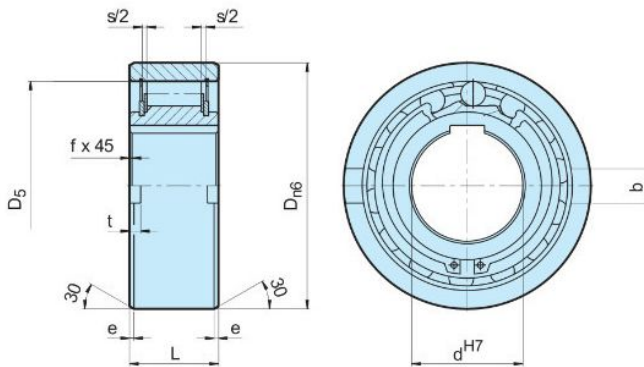


ASNU



Type	Model Number	d	Drag torque	Overrunning Speeds		D	D5	L	b	t	s	e	f	Weight	Drag torque TR
		[mm]	TKN1[Nm]	ni[min^{-1}]	na[min^{-1}]	[mm]	[mm]	[mm]	[mm]	[mm]	[mm]	[mm]	[mm]	[kg]	[Ncm]
ASNU	ASNU08	8	12	3300	5000	35	28	13	4	1.4	2.4	0.6	0.3	0.07	1.6
	ASNU12	12	12	3300	5000	35	28	13	4	1.4	2.4	0.6	0.3	0.06	1.6
	ASNU15	15	30	2400	3600	42	37	18	5	1.8	2.4	0.8	0.3	0.11	1.9
	ASNU17	17	49	2300	3400	47	40	19	5	2.3	2.4	1.2	0.8	0.15	1.9
	ASNU20	20	78	2100	3100	52	42	21	6	2.3	2.4	1.2	0.8	0.19	1.9
	ASNU25	25	125	1700	2600	62	51	24	8	2.8	2.4	1.2	0.8	0.38	5.6
	ASNU30	30	255	1400	2200	72	60	27	10	2.5	2.4	1.8	1	0.54	14
	ASNU35	35	383	1200	1900	80	70	31	12	3.5	2.4	1.8	1	0.74	16
	ASNU40	40	538	1100	1700	90	78	33	12	4.1	2.5	1.8	1	0.92	38
	ASNU45	45	780	1000	1600	100	85	36	14	4.6	2.5	1.8	1	1.31	43
	ASNU50	50	1013	850	1350	110	92	40	14	5.6	2.5	1.8	1	1.74	55
	ASNU60	60	1825	750	1050	130	110	46	18	5.5	3.6	2.6	1.5	2.77	110
	ASNU70	70	2300	600	950	150	125	51	20	6.9	3.6	2.6	1.5	4.16	140
	ASNU80	80	3275	550	850	170	140	58	20	7.5	3.6	2.6	1.5	6.09	180
	ASNU90	90	5325	500	750	190	160	64	20	8	3.6	2.6	2	8.2	230
	ASNU100	100	7250	450	680	215	175	73	24	8.5	3.6	2.6	2	12.6	380
	ASNU120	120	13500	370	550	260	215	86	28	10	3.6	2.6	2.5	22	650
	ASNU150	150	26625	300	460	320	260	108	32	12	3.6	3.6	2.5	42	1000
	ASNU200	200	44500	230	350	420	350	138	45	16	7.6	3.6	3	93	2000
	NFS	NFS08	8	12	3300	5000	35	28	13	4	1.4	2.4	0.6	0.3	0.07
NFS12		12	12	3300	5000	35	28	13	4	1.4	2.4	0.6	0.3	0.06	1.6
NFS15		15	30	2400	3600	42	37	18	5	1.8	2.4	0.8	0.3	0.11	1.9
NFS17		17	49	2300	3400	47	40	19	5	2.3	2.4	1.2	0.8	0.15	1.9
NFS20		20	78	2100	3100	52	42	21	6	2.3	2.4	1.2	0.8	0.19	1.9
NFS25		25	125	1700	2600	62	51	24	8	2.8	2.4	1.2	0.8	0.38	5.6
NFS30		30	255	1400	2200	72	60	27	10	2.5	2.4	1.8	1	0.54	14
NFS35		35	383	1200	1900	80	70	31	12	3.5	2.4	1.8	1	0.74	16
NFS40		40	538	1100	1700	90	78	33	12	4.1	2.5	1.8	1	0.92	38
NFS45		45	780	1000	1600	100	85	36	14	4.6	2.5	1.8	1	1.31	43
NFS50		50	1013	850	1350	110	92	40	14	5.6	2.5	1.8	1	1.74	55
NFS60		60	1825	750	1050	130	110	46	18	5.5	3.6	2.6	1.5	2.77	110
NFS70		70	2300	600	950	150	125	51	20	6.9	3.6	2.6	1.5	4.16	140
NFS80		80	3275	550	850	170	140	58	20	7.5	3.6	2.6	1.5	6.09	180
NFS90		90	5325	500	750	190	160	64	20	8	3.6	2.6	2	8.2	230
NFS100		100	7250	450	680	215	175	73	24	8.5	3.6	2.6	2	12.6	380
NFS120		120	13500	370	550	260	215	86	28	10	3.6	2.6	2.5	22	650
NFS150		150	26625	300	460	320	260	108	32	12	3.6	3.6	2.5	42	1000
NFS200		200	44500	230	350	420	350	138	45	16	7.6	3.6	3	93	2000

Type ASNU is a roller type freewheel nonbearing supported. Bearings are required to support axial and radial loads. Lubrication and sealing must also be provided by the installation. Nominal outer diameter is the same as a series 63...Ball bearing. A typical arrangement is to install this type alongside a bearing within the same location tolerances, as shown on the following page. The inner race is keyed to the shaft.

The outer race has positive n6 tolerance, to give a press fit in a H7 housing. Additional side notches in the outer race provide for positive torque transmission.

If the housing is to K6 tolerance, use of the notches is not necessary, but the housing must be strong enough to not expand after assembly. This design can accept an axial misalignment of inner and outer race of $\pm S/2$.

MOUNTING EXAMPLE

