



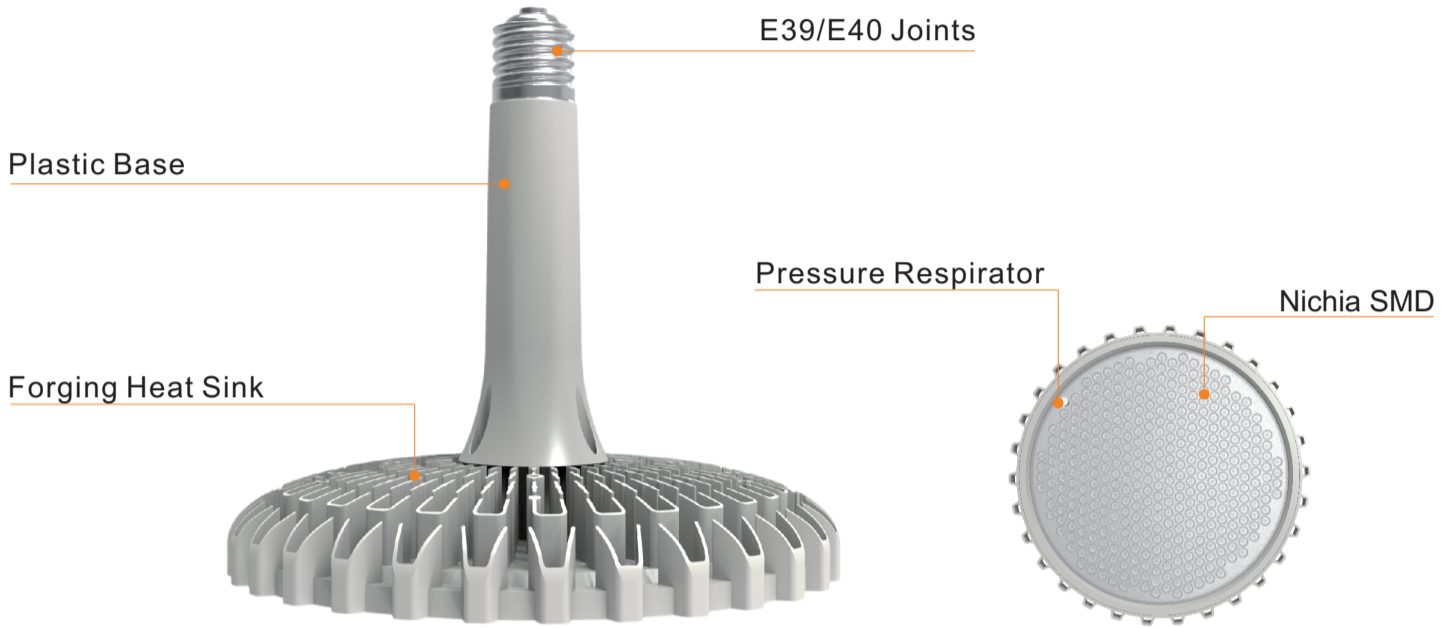
Product Specification

150W LED High Bay Light

YHL-ID-150-HB-VE



Structure Diagram



Product Specification

Model	YHL-ID-150-HB-VE
CRI	>70
CCT	4700-5300K (2700-3300K Optional)
Luminous Flux	>19500 lm
Beam Angle	120°(60° or 90°)
HID Replacment (based on Philips)	300W
Net Weight	1.8kg±0.4kg
Ligh Body Package Outer Dimensions	1pc: L370mm x W320mm x H90mm

Power	150W
Fixture Material	Aluminum Alloy
Light Efficiency	≥130 lm/W
IP Level	IP65
Input Voltage	AC 100-277V
Outlook Dimensions	L280mm x W280mm x H260mm
Lifetime	≥50000 Hrs
Working Temperature (Environment)	-40°C - +60°C

Installation Instruction



E39/E40 Joints



Hook Mounted

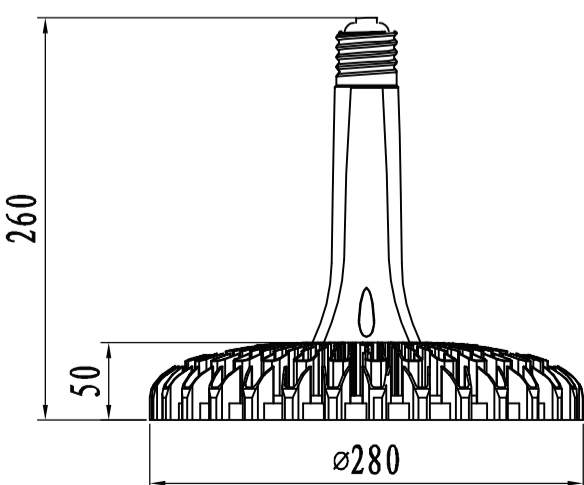


Plate Mounted



Pole Mounted

Dimension Diagram



Unit: mm

Installation Instruction

