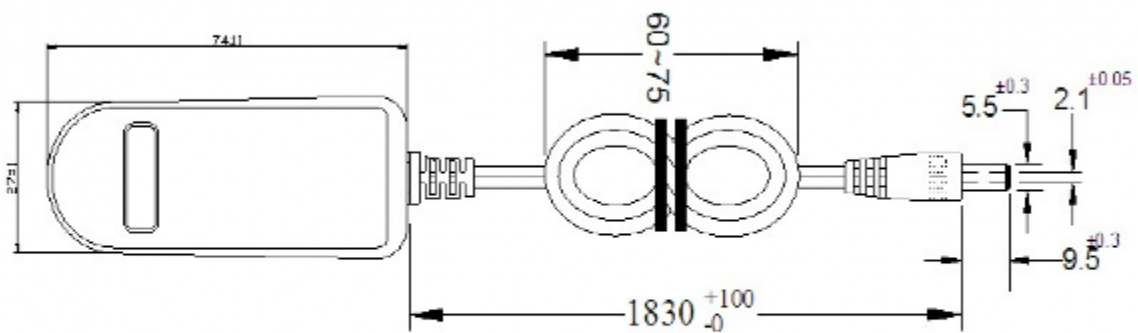
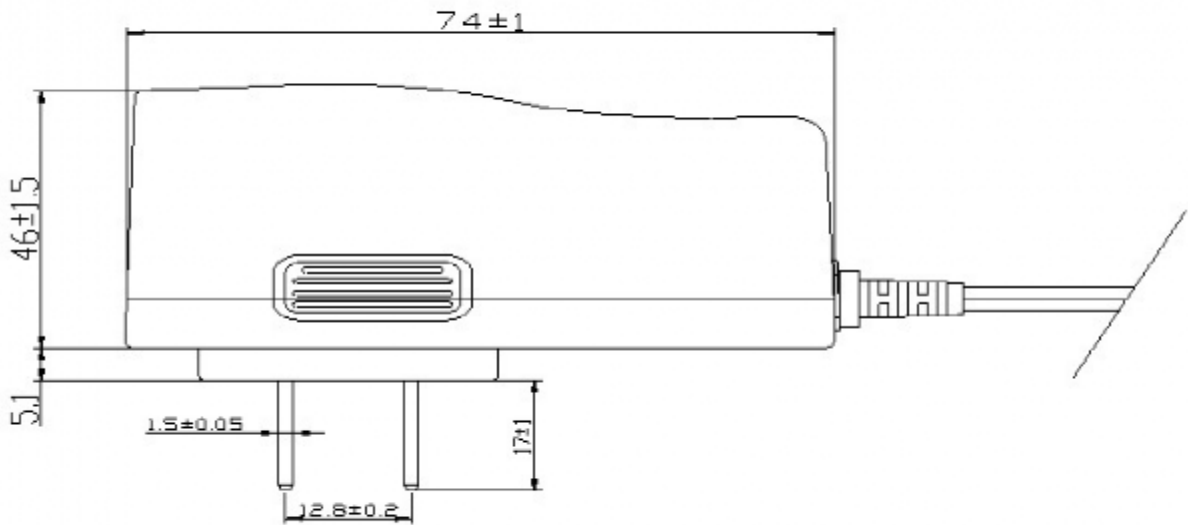


5V 3A 15W Wall Type AC Adapter

Features:

- Universal AC input / Full range
- Protections: Short circuit / Over current
- Cooling by free air convection
- Small and compact size
- 100% full load burn-in test
- Low cost, high reliability





Specification:

Model		JYH32-0503 000	JYH32-12012 50	JYH32-15010 00	JYH32-20075 00
Output	Voltage	5.0-8.9V	9.0-13.5V	13.6-17.9V	18.0-24.0V
	Current	0 - 1.5A	0 - 0.8A	0 - 0.5A	0 - 0.4A
	Power (max.)	15W	15W	15W	15W
	Ripple & noise (max.)	100mVp-p	100mVp-p	100mVp-p	100mVp-p
	Efficiency	70%	70%	70%	70%
	Voltage tolerance	±5.0%			
	Line regulation	±1.0%			
	Load regulation	±1.0%			
	Setup, rise time	100ms / 115VAC at full load			
	Hold up time	30ms/115VAC at full load			
Input	Voltage range	90 ~ 264VAC			
	Frequency range	47 ~ 63Hz			
	AC Current (max.)	0.4A/115VAC	0.2A/230VAC		
	Inrush current(max.)	COLD START 30A/115VAC 60A/230VAC			

Protection	Over current	120% ~ 150% type; TYPE: cut output reset: automatic recovery
	Over voltage	120% ~ 150% type; TYPE: cut output reset: automatic recovery
	Short circuit	TYPE: cut output reset: automatic recovery
Environment	Working temp.	0°C ~ 40°C
	Working humidity	20% ~ 80% R.H non-condensing
	Storage temp.,humidity	-20°C ~ 70°C 20% ~ 90% R.H
Safety & EMC	Dielectric Strength Hi-Pot	Primary to secondary:3000Vac 10mA; Primary to shell:1500Vac 10mA; shell to secondary:1500Vac 10mA
	Insulation resistance	Primary to secondary, Primary to shell, shell to secondary; >100M Ohms / 500VDC
	Leaking current	0.25mA / 240VAC
	Safety standard	UL GS SAA KCC BSI PSE CCC
	EMC Standards	CE EN55022B FCC
	Green mode	Noload Power Consumption Less Than 0.3W
Others	MTBF	50000hrs min. MIL-HDBK-217F (25)
	Dimension	74*45*30mm (L*W*H)
	Weight	80g/pcs





